

DIPACO

CUMMINS
AFC / CELECT / PT / VS
FUEL INJECTION SYSTEMS
PARTS CATALOG

Updated April 2010

ADDRESS

DIPACO, Inc.
12693 Old Virginia Rd.
Reno, Nevada 89521 USA
Phone: 775.329.7511
Fax: 775.329.9740
Toll Free Phone: 800.648.4720
Toll Free Fax: 888.320.7761
E-Mail: sales@dipaco.com
Internet: www.dipacodtech.com

WHAT WE OFFER

- Providing quality fuel injection parts since 1948
- Comprehensive warranty
- Competitive pricing
- Excellence in customer service
- Company representation before and after sales
- Multi-skilled staff
- Extended trading hours
- Toll free phone and fax ordering
- Full technical support
- Quality commitment
- Superior quality inventory
- Same day shipping

INFORMATION

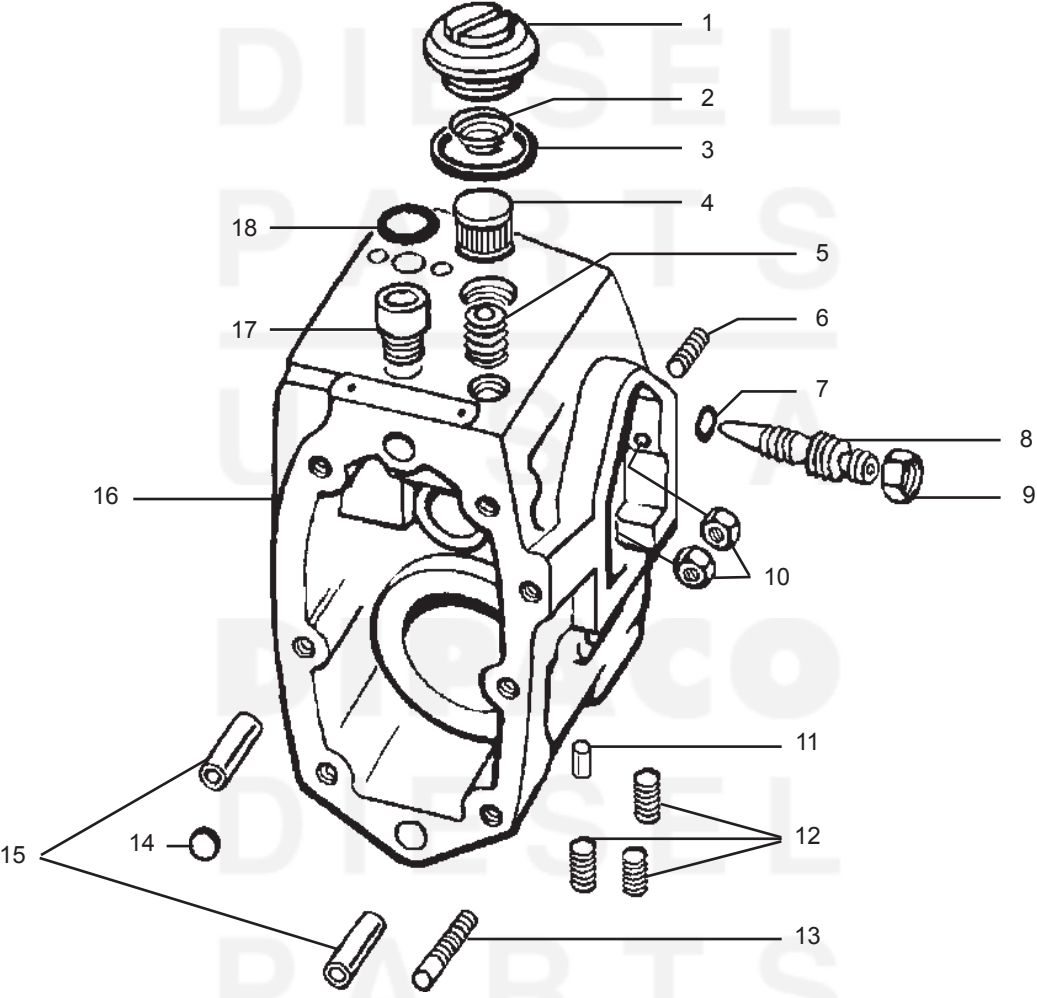
Copyright
DIPACO, Inc. 2010. No part of this publication may be reproduced in any form by any means without written permission.

This catalog is in digital format to allow for continuous updating as we add additional parts. For current part availability, please consult our current price list or contact DIPACO or your DIPACO distributor.

This catalog is for reference purposes only. DIPACO assumes no responsibility or liability for any errors or inaccuracies that may appear in this publication. All mention of OEM names and part numbers are for reference only.

SUBJECT	PAGE
AFC	Section 1
Pump Housing.....	1-1
Front Cover.....	1-3
Throttle Assembly.....	1-5
Valve Assembly.....	1-5
Dual Spring Valve Assembly.....	1-5
PTG	Section 2
Pump Housing.....	2-1
Front Cover.....	2-3
Throttle Assembly.....	2-5
VS	Section 3
Typical Pump Housing.....	3-1
Typical Front Cover.....	3-3
Typical Upper Spring Pack.....	3-5
Governor	Section 4
Standard Governor Spring Pack.....	4-1
VS Governor Spring Pack.....	4-1
Governor Assembly.....	4-1
Fuel Shutdown Valve Assembly	Section 5
Gear Pump and Damper Assembly	Section 6
Celect™ Fuel System	Section 7
STC Valve	Section 8
Valve with Diphragm.....	8-1
Valve with Gasket.....	8-3
Torque Modifying Device	Section 9
Injector Assembly	Section 10
PTD Injector Assembly.....	10-1
Top Stop Injector Assembly.....	10-3
5/16 PTD Injector Assembly.....	10-5
K-PTD Injector Assembly.....	10-7
NT-STC Injector Assembly.....	10-9
K-STC Injector Assembly.....	10-11
L-10 Injector Assembly.....	10-13
Governor Spring Pack	Section 11
Governor Plungers And Assemblies	Section 12
Torque Control Springs	Section 13
Injector Plunger And Barrel	Section 14
Injector Cups.....	14-3
Injector Orifices.....	14-3
Pump Torque Specifications	Section 15
Kits	Section 16
STC And Celect™ Service Repair Kits.....	16-1
PTG Gasket And Overhaul Kits.....	16-3
AFC Gasket And Overhaul Kits.....	16-5
O Ring Identification Sheet.....	16-7
Calibration Kits.....	16-9
PTG Gasket Set And Special DIPACO Overhaul Gasket Kit Contents.....	16-11
AFC Gasket Set And Special DIPACO Overhaul Gasket Kit Contents.....	16-13
Front Cover and Main Shaft Seal Information	Section 17

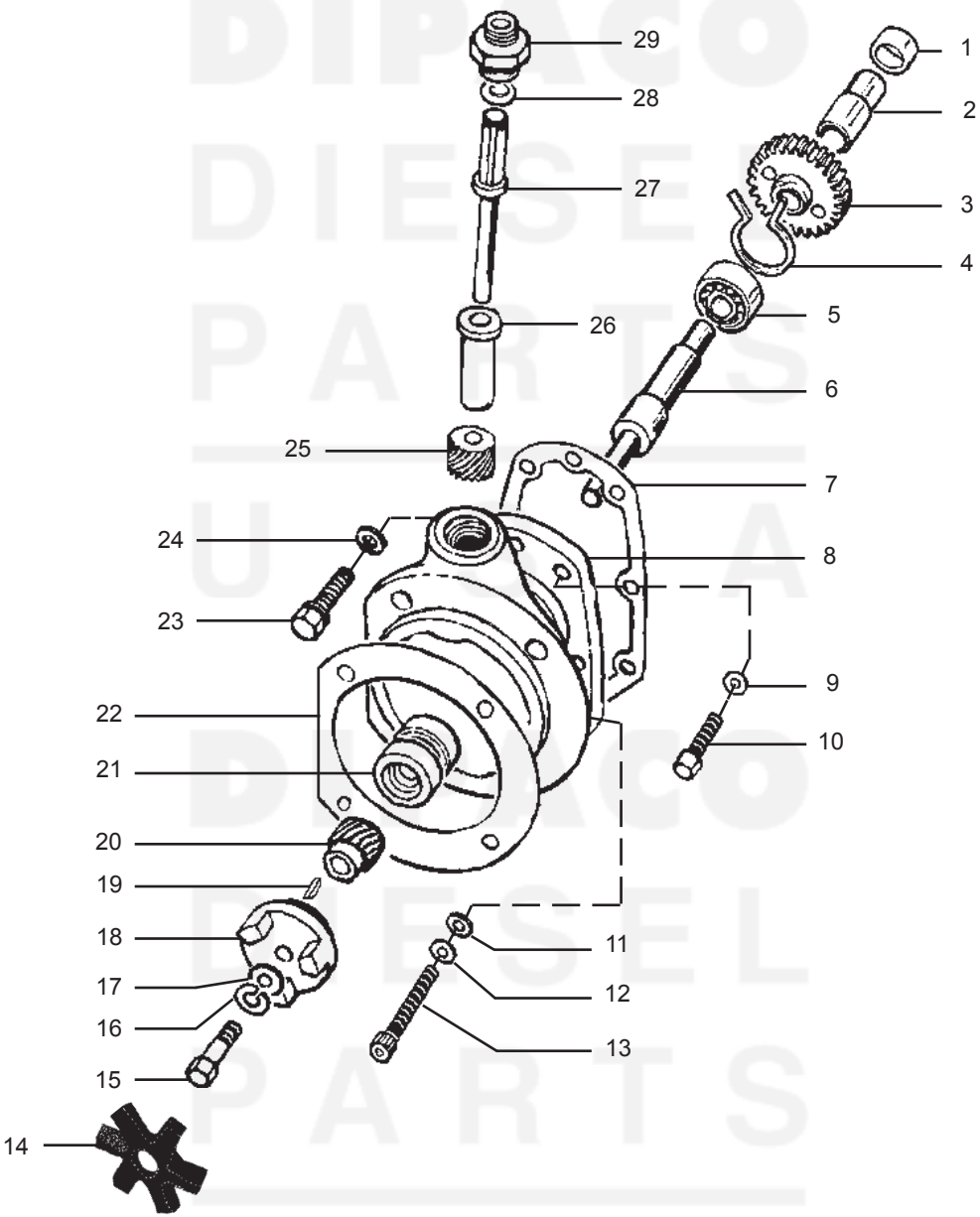
CUMMINS FUEL INJECTION SYSTEMS AFC Pump Housing



CUMMINS FUEL INJECTION SYSTEMS AFC Pump Housing

REF	PART	DESCRIPTION	QTY
1	157088	CAP, FUEL PUMP FILTER	1
2	70700	SPRING, FILTER	1
3	154088	O RING	1
4	146483	FILTER SCREEN WITH MAGNET	1
4	137808	FILTER SCREEN W/O MAGNET	1
4	149767	FILTER SCREEN MVS	1
4	200743	FILLER SCREEN WITH MAGNET	1
5	68607	PIPE PLUG	1
6	195755	SET SCREW	1
7	68061A	O RING	1
8	214144	NEEDLE VALVE	1
9	S248	NUT, NEEDLE VALVE	1
10	S251	NUT, ADJUSTING SCREW	2
11	163733	ROLL PIN	1
12	3025460	PIPE PLUG	3
13	3046407	SETSCREW	1
14	214139	BALL PLUG	1
15	118227	DOWEL	2
16	3059632	PUMP HOUSING (VENTED)	1
17	3018888	CONNECTOR (SHORT)	1
17	3020850	CONNECTOR (LONG)	1
18	154087	O RING	1

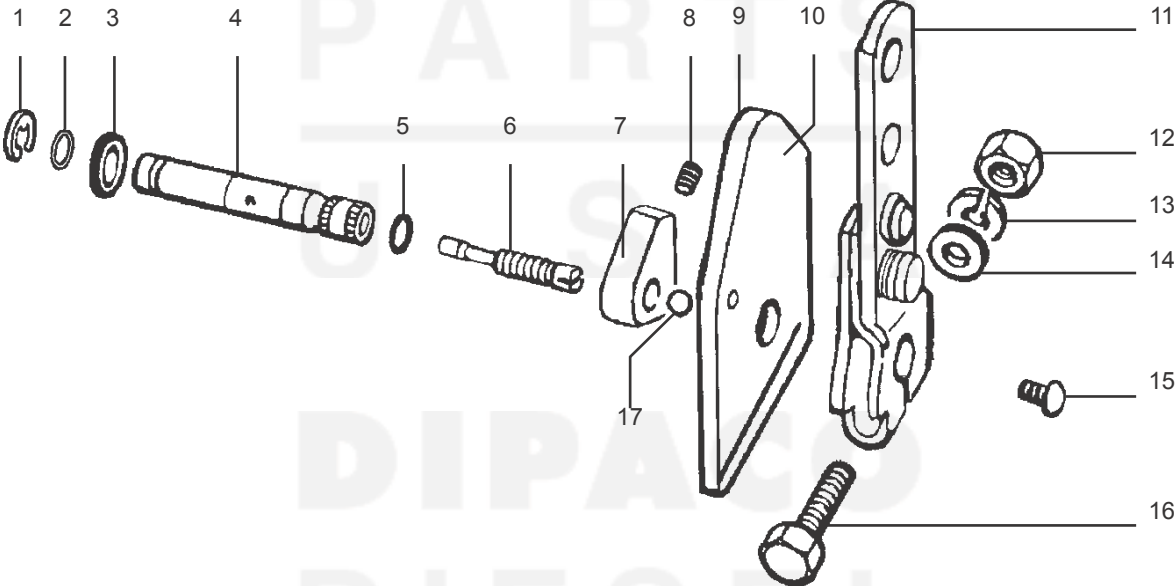
CUMMINS FUEL INJECTION SYSTEMS AFC Front Cover

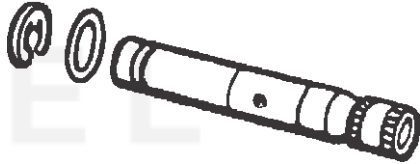




REF	PART	DESCRIPTION	QTY	REF	PART	DESCRIPTION	QTY
1	100193	BUSHING	1	-	3803676	CONVERSION KIT	
2	212639	DRIVE COUPLING	1		3075524	HOUSING	1
3	212605	DRIVE GEAR	1		3075523	SEAL	1
4	212604	RETAINER	1		3062676	SEAL	1
5	S16052	BEARING	1				
6	212601	MAIN DRIVE SHAFT	1	-	DPE890015	FRONT COVER SEAL KIT	1
7	100764	GASKET W/O BLEED HOLE	1		100764	GASKET, FRONT COVER	1
7	3063052	GASKET WITH BLEED HOLE	1		212601	SHAFT, AFC MAIN	1
8	3063054	FRONT COVER, OLD STYLE (*See Note)	1		3062676	SEAL (Metal Case - Green Coat)	2
8	3075524	FRONT COVER, NEW STYLE (*See Note)	1		212603	SEAL, AFC TACH SHAFT	1
9	70704	WASHER	4		212607	SHAFT, AFC TACH	1
10	3017051	CAPSCREW	3		3018682	CAPSCREW	1
11	103089	WASHER	2		3000446	COVER, AFC THROTTLE SHAFT	1
12	S606	LOCK WASHER	2		3069103	GASKET, FUEL PUMP MOUNT	1
13	118226	CAPSCREW	2		163945	SNAP RING, THROTTLE SHAFT	1
14	162426	SPIDER (Black)	1		S2286	SCREW, NAMEPLATE MOUNTING	2
14	3046200	SPIDER (White) NYLON	1		162426	SPIDER (Black)	1
15	S110	CAPSCREW	1		100478	O RING, VITON	1
16	S605	LOCK WASHER	1		DPE30200	DECAL	1
17	146160	WASHER	1		3063052	GASKET	1
18	212613	DRIVE COUPLING	1				
19	212668	KEY	1				
20	212602	TACH DRIVE GEAR (RH)	1				
20	216906	TACH DRIVE GEAR (LH)	1				
21	3062676	SEAL (Metal Case, Green Coated) (*See Note)	2				
21	3009625	SEAL (Metal Case) (*See Note)	2				
21	3075523	SEAL (New Style Front Cover) (*See Note)	2				
22	3069103	GASKET	1				
23	3018682	CAPSCREW, SEALING	1				
24	70704	WASHER	4				
25	212610	GEAR, TACH SHAFT (RH) [**Assy]	1				
25	216911	GEAR, TACH SHAFT (LH) [**Assy]	1				
26	212609	BUSHING	4				
27	212607	TACH SHAFT	1				
28	212603	SEAL	1				
29	3002110	ADAPTER	1				
-	3040815	PLUG, TACH DRIVE	1				
-	3040817	O RING, TACH DRIVE PLUG	1				
-	3015665	**TACH DRIVE ASSEMBLY (RH)	1				
	212607	TACH SHAFT	1				
	212609	BUSHING	1				
	212610	TACH SHAFT GEAR (RH)	1				
-	216913	**TACH DRIVE ASSEMBLY (LH)	1				
	212607	TACH SHAFT	1				
	212609	BUSHING	1				
	216911	TACH SHAFT GEAR (LH)	1				

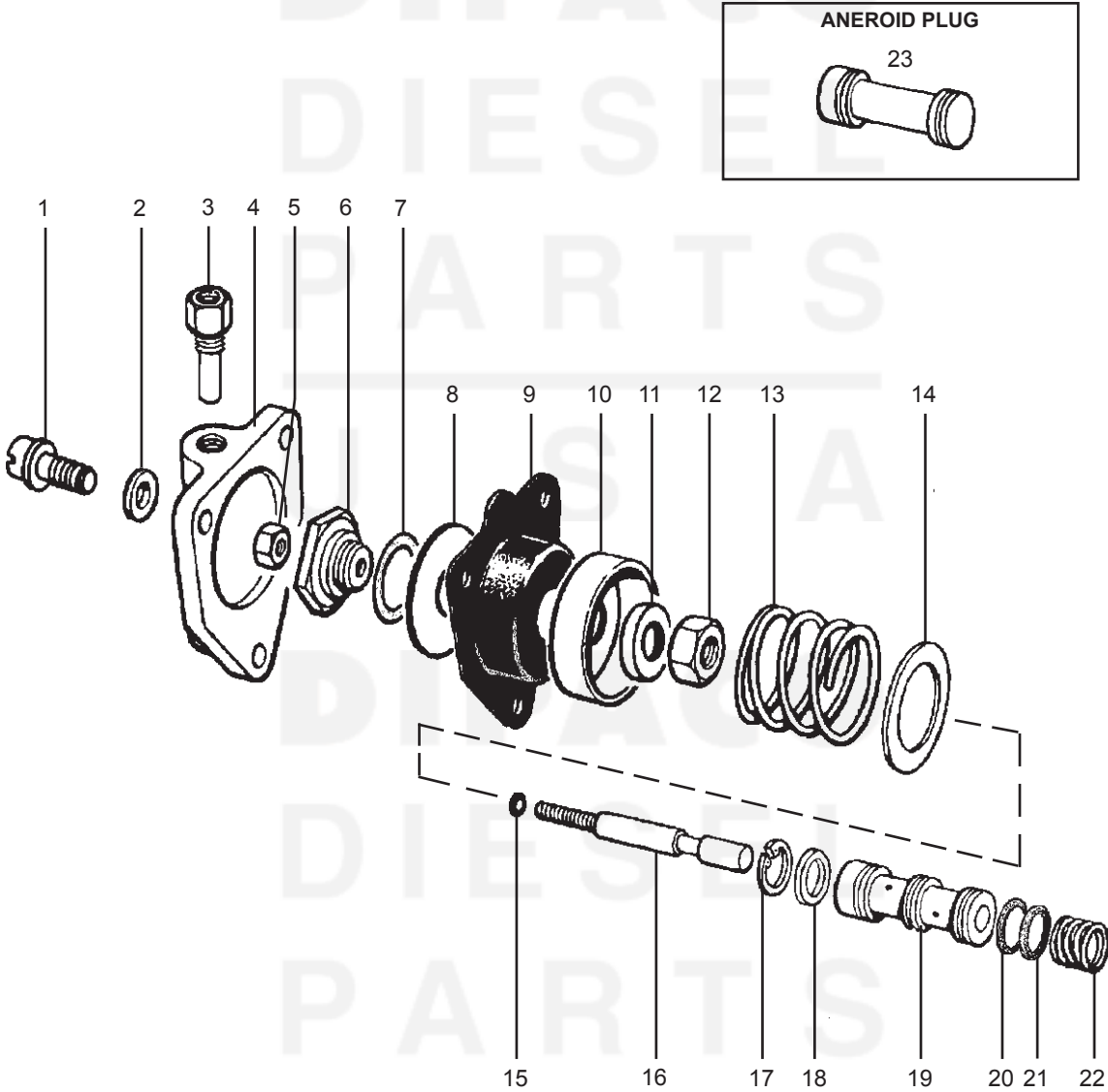
***NOTE: Front Cover and Main Shaft Seal Bulletin, refer to page 86 and 87.**

CUMMINS FUEL INJECTION SYSTEMS AFC Throttle Assembly



REF	PART	DESCRIPTION	QTY	
1	163945	RETAINER	1	
2	DPE46680	SHIM .005 (*See Note)	A/R	<p>*Note: Throttle Shaft Shims-Over time the throttle shaft retainer will wear against the pump housing. This wear increases the amount of lateral travel the shaft can have. This increased travel coupled with the small slit on the throttle shaft can cause poor throttle response.</p>  <p>To correct for the housing wear we are introducing two shims for use on the throttle shaft. The part numbers are DPE46680 for a .005" shim and DPE46680A for a .010" shim. If needed, one or more of these shims should be placed on the throttle shaft inside of the retainer. These shims will compensate for housing wear and allow for correct throttle action.</p> <p>**Note: Throttle Shaft Identification-In the past throttle leakage adjustment has been very sensitive to flow setting and adjusting screw position or wear. In order to reduce sensitivity and thereby increase stability the shape of the throttle shaft port was changed.</p> <div style="display: flex; justify-content: space-around; align-items: center;"> <div style="text-align: center;">  <p>OLD "SLOT" DESIGN</p> </div> <div style="text-align: center;">  <p>NEW "SLIT" DESIGN</p> </div> </div> <p>The simplest way to identify the change is to differentiate between the "slit" and "slot" designs. The "slot" is the previous design where the port was set into a channel. The new "slit" design has a fine groove coming from the shaft port. The "slit" design throttle shaft now requires about three times as much movement of the shaft as the "slot" design required to achieve the same flow.</p> <p>DIPACO carries both the old design and new designs of the 0.173" port size throttle shafts. The old throttle shaft was the 3006350 series. The new throttle shafts are the 3046680 series. The 3006440 series high output throttle shaft with a 0.250" port size is the slot design.</p>
2	DPE46680A	SHIM .010 (*See Note)	A/R	
3	100478	O RING	1	
4	3046680	THROTTLE SHAFT (**See Note) [***Assembly-See Below] (Slit - New Style) SERIES 0-15	1	
4	3006350	THROTTLE SHAFT (**See Note) [***Assembly-See Below] (Slot - Old Style) SERIES 0-15	1	
4	3006360	THROTTLE SHAFT (**See Note) [***Assembly-See Below] (High Output) SERIES 0-7	1	
5	213768	O RING	1	
6	3076040	ADJUSTING SCREW (Nylok Insert)	1	
7	3006343	STOP	1	
8	3006344	SET SCREW	1	
9	3000446	THROTTLE SHAFT COVER	1	
10	DPE30200	DECAL	1	
11	3048296	THROTTLE LEVER (Short)	1	
11	3048294	THROTTLE LEVER (Long)	1	
-	3024169	RETURN SPRING		
12	S251	NUT, JAM	1	
13	S600	LOCK WASHER	1	
14	70704	WASHER	1	
15	S2286	DRIVE SCREW	2	
16	S195B	CAPSCREW	1	
17	213769	CHECK BALL (Steel)	1	
17	213769N	CHECK BALL (Nylon)	1	
4	3006430	***THROTTLE ASSY (Slit) SERIES 0 -15	1	
	3046680	THROTTLE SHAFT	1	
	213769	CHECK BALL (Steel)	1	
	3076040	ADJUSTING SCREW (Nylok Insert)	1	
	213768	O RING	1	
	100478	O RING	1	
4	3006440	***THROTTLE ASSY (High Output) SERIES 0 - 7	1	
	3006360	THROTTLE SHAFT	1	
	213769	CHECK BALL (Steel)	1	
	3076040	AJUSTING SCREW (Nylok Insert)	1	
	213768	O RING	1	
	100478	O RING	1	

CUMMINS FUEL INJECTION SYSTEMS AFC Valve Assembly



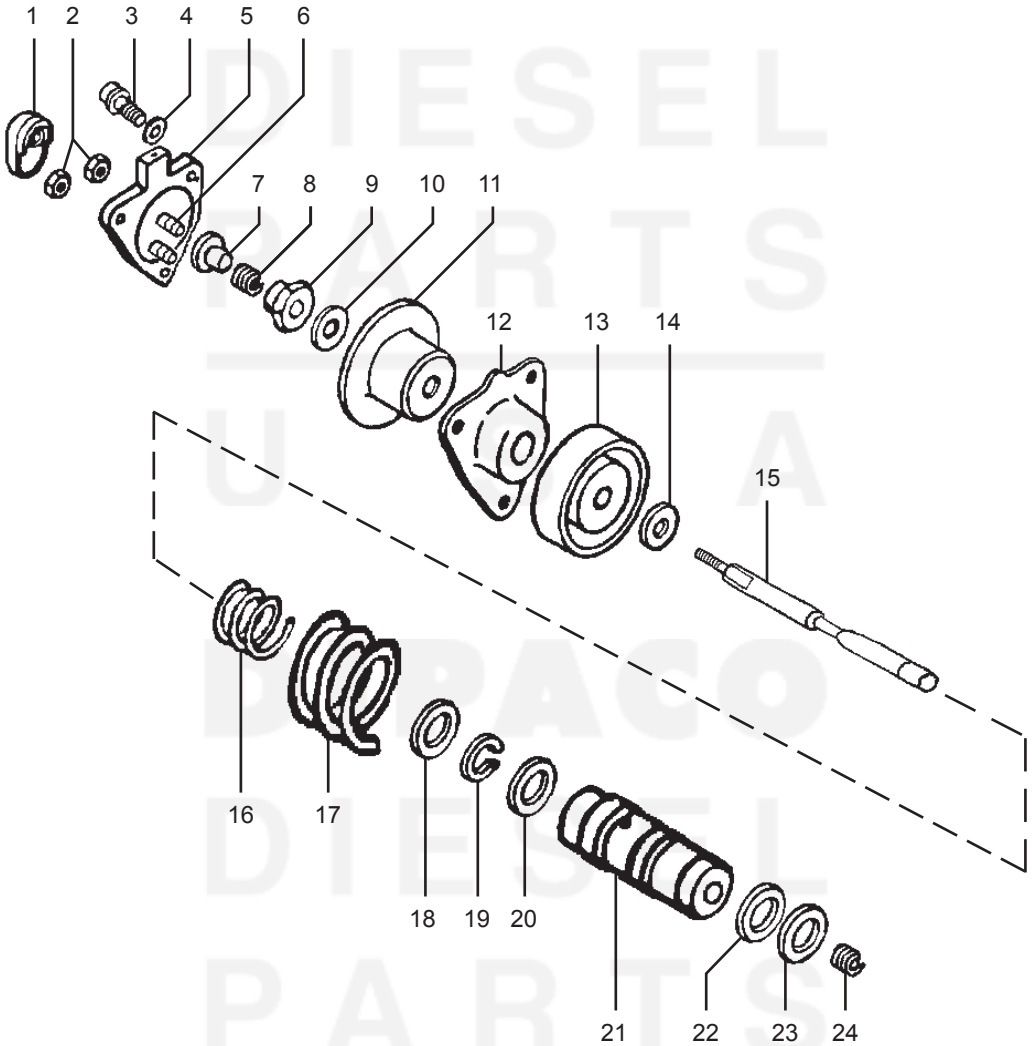
REF	PART	DESCRIPTION	QTY	REF	PART	DESCRIPTION	QTY
1	70772B	CAPSCREW	3	16	3020739-6	AFC VENTED ANEROID PLUNGER (.3750")	1
2	S631	WASHER	3	17	S16240	SNAP RING	1
3	3015522	CHECK VALVE	1	18	3042542	O RING (Brown Viton)	1
-	S1098	SEAL SLEEVE (Not Shown)	1	19	3021068	ANEROID BARREL	1
4	3015520	COVER	1	20	3045986	O RING (Brown Viton)	1
5	S251	JAM NUT	1	21	3066914	O RING (Brown Viton)	1
6	3023171	CENTER BOLT (*See Note)	1	22	3018655	SPRING	1
7	3023870	WASHER (*See Note)	1	23	3000438	ANEROID PLUG	1
-	3044942	CENTER BOLT O RING, (*See Note)	1	-	3028347	ANEROID PLUG KIT	1
8	214150	RETAINER	1		3000438	PLUG	1
9	3013811S	DIAPHRAGM (Silicone)	1		3042542	O RING	1
10	3013810	PISTON	1		3045986	O RING	1
11	3023088	PISTON RETAINER	1				
12	S213A	NUT, JAM	1				
13	179804	SPRING (White)	1				
13	179806	SPRING (Orange)	1				
13	179808	SPRING (Purple)	1				
13	179816	SPRING (Blue/White)	1				
13	179818	SPRING (Blue/Orange)	1				
13	179820	SPRING (Blue/Purple)	1				
13	179822	SPRING (White/Green)	1				
13	179824	SPRING (White/Red)	1				
13	179826	SPRING (White/Yellow)	1				
13	179828	SPRING (Green/Red)	1				
13	179830	SPRING (Green/Yellow)	1				
13	179832	SPRING (Orange/Purple)	1				
13	179834	SPRING (Red/Purple)	1				
13	179836	SPRING (Purple/Yellow)	1				
13	3000592	SPRING (Light Green)	1				
13	3007692	SPRING (Light Blue/Green)	1				
13	3007694	SPRING (Light Blue/Red)	1				
13	3007696	SPRING (Light Blue/Yellow)	1				
13	3007698	SPRING (Green/White)	1				
13	3069608	SPRING (Green/Purple)	1				
14	3001707	SHIM	1				
15	68061A	O RING	1				
16	3021676-0	ANEROID PLUNGER (.3738")	1				
16	3021676-1	ANEROID PLUNGER (.3740")	1				
16	3021676-2	ANEROID PLUNGER (.3742")	1				
16	3021676-3	ANEROID PLUNGER (.3744")	1				
16	3021676-4	ANEROID PLUNGER (.3746")	1				
16	3021676-5	ANEROID PLUNGER (.3748")	1				
16	3021676-6	ANEROID PLUNGER (.3750")	1				
16	3020739-0	VENTED ANEROID PLUNGER (.3738")	1				
16	3020739-1	AFC VENTED ANEROID PLUNGER (.3740")	1				
16	3020739-2	AFC VENTED ANEROID PLUNGER (.3742")	1				
16	3020739-3	AFC VENTED ANEROID PLUNGER (.3744")	1				
16	3020739-4	AFC VENTED ANEROID PLUNGER (.3746")	1				
16	3020739-5	AFC VENTED ANEROID PLUNGER (.3748")	1				

***Note: Cummins AFC Barrel and Plunger Sealing Changes**
Cummins has made a change to their AFC Barrel and Plunger assemblies. The center bolt, part number 3023171, now has an o-ring groove for sealing purposes. The new o-ring for this application is part number 3044942.

You may encounter either style bolt which is listed under the same part number 3023171. When you encounter the old style center bolt you must use the sealing gasket, part number 3023870. When you encounter the new style center bolt with the o-ring groove you can use either the old style gasket, or the new style o-ring for sealing purposes.

DIPACO includes both the sealing gasket, part number 3023870, and sealing o-ring part number 3044942, in our Overhaul Gasket Kits.

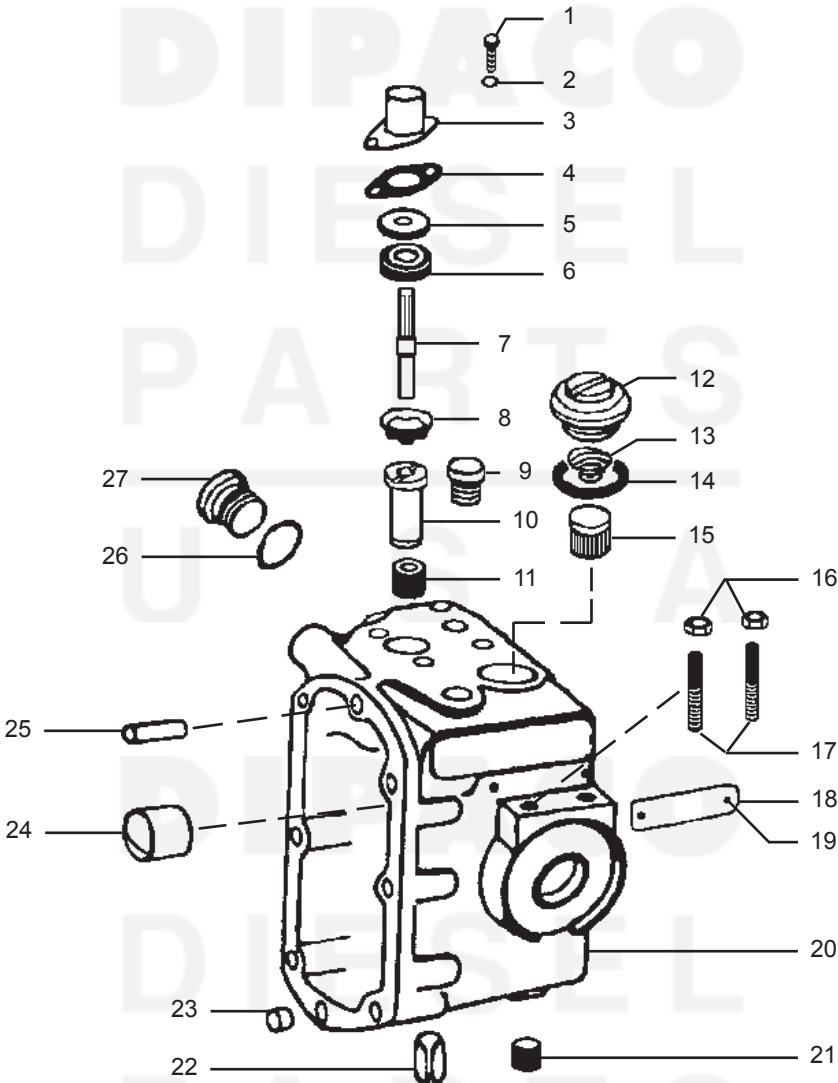
CUMMINS FUEL INJECTION SYSTEMS AFC Dual Spring Valve Assembly



CUMMINS FUEL INJECTION SYSTEMS AFC Dual Spring Valve Assembly

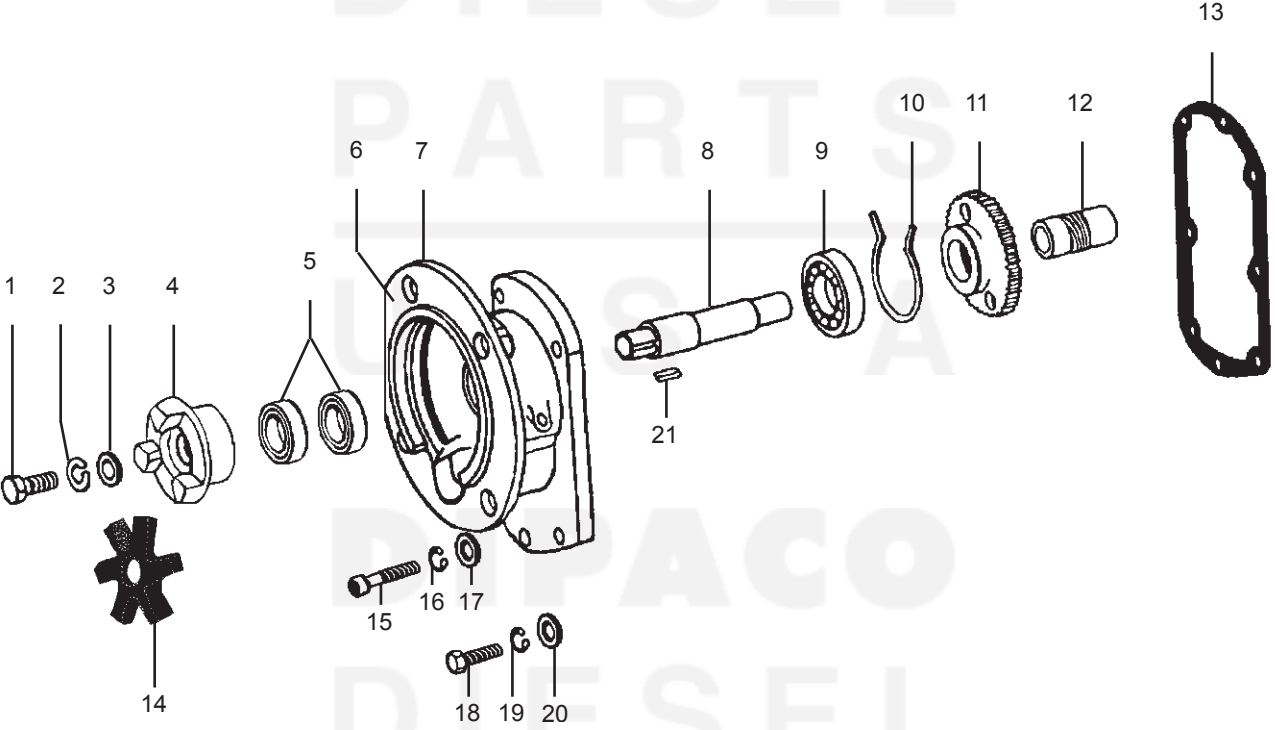
REF	PART	DESCRIPTION	QTY	REF	PART	DESCRIPTION	QTY
1	3058868	COVER, PROTECTIVE	1	**	3058944	PLUNGER AND BARREL ASSY	1
2	3029301	NUT, LOCKING	2	**	3067834	PLUNGER AND BARREL ASSY, SHAPED PORT	1
3	70772B	CAPSCREW	3	**	3074225	PLUNGER AND BARREL ASSY, SHAPED PORT	1
4	S631	WASHER	3	**	3077526	PLUNGER AND BARREL ASSY, SHAPED PORT	1
5	3058867	COVER, FUEL CONTROL	1	REFERENCE CUMMINS SERVICE PARTS TOPIC 94T5-5			
6	109917	CAPSCREW	2				
7	3049041	RETAINER, SPRING	1				
8	3067831	SPRING, COMPRESSION	1				
9	3051461	NUT, LOCKING	1				
10	3051463	WASHER	2				
11	3047276	PISTON, AFC	1				
12	3013811	DIAPHRAGM (Rubber)	1				
12	3013811S	DIAPHRAGM (Silicone)	1				
13	3047278	PISTON, AFC	1				
14	3051463	WASHER, PLAIN	2				
15	3067832	** PLUNGER, AFC	1				
16	3051069	BIAS SPRING (Yellow/Red)	1				
16	3051070	BIAS SPRING (Red/Green)	1				
16	3051071	BIAS SPRING (Green)	1				
16	3051072	BIAS SPRING (Purple)	1				
16	3051073	BIAS SPRING (Blue)	1				
16	3051074	BIAS SPRING (White)	1				
16	3051075	BIAS SPRING (Red)	1				
16	3051076	BIAS SPRING (Yellow)	1				
16	3054526	BIAS SPRING (Orange)	1				
16	3056072	BIAS SPRING (Blue/White)	1				
16	3056073	BIAS SPRING (Red/White)	1				
16	3067831	BIAS SPRING (Yellow/White)	1				
16	3068170	BIAS SPRING (Purple/Yellow)	1				
16	3069609	BIAS SPRING (Green/Purple)	1				
16	3071704	BIAS SPRING (Blue/Yellow)	1				
16	3071947	BIAS SPRING (Orange/White)	1				
16	3071948	BIAS SPRING (Orange/Red)	1				
16	3071949	BIAS SPRING (Orange/Purple)	1				
16	3071950	BIAS SPRING (Orange/Green)	1				
16	3071951	BIAS SPRING (Orange/Yellow)	1				
16	3071952	BIAS SPRING (Purple/White)	1				
17	SEE PAGE 11	AFC SPRING (REF #13)	1				
18	3070713	SHIM, AFC .005"	1				
18	3070714	SHIM, AFC .010"	1				
18	3070715	SHIM, AFC .020"	1				
18	3071007	SHIM, AFC .060"	1				
18	3001707	SHIM, AFC .015"	1				
19	S16240	RING, RETAINER	1				
20	3042542	O RING	2				
21	3067833	** BARREL, AFC	1				
22	3066914	O RING	1				
23	3045986	O RING	1				
24	3018655	SPRING, COMPRESSION	1				

CUMMINS FUEL INJECTION SYSTEMS PTG Pump Housing



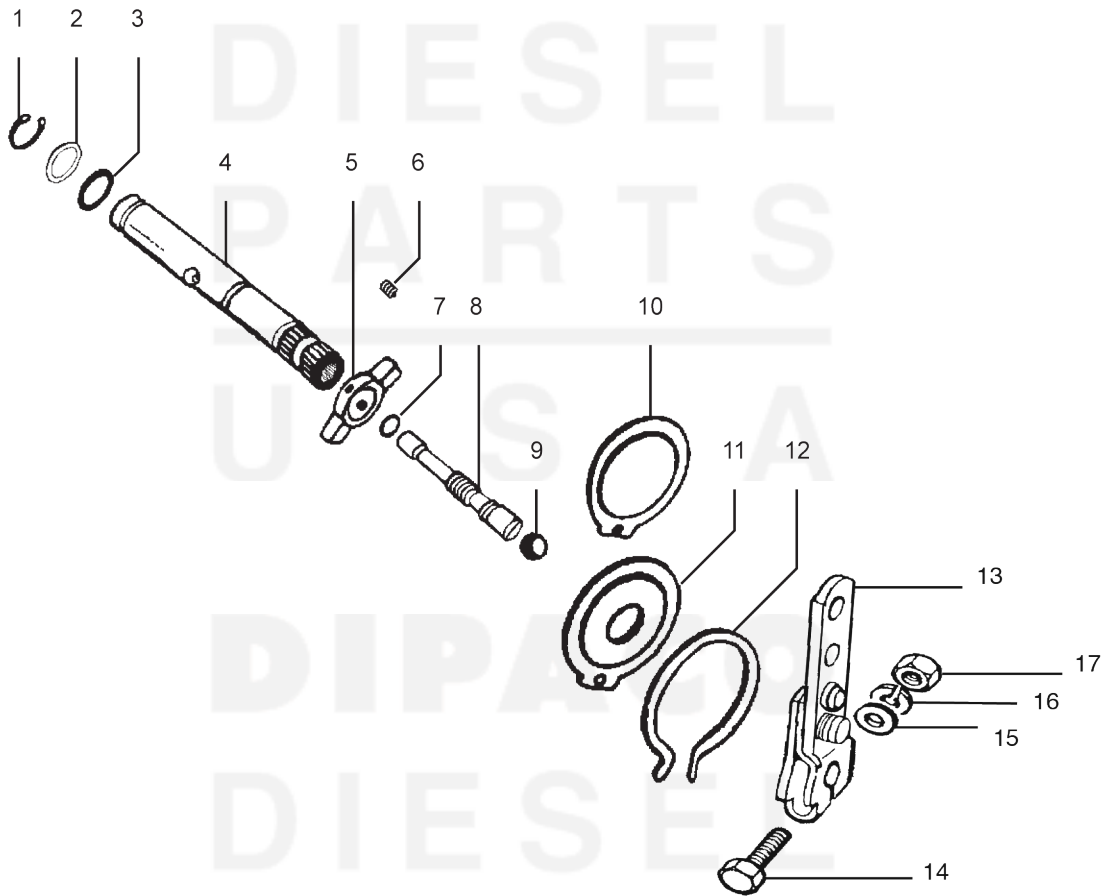
REF	PART	DESCRIPTION	QTY
1	70772A	SCREW	2
2	127018	WASHER	2
3	155445	TACH SHAFT HOUSING	1
4	70732	GASKET	1
5	210218	FELT WASHER	1
6	70809	SEAL	1
7	104087	TACH SHAFT	1
8	189638	SPACER	1
9	112076	PLUG	1
10	70723	BUSHING	1
11	101981	GEAR, RH DRIVE	1
11	70720	GEAR, LH DRIVE	1
12	157088	CAP, FUEL PUMP FILTER	1
13	70700	SPRING, FILTER	1
14	154088	SQUARE CUT O RING	1
15	146483	FILTER SCREEN WITH MAGNET	1
16	S251	NUT, LOCKING	2
17	109915	ADJUSTING SCREW (Mech Gov)	2
17	175578	ADJUSTING SCREW (MVS Gov)	2
18	105375	NAMEPLATE	1
19	S2286	DRIVE SCREW	2
20	-	PUMP HOUSING	1
21	200635	PLUG	1
22	163733	ROLL PIN	1
23	118227	DOWEL	2
24	100193	BUSHING	1
25	68549	DOWEL	1
26	43696A	O RING	1
27	139473	PLUG	1

CUMMINS FUEL INJECTION SYSTEMS PTG Front Cover

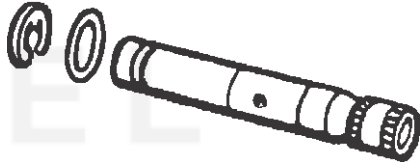




REF	PART	DESCRIPTION	QTY
1	69793	CAPSCREW	1
2	S604	LOCK WASHER	1
3	108330	WASHER	1
4	101918	DRIVE COUPLING	1
5	3062676	SEAL (Metal Case - Green Coat)	2
5	3009625	SEAL (Metal Case)	2
5	104038	SEAL (Metal Case - Double Lip)	2
6	3069103	MOUNTING GASKET	1
7	139668	FRONT COVER	1
8	100192	MAIN DRIVE SHAFT	1
9	S1650	MAIN SHAFT BEARING	1
10	70699	RETAINER	1
11	103036	DRIVE GEAR	1
12	101983	TACH DRIVE GEAR (RH)	1
12	100205	TACH DRIVE GEAR (LH)	1
13	100764	GASKET W/O BLEED HOLE	1
14	162426	SPIDER (Black)	1
14	3046200	SPIDER (White) NYLON	1
15	118226	CAPSCREW	2
16	S606	LOCKWASHER	2
17	103089	WASHER	2
18	S105C	CAPSCREW	4
19	S600	LOCKWASHER	4
20	70704	WASHER	4
21	68174	KEY	1

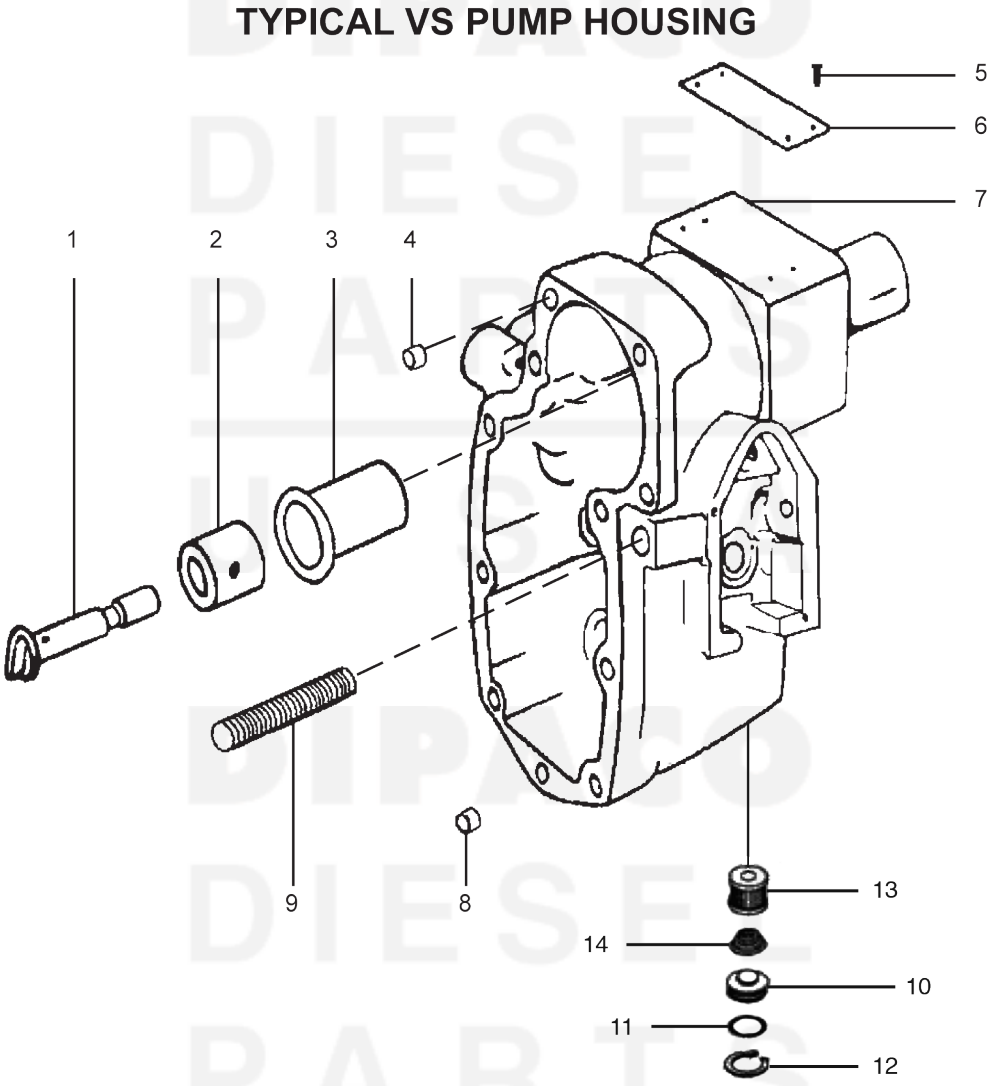
CUMMINS FUEL INJECTION SYSTEMS PTG Throttle Assembly



CUMMINS FUEL INJECTION SYSTEMS PTG Throttle Assembly

REF	PART	DESCRIPTION	QTY	
1	163945	SNAP RING	1	
2	DPE46680	SHIM .005"	A/R	<p>*Note: Throttle Shaft Shims-Over time the throttle shaft retainer will wear against the pump housing. This wear increases the amount of lateral travel the shaft can have. This increased travel coupled with the small slit on the throttle shaft can cause poor throttle response.</p>  <p>To correct for the housing wear we are introducing two shims for use on the throttle shaft. The part numbers are DPE46680 for a .005" shim and DPE46680A for a .010" shim. If needed, one or more of these shims should be placed on the throttle shaft inside of the retainer. These shims will compensate for housing wear and allow for correct throttle action.</p> <p>**Note: Throttle Shaft Identification-In the past throttle leakage adjustment has been very sensitive to flow setting and adjusting screw position or wear. In order to reduce sensitivity and thereby increase stability the shape of the throttle shaft port was changed.</p> <div style="display: flex; justify-content: space-around; align-items: center;"> <div style="text-align: center;">  <p>OLD "SLOT" DESIGN</p> </div> <div style="text-align: center;">  <p>NEW "SLIT" DESIGN</p> </div> </div> <p>The simplest way to identify the change is to differentiate between the "slit" and "slot" designs. The "slot" is the previous design where the port was set into a channel. The new "slit" design has a fine groove coming from the shaft port. The "slit" design throttle shaft now requires about three times as much movement of the shaft as the "slot" design required to achieve the same flow.</p> <p>DIPACO carries both the old design and new designs of the 0.173" port size throttle shafts. The old throttle shaft was the 3006350 series. The new throttle shafts are the 3046680 series.</p>
2	DPE46680A	SHIM .010"	A/R	
3	100478	O RING	1	
4	3006350	THROTTLE SHAFT (**See Note) [***Assembly - See Below] (Slot - Old Style) SERIES 0-15	1	
4	3046680	THROTTLE SHAFT (**See Note) [***Assembly - See Below] (Slit - New Style) SERIES 0-15	1	
5	3006342	STOP	1	
6	3006344	SETSCREW	1	
7	213768	O RING	1	
8	3076040	SETSCREW	1	
9	213769	CHECK BALL (Steel)	1	
9	213769N	CHECK BALL (Nylon)	1	
10	148977	THROTTLE SHAFT COVER, STANDARD	1	
11	100765	THROTTLE SHAFT COVER, MVS GOVERNOR	1	
12	S16206	SNAP RING	1	
13	3048296	THROTTLE LEVER (Short)	1	
13	3048294	THROTTLE LEVER (Long)	1	
-	3024169	RETURN SPRING	1	
14	S195B	CAPSCREW	1	
15	70704	WASHER	1	
16	S600	WASHER	1	
17	S251	NUT	1	
-	DAR12530-0	THROTTLE SHAFT KIT SERIES 0 - 15	1	
	3006350	THROTTLE SHAFT	1	
	100478	O RING	1	
	3006342	STOP	1	
	3006344	SET SCREW	1	
	213768	O RING	1	
	3076040	ADJUSTING SCREW (Nylok Insert)	1	
	213769	CHECK BALL (Steel)	1	
-	3006430	***THROTTLE ASSEMBLY KIT SERIES 0 -15	1	
	3046680	THROTTLE SHAFT	1	
	213769	CHECK BALL (Steel)	1	
	3076040	ADJUSTING SCREW (Nylok Insert)	1	
	213768	O RING	1	
	100478	O RING	1	

CUMMINS FUEL INJECTION SYSTEMS Typical VS Pump Housing

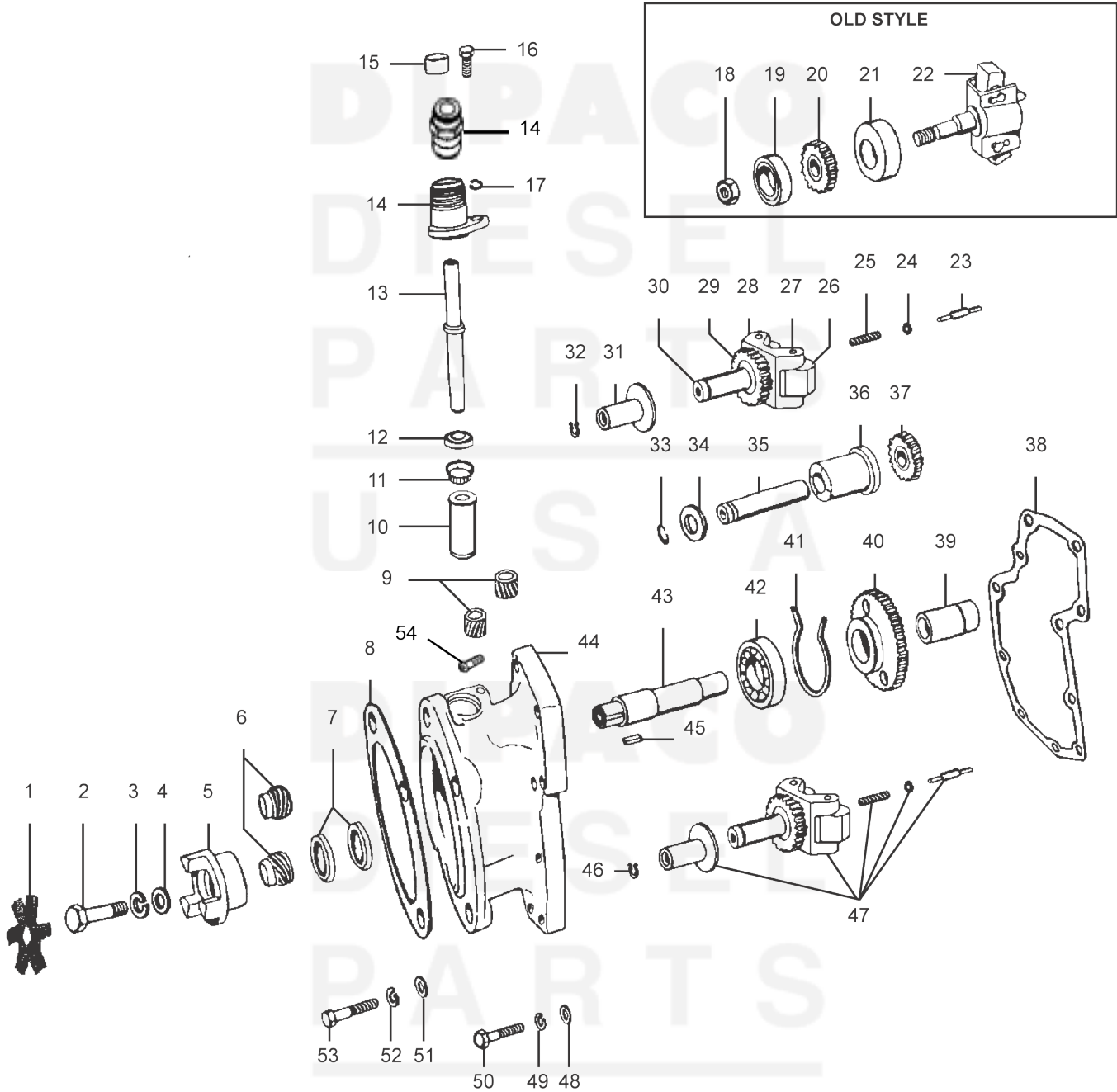


CUMMINS FUEL INJECTION SYSTEMS Typical VS Pump Housing

REF	PART	DESCRIPTION	QTY
1	DAR40240	GOVERNOR PLUNGER ASSY	1
-	70690	DRIVER (T Shape)	1
-	3035230	THRUST WASHER	1
-	213610	GOVERNOR PLUNGER	1
1	DAR40230	GOVERNOR PLUNGER ASSY	1
-	70690	DRIVER (T Shape)	1
-	3035230	THRUST WASHER	1
-	212350	GOVERNOR PLUNGER	1
1	3027830	GOVERNOR PLUNGER ASSY	1
-	70690	DRIVER (T Shape)	1
-	3035230	THRUST WASHER	1
-	3018640	GOVERNOR PLUNGER	1
1	3278670	GOVERNOR PLUNGER ASSY	1
-	70690	DRIVER (T Shape)	1
-	3035230	THRUST WASHER	1
-	3278180	GOVERNOR PLUNGER	1
2	3045212	BARREL	1
3	108384	SLEEVE PACK	1
4	118227	DOWEL RING	2
5	S2286	DRIVE SCREW	4
6	105375	NAMEPLATE	1
7	*	PUMP HOUSING, AFC	1
8	118227	DOWEL RING	2
9	3046407	SETSCREW	1
10	201007	PLUG	1
11	3042542	O RING	1
12	128807	RETAINING RING	1
13	146483	FILTER	1
14	70700	SPRING	1

*Due to the number of parts available for this housing assembly consult Cummins Parts Topic 94T5-10 or contact DIPACO customer service.

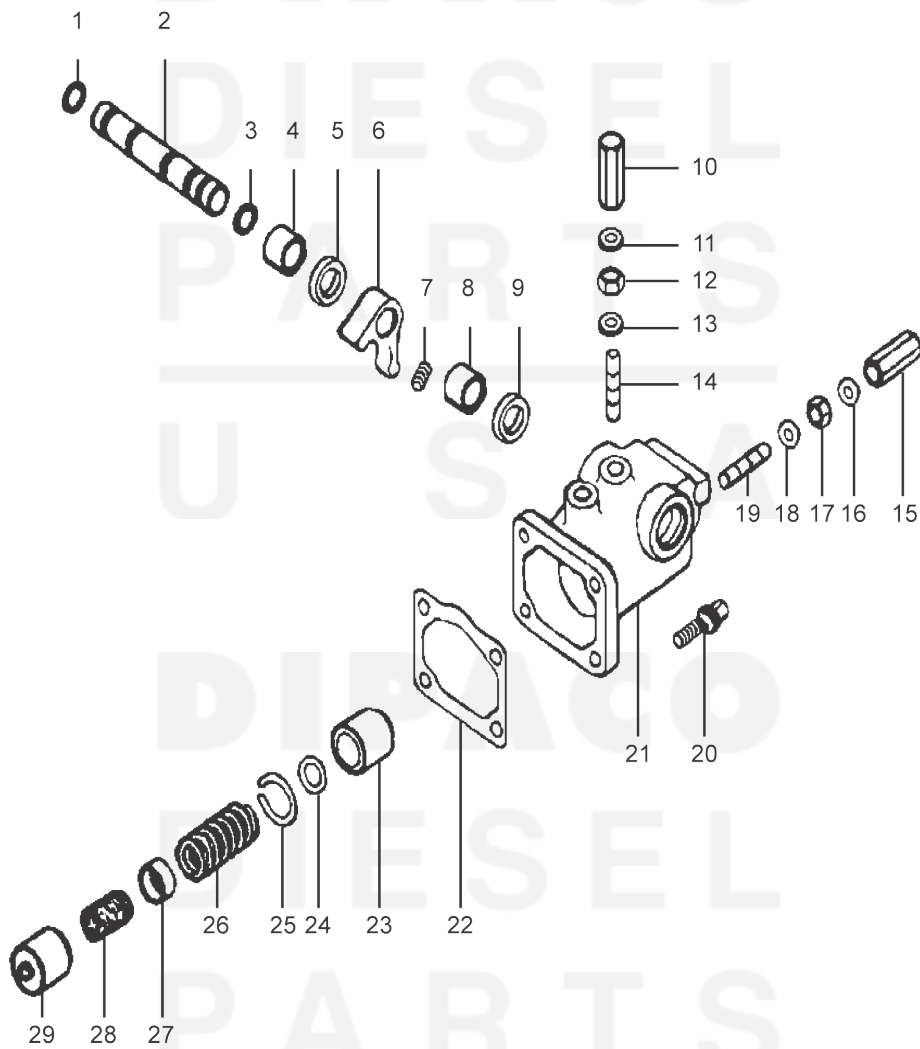
CUMMINS FUEL INJECTION SYSTEMS Typical VS Front Cover



REF	PART	DESCRIPTION	QTY	REF	PART	DESCRIPTION	QTY
1	162426	SPIDER (Black)	1	31	163944	BUSHING, CARRIER	1
1	3046200	SPIDER (White) NYLON	1	32	163945	RING, CARRIER RETAINING	1
2	S110	CAPSCREW	1	33	135169	RING, RETAINING	1
3	S605	LOCK WASHER	1	34	201745	WASHER	1
4	S626	WASHER	1	35	201008	SHAFT, IDLER	1
5	212613	COUPLING, DRIVE	1	36	201010	BUSHING, SHAFT	1
6	212602	GEAR, TACH DRIVE (RH)	1	37	113244	GEAR, CARRIER	1
6	216906	GEAR, TACH DRIVE (LH)	1	38	200998	GASKET, COVER TO HOUSING	1
7	3062676	SEAL (Metal Case - Green Coated)	2	38	3063053	GASKET W/BLEED HOLE	1
		(See Page 86 and 87)		39	212639	COUPLING, GEAR PUMP	1
7	3009625	SEAL (Metal Case)	2	40	212605	GEAR, PUMP DRIVE	1
		(see Page 86 and 87)		41	212604	RING, RETAINER	1
7	3075523	SEAL (New Style Front Cover)	2	41	3080974	SCREW, ROUND HEAD CAP	1
		(See Page 86 and 87)		42	S16052	BEARING, MAIN SHAFT	1
8	3069103	GASKET	1	43	212601	SHAFT, MAIN	1
9	212610	GEAR, TACH (RH)	1	44	3075525	COVER, FRONT (*See Note)	1
9	216911	GEAR, TACH (LH)	-			(See Page 86 and 87)	
10	212609	BUSHING, TACH	1	45	212668	KEY	1
11	3004724	SPACER, TACH SEAL	1	46	163945	RING, RETAINING	1
12	212603	SEAL, TACH SHAFT	1	47	3017996	WEIGHT ASSY	1
13	212607	SHAFT, TACH	1	48	70704	WASHER	8
14	212606	HOUSING, TACH (Early)	1	49	S600	LOCKWASHER	8
14	3002110	HOUSING, TACH (Late)	1	50	3017051	CAPSCREW	8
15	175831	PLUG	1	51	103089	WASHER	1
16	S114	CAPSCREW	1	52	S607	LOCKWASHER	1
17	S600	LOCKWASHER	1	53	118226	CAPSCREW	1
18	129069	NUT	1	54	3028868	CAPSCREW	1
19	203630	BEARING (*See Note)	1				
20	113244	GEAR	1				
21	-	WEIGHT SHIELD	1	-	3801095	GOVERNOR KIT	1
22	-	WEIGHT CARRIER	1	-	3024215	BUSHING	1
23	144178	PLUNGER, WEIGHT ASSIST	1	-	3027236	SHAFT	1
24	144179	SHIM, WEIGHT ASSIST (.016")	1				
24	179368	SHIM (.007")	1				
24	3071718	SHIM (.005")	1				
24	3071719	SHIM (.010")	1				
25	143846	SPRING (Red)	1				
25	143847	SPRING (Blue)	1				
25	143848	SPRING (Pink)	1				
25	143849	SPRING (Yellow)	1				
25	143854	SPRING (Blue/Yellow)	1				
25	143855	SPRING (White/Yellow)	1				
25	650662	SPRING (Green)	1				
-	3024988	WEIGHT ASSY	1				
26	107261	WEIGHT ASSY, LOWER	2				
-	3024989	WEIGHT ASSY, UPPER	1				
26	163826	WEIGHT, CARRIER	2				
-	3024991	WEIGHT ASSY, LOWER	1				
26	146437	WEIGHT ASSY, LOWER	2				
-	3024992	WEIGHT ASSY, LOWER	1				
26	650508	WEIGHT ASSY, LOWER	2				
27	211635	PIN, WEIGHT CARRIER	2				
28	3006550	CARRIER	1				
29	211636	GEAR, CARRIER	1				
30	211633	SHAFT	1				

***NOTE:** Old style VS front cover used bearing 203630. 3801095 kit can be used to replace the bearing with a bushing and shaft.

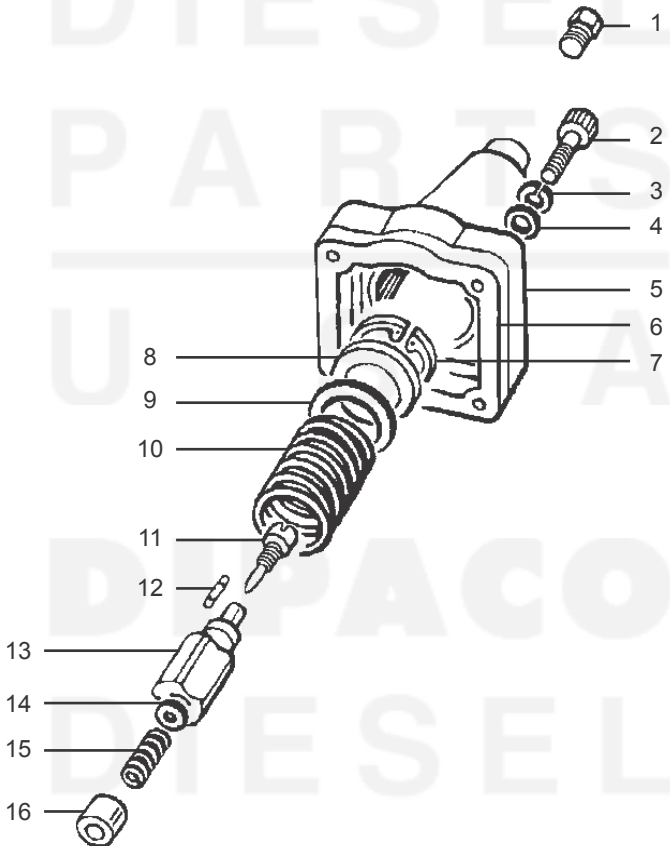
CUMMINS FUEL INJECTION SYSTEMS Typical VS Spring Pack Assembly



CUMMINS FUEL INJECTION SYSTEMS Typical VS Spring Pack Assembly

REF	PART	DESCRIPTION	QTY
1	70415	O RING	1
2	3010942	THROTTLE SHAFT (Long)	1
2	3010943	THROTTLE SHAFT (Short)	1
3	70415	O RING	1
4	3010941	STEEL BUSHING	1
4	70812	BRASS BUSHING	1
5	3010945	SEAL, DUST	1
6	70834	STOP, THROTTLE	1
7	70813	SCREW, SET	1
8	3010941	STEEL BUSHING	1
8	70812	BRASS BUSHING	1
9	3010945	SEAL, DUST	1
10	110058	NUT, FUEL PUMP ADJUSTING	1
11	112408	WASHER	1
12	S270	NUT	1
13	112408	WASHER	1
14	109917	SCREW	1
15	110058	NUT, FUEL PUMP ADJUSTING	1
16	112408	WASHER	1
17	S270	NUT	1
18	112408	WASHER	1
19	109917	SCREW	1
20	3017051	CAPSCREW	6
21	3016021	HOUSING, GOVERNOR	1
22	70705	GASKET	1
23	70836	PLUNGER, THROTTLE LEVER	1
24	70811	SHIM .020"	A/R
24	70811A	SHIM .010"	A/R
24	70811B	SHIM .005"	A/R
25	70823	RING, RETAINING	1
26	70821	SPRING, GOVERNOR (Red)	1
26	70822	SPRING, GOVERNOR (Green)	1
26	101002	SPRING, GOVERNOR (White)	1
26	105422	SPRING, GOVERNOR (Black)	1
26	106689	SPRING, GOVERNOR (Gray)	1
26	107787	SPRING, GOVERNOR (Yellow/Blue)	1
26	109686	SPRING, GOVERNOR (Blue)	1
26	109687	SPRING, GOVERNOR (Yellow)	1
26	109688	SPRING, GOVERNOR (Green/White)	1
26	109689	SPRING, GOVERNOR (Gray)	1
26	109690	SPRING, GOVERNOR (Pink)	1
26	110460	SPRING, GOVERNOR (Orange)	1
26	110461	SPRING, GOVERNOR (Purple)	1
26	118128	SPRING, GOVERNOR (Black/White)	1
26	3021519	SPRING, GOVERNOR (Red/White)	1
27	70798	GUIDE, SPRING	1
28	138810	IDLE SPRING	1
28	159240	IDLE SPRING	1
28	70778	IDLE SPRING	1
28	3077619	IDLE SPRING	1
29	70820	PLUNGER, GOVERNOR	1

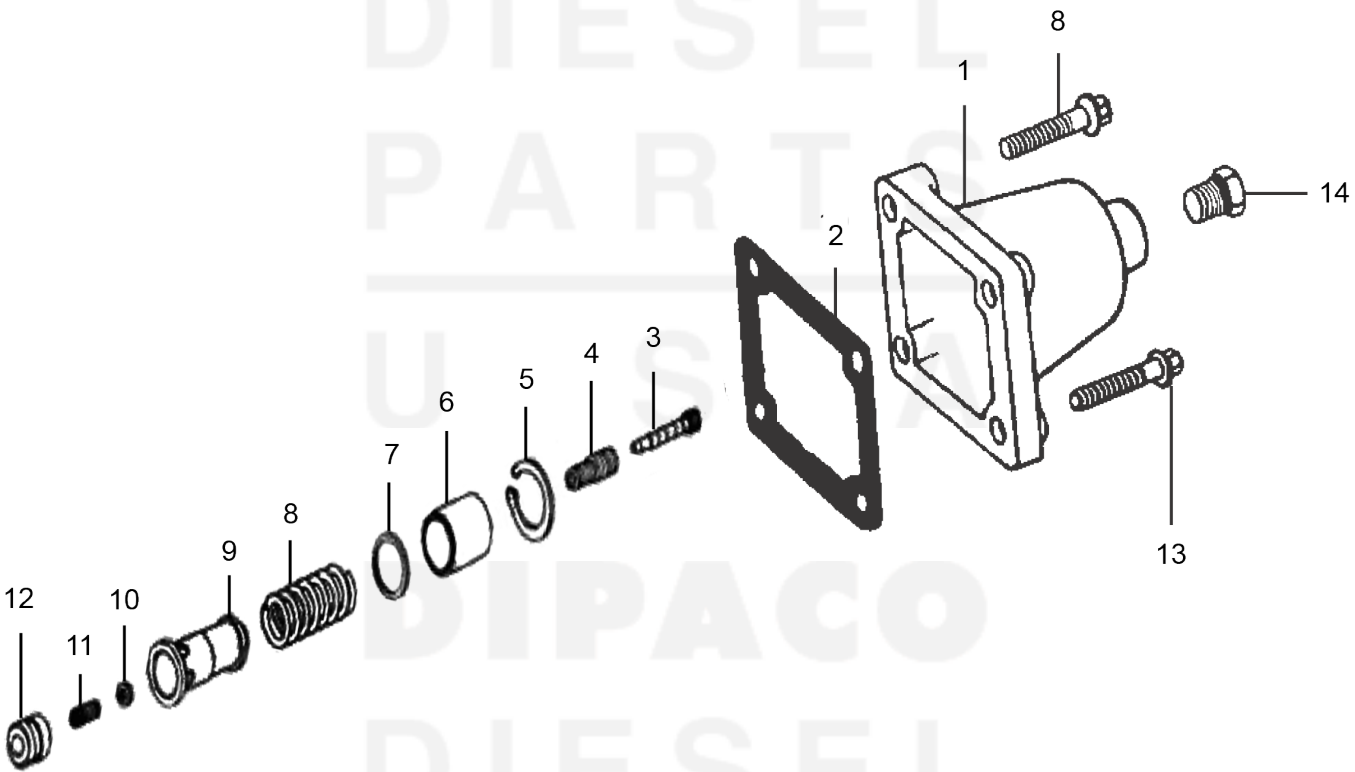
CUMMINS FUEL INJECTION SYSTEMS Standard Governor Spring Pack



CUMMINS FUEL INJECTION SYSTEMS Standard Governor Spring Pack

REF	PART	DESCRIPTION	QTY
1	3025459	PIPE PLUG W/ HOLE (Early)	1
1	3025458	PIPE PLUG W/O HOLE (Early)	1
1	3065383	PIPE PLUG (Late) 3/8-24 UNF	1
2	S105C	CAPSCREW	4
2	203619	CAPSCREW, DRILLED	4
3	S600	LOCK WASHER	4
4	70704	WASHER	4
5	44678	COVER (Early)	1
5	3065376	COVER (Late)	1
6	70705	GASKET	1
7	S16240	SNAP RING	1
8	70713	RETAINER	1
9	70717	SHIM .020"	A/R
9	70717A	SHIM .005"	A/R
9	70717B	SHIM .002"	A/R
10	PAGE 68	HIGH SPEED SPRING	1
11	70716	IDLE ADJUSTMENT SCREW	1
12	204120	CLIP	1
13	3036473	GUIDE	1
14	70715	WASHER	1
15	144195	IDLE SPRING	1
15	3018767	IDLE SPRING	1
16	PAGE 69	IDLE SPRING PLUNGER BUTTON	1

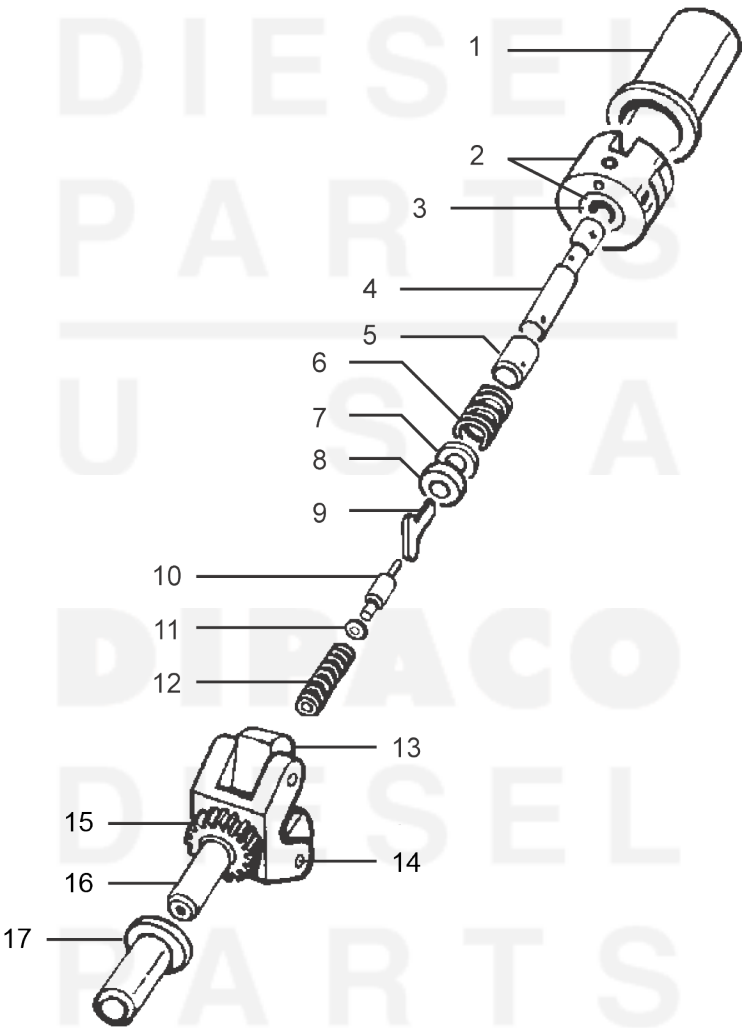
CUMMINS FUEL INJECTION SYSTEMS VS Governor Spring Pack



CUMMINS FUEL INJECTION SYSTEMS VS Governor Spring Pack

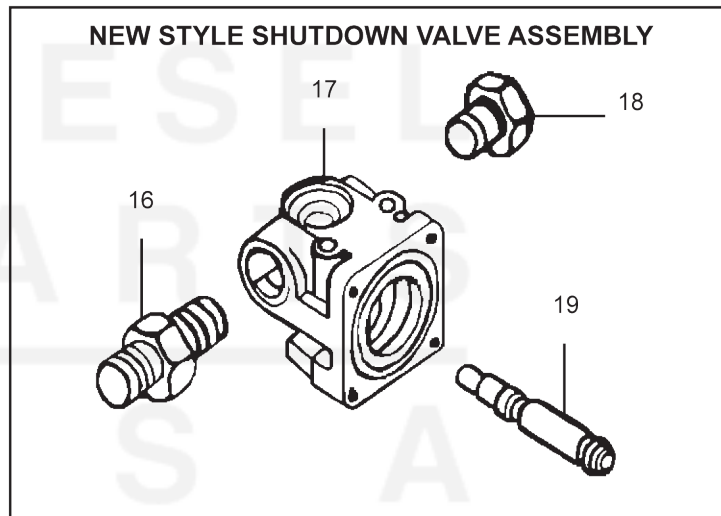
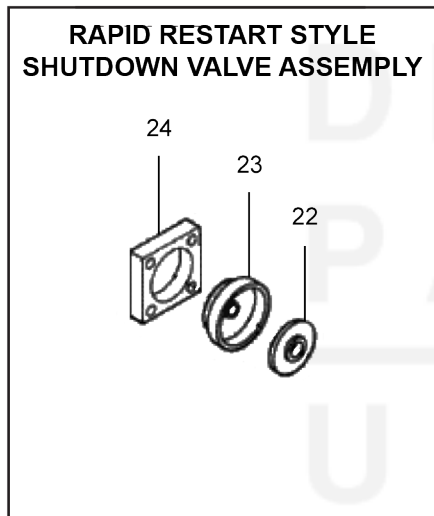
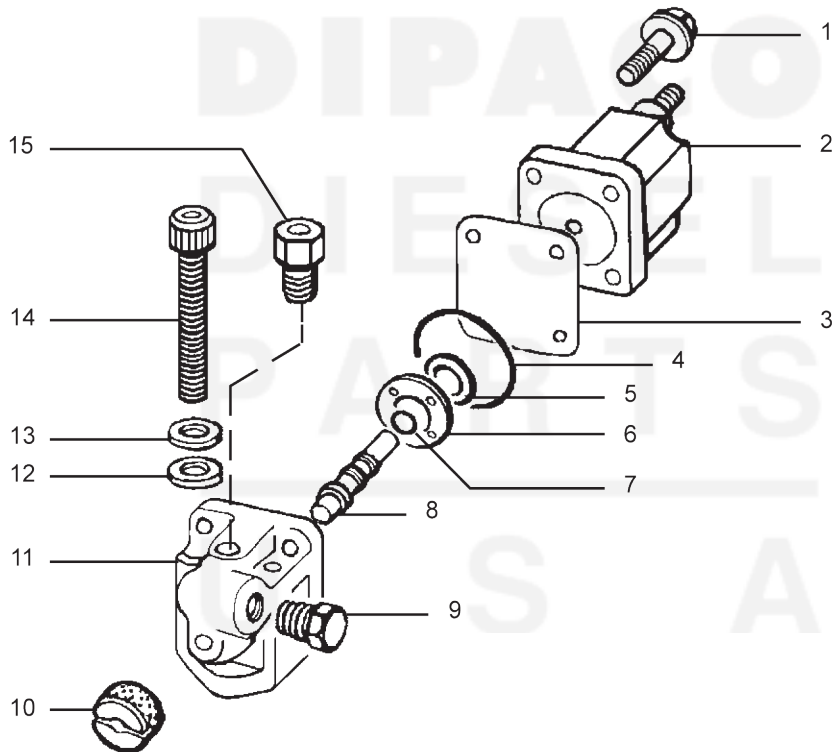
REF	PART	DESCRIPTION	QTY
1	44678	COVER (EARLY)	1
1	3065376	COVER (LATE)	1
2	70705	GASKET	1
3	70716	SCREW, KNURLED	1
4	3032014	SPRING	1
5	S16240	RETAINING RING	1
6	203346	SPACER	1
7	70717	SHIM .020"	1
7	70717A	SHIM .005"	1
7	70717B	SHIM .002"	1
7	PAGE 58	HIGH SPEED SPRING	1
8	3036474	GUIDE, IDLE	1
9	70715	WASHER	1
10	144195	IDLE SPRING	1
10	3018767	IDLE SPRING	1
11	PAGE 59	IDLE SPRING PLUNGER BUTTON	1
12	3017051	SCREW	1
13	3017052	SCREW W/ HOLE	1
14	3025459	PIPE PLUG W/ HOLE (EARLY)	1
14	3025458	PIPE PLUG W/O HOLE (EARLY)	1
14	3065383	PLUG (LATE) 3/8-24 UNF	1

CUMMINS FUEL INJECTION SYSTEMS Governor Assembly



REF	PART	DESCRIPTION	QTY	REF	PART	DESCRIPTION	QTY
1	3036970	SPRING PACK HOUSING	1	15	211636	GEAR	1
2	3001737	BARREL ASSY PTG STD, 16 HOLE	1	16	211633	CARRIER SHAFT	1
2	3001738	BARREL ASSY PTG .010" OS, 16 HOLE	1	17	163944	BUSHING	1
2	3058555	BARREL ASSY AFC STD, 16 HOLE	1	-	3017996	WEIGHT ASSY KIT	1
2	3058556	BARREL ASSY AFC .010" OS, 16 HOLE	1	-	3024991	WEIGHT ASSY, LOWER	1
2	3045214	BARREL ASSY PTG STD, 14 HOLE	1	10	144178	WEIGHT ASSIST PLUNGER	1
2	3045446	BARREL ASSY PTG .010" OS, 14 HOLE	1	11	144179	SHIM	1
2	3058561	BARREL ASSY AFC STD, 14 HOLE	1	12	143847	SPRING (BLUE)	1
2	3058562	BARREL ASSY AFC .010" OS, 14 HOLE	1	17	163944	BUSHING	1
3	177150	SLEEVE, 16 HOLE	1				
3	3045206	SLEEVE, 14 HOLE	1				
4	PAGE 70	GOVERNOR PLUNGER	1				
5	144302	SPACER (WITH HOLE)	1				
5	188714	SPACER (TEFLON)	1				
5	3048557	SPACER (NO HOLE)	1				
5	3066637	THRUST BEARING	1				
5	3066638	SPACER	1				
6	PAGE 71	TORQUE CONTROL SPRING	1				
7	101841	SHIM .005"	A/R				
7	101842	SHIM .010"	A/R				
7	101843	SHIM .020"	A/R				
8	3027633	WASHER, PLUNGER .175"	1				
8	3021488	WASHER, PLUNGER .125"	1				
8	3035230	WASHER, PLUNGER .092"	1				
9	70690	DRIVER, T SHAPE	1				
9	70690C	DRIVER, CYLINDRICAL	1				
10	144178	WEIGHT ASSIST PLUNGER	1				
11	144179	SHIM .016"	1				
11	179368	SHIM .007"	1				
11	3071718	SHIM .005"	1				
11	3071719	SHIM .010"	1				
12	143846	SPRING (Red)	1				
12	143847	SPRING (Blue)	1				
12	143848	SPRING (Pink)	1				
12	143849	SPRING (Yellow)	1				
12	143854	SPRING (Blue/Yellow)	1				
12	143855	SPRING (White/Yellow)	1				
12	650662	SPRING (Green)	1				
-	3024988	WEIGHT ASSY, LOWER	1				
13	107261	WEIGHT	2				
-	3024989	WEIGHT ASSY, UPPER	1				
13	163826	WEIGHT	2				
-	3024991	WEIGHT ASSY, LOWER	1				
13	146437	WEIGHT	2				
-	3024992	WEIGHT ASSY, LOWER	1				
13	650508	WEIGHT	2				
14	211635	CARRIER PIN	2				

CUMMINS FUEL INJECTION SYSTEMS Fuel Shutdown Valve Assembly

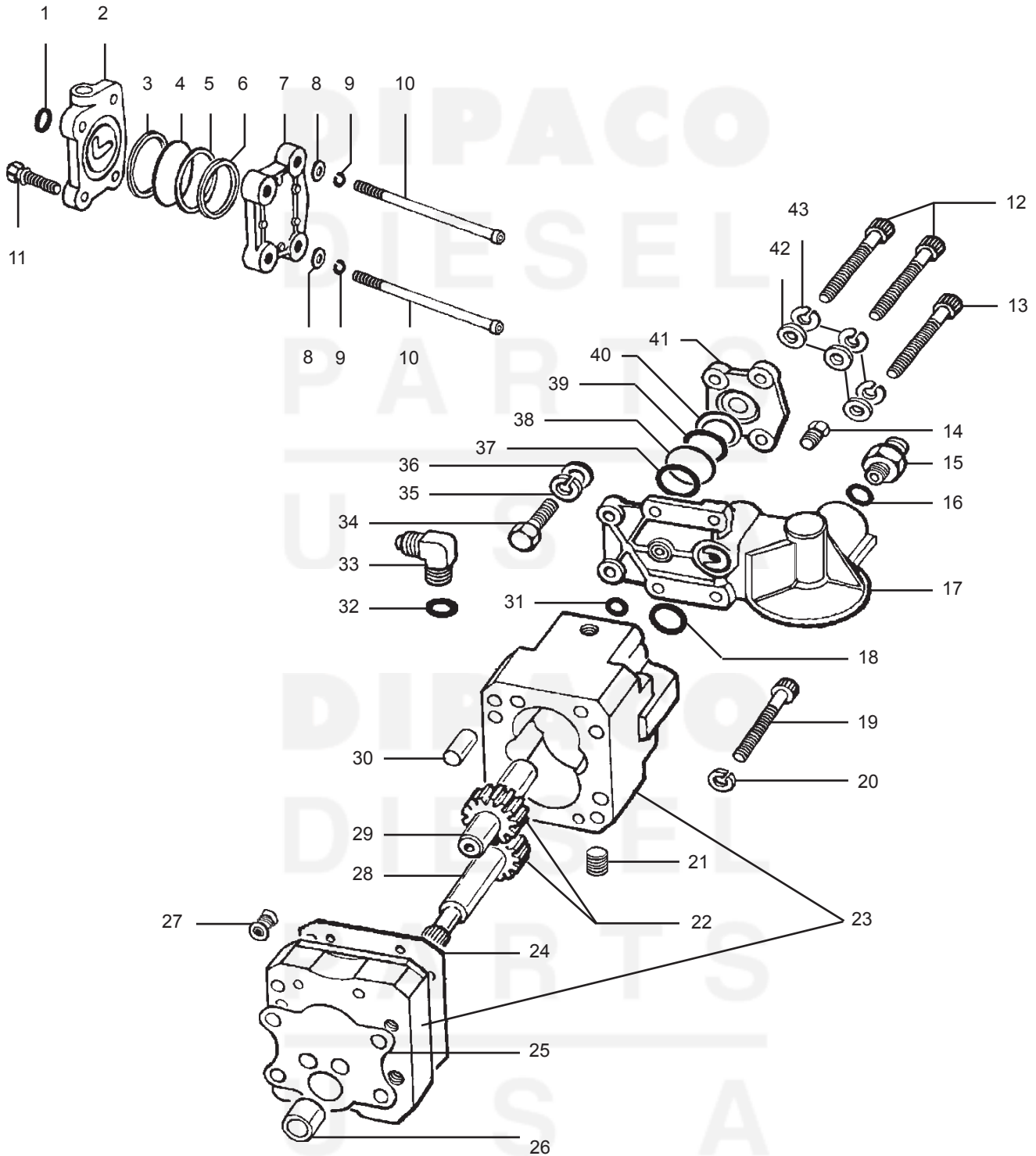


REF	PART	DESCRIPTION	QTY	REF	PART	DESCRIPTION	QTY
1	187556	CAPSCREW	4			RAPID RESTART STYLE SHUT DOWN VALVE ASSEMBLY	
2	4024808	COIL, 12 VOLT, 1 TERMINAL	1	23	196057	VALVE DISC	1
2	4024809	COIL, 24 VOLT, 1 TERMINAL	1	20	3034452	ACTUATOR DISC	1
2	134075	COIL, 12 VOLT, 2 TERMINAL	1	21	-	HOUSING, ACTUATOR	1
2	134076	COIL, 24 VOLT, 2 TERMINAL	1				
3	129839	SHIELD	1				
4	129888	SQUARE CUT O RING	1				
5	129768	SPRING	1				
6	3030970	PLATE	1				
7	3002481	O-RING, VITON	1				
8	3000266	SHAFT	1				
9	3025458	PIPE PLUG	1				
10	129838	KNOB	1				
11	129826	HOUSING	1				
12	67684	WASHER	2				
13	196057	VALVE DISC	1				
14	3034451	HOUSING, ACTUATOR	1				
15	3034452	ACTUATOR DISC	1				
16	181466	LOCK WASHER	2				
17	S189C	CAPSCREW	2				
18	3018889	OUTLET FITTING	1				
-	DPE10010	SHUTDOWN VALVE REPAIR KIT					
	129888	O-RING	1				
	3002481	O-RING	1				
	3030970	PLATE	1				
	129839	SHIELD	1				
	154087	O-RING	1				
-	DPE890011	SHUT DOWN VALVE REPAIR KIT					
	129826	HOUSING	1				
	129839	SHIELD	1				
	129888	O-RING	1				
	3002481	O-RING	1				
	3030970	PLATE	1				
	154087	O-RING	1				
		VALVE ASSEMBLIES					
-	3035342	12 VOLT, 1 TERMINAL	1				
-	3035344	24 VOLT, 1 TERMINAL	1				
-	3035345	12 VOLT, 2 TERMINAL	1				
-	3035346	24 VOLT, 2 TERMINAL	1				
-	BM69974	VALVE ASSY W/ MOUNTING PARTS	1				
		NEW STYLE SHUT DOWN VALVE ASSEMBLY					
19	3052623	COUPLING	1				
20	3062107	BODY	1				
21	3008466	PIPE PLUG	1				
22	3013036	SHAFT	1				

NOTE: All parts for the new style shut down valve assembly except 13 through 15 are common with the standard type shut down valve assembly.

All parts for the rapid restart shut down valve assembly except for the three listed above are common with the standard type shut down valve assembly.

CUMMINS FUEL INJECTION SYSTEMS Gear Pump And Damper Assembly



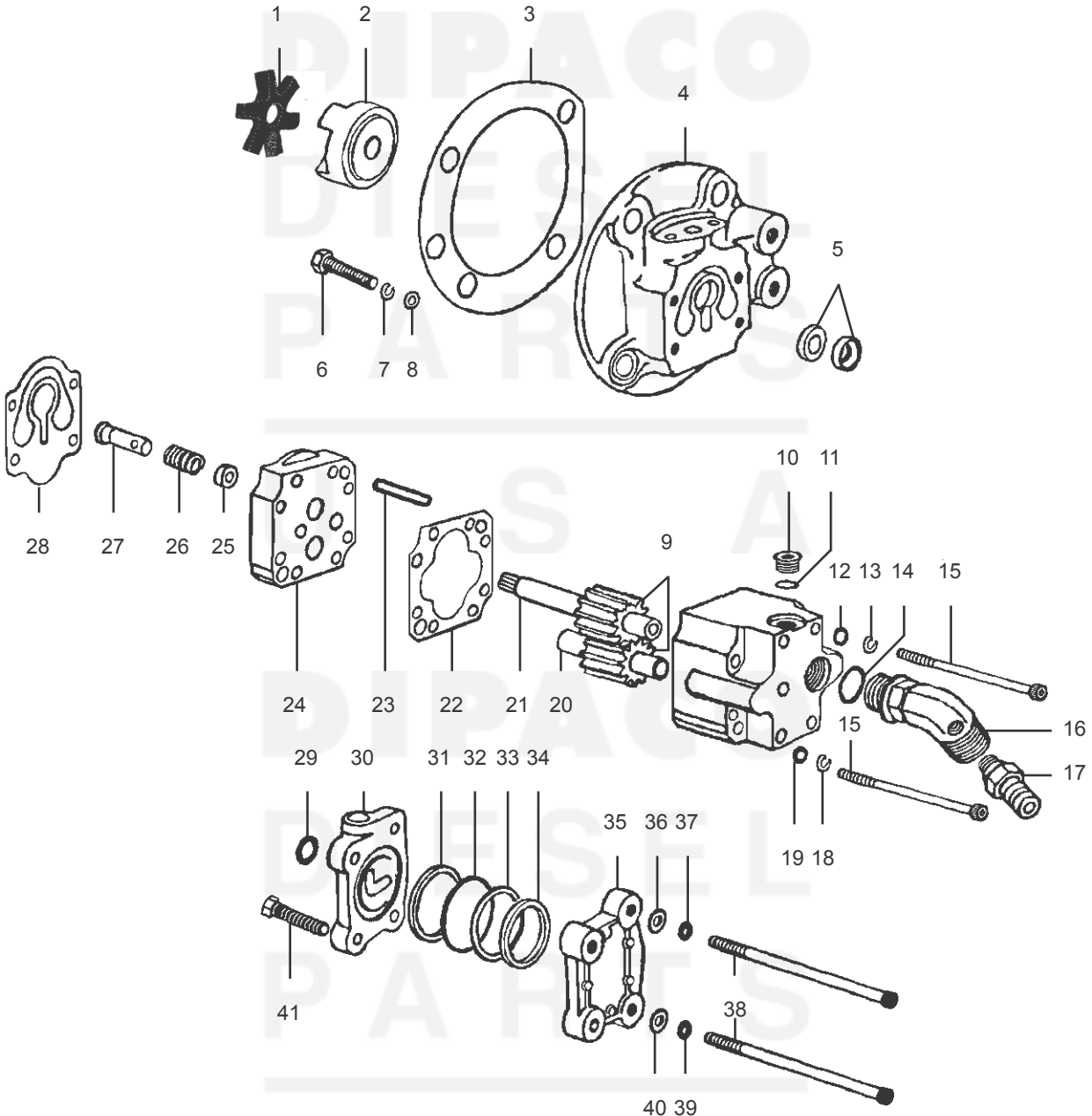
CUMMINS FUEL INJECTION SYSTEMS Gear Pump And Damper Assembly

REF	PART	DESCRIPTION	QTY	REF	PART	DESCRIPTION	QTY
1	151900	O RING, SQUARE CUT	1	28	100216	DRIVE SHAFT 1"	1
2	153336	BODY, FUEL PUMP DAMPER	1	28	100217	DRIVE SHAFT 1-1/4"	1
3	139988	SEAL, SQUARE CUT	1	29	175866	IDLER SHAFT 7/16"	1
4	202897	DIAPHRAGM, DAMPER	1	29	175864	IDLER SHAFT 3/4"	1
5	160514	WASHER	1	29	100133	IDLER SHAFT 1"	1
6	100099	O RING, SQUARE CUT	1	29	175865	IDLER SHAFT 1-1/4"	1
7	153338	COVER, FUEL PUMP DAMPER	1	30	64816A	DOWEL	2
8	70704	WASHER	2	31	151900	O RING, SQUARE CUT	1
9	181466	LOCK WASHER	2	32	3034412	O RING	1
10	S174C	CAPSCREW	2	33	3027507	CHECK VALVE, PIPE THREAD	1
11	3017051	CAPSCREW	2	33	3033740	CHECK VALVE, STRAIGHT THREAD	1
12	S174C	CAPSCREW	2	34	S105C	CAPSCREW	1
13	133538	CAPSCREW	1	35	S600	LOCKWASHER	4
14	177999	PIPE PLUG	1	36	70704	WASHER	8
15	129859	INLET FITTING-ELBOW (7/8-14)	1	37	100099	O RING, SQUARE CUT	1
15	129866	INLET FITTING-STRAIGHT (7/8-14)	1	38	202897	DIAPHRAGM	1
15	203848	INLET FITTING-ELBOW (7/8-14)	1	39	139988	O RING, SQUARE CUT	1
15	203849	INLET FITTING-ELBOW W/SIDE TAP (7/8-14)	1	40	160514	NYLON WASHER	1
15	203850	INLET FITTING-STRAIGHT (3/4-16)	1	41	153338	DAMPER PLATE	1
15	DPE10500	ELBOW, GEAR PUMP (*See Note)	1	42	70704	WASHER	3
15	DPE10501	ELBOW, GEAR PUMP (*See Note)	1	43	S600	LOCK WASHER	3
15	DPE10502	ADAPTER, GEAR PUMP (*See Note)	1			GEAR PUMP ASSEMBLIES	
16	3040817	O RING, VITON	1	-	3034215	7/16" RH PRESSURIZED	1
17	205451	HEAD W/FILTER BASE NO DAMPER	1	-	3034216	7/16" LH PRESSURIZED	1
17	153336	HEAD W/O FILTER BASE	1	-	3034231	7/16" RH NON-PRESSURIZED	1
17	3026198	HEAD W/FILTER BASE AND DAMPER	1	-	3034232	7/16" LH NON-PRESSURIZED	1
18	213079	O RING	1	-	3034217	3/4" RH PRESSURIZED	1
19	70790	CAPSCREW	4	-	3034218	3/4" LH PRESSURIZED	1
20	S600	LOCKWASHER	8	-	3034233	3/4" RH NON-PRESSURIZED	1
21	3033742	PIPE PLUG	1	-	3034234	3/4" LH NON-PRESSURIZED	1
22	167166	GEAR 7/16"	2	-	3034219	1" RH PRESSURIZED	1
22	119363	GEAR 3/4"	2	-	3034220	1" LH PRESSURIZED	1
22	170942	GEAR 1"	2	-	3034225	1" RH NON-PRESSURIZED	1
22	119364	GEAR 1-1/14"	2	-	3034226	1" LH NON-PRESSURIZED	1
23	3034017	BODY AND COVER 7/16"	1	-	3034221	1-1/4" RH PRESSURIZED	1
23	3024523	BODY AND COVER 3/4"	1	-	3034222	1-1/4" LH PRESSURIZED	1
23	3033736	BODY AND COVER 1"	1	-	3034237	1-1/4" RH NON-PRESSURIZED	1
23	3033739	BODY AND COVER 1-1/4"	1	-	3034238	1-1/4" LH NON-PRESSURIZED	1
24	110855	GASKET, RED .0020"/.0022"	1				
24	121193	GASKET, PURPLE .0015"/.0017"	1				
25	3080837	GASKET	1				
26	3033719	DOWEL RING 7/32"	1				
26	101468	DOWEL RING 5/16"	1				
27	3050624	PRESSURIZING VALVE	1				
28	167169	DRIVE SHAFT 7/16"	1				
28	100215	DRIVE SHAFT 3/4"	1				

***NOTE:** DIPACO has developed DPE10500 gear pump elbow. This design has a removable straight thread adapter for newer style pumps with the straight thread inlet port. For older style pumps with pipe threads, remove the adapter and you have a pipe threaded end.

Also, we have the two components of the DPE10500 elbow, which can be purchased seperately. DPE10501 is a longer version of the standard inlet elbow with pipe threads. This elbow can also be used in place of the Komatsu/Cummins elbow D6610-71-2571. DPE10502 is an adapter which screws onto the DPE10501 elbow and changes the pipe threads into straight threads for the newer style pumps.

CUMMINS FUEL INJECTION SYSTEMS Celect Fuel System

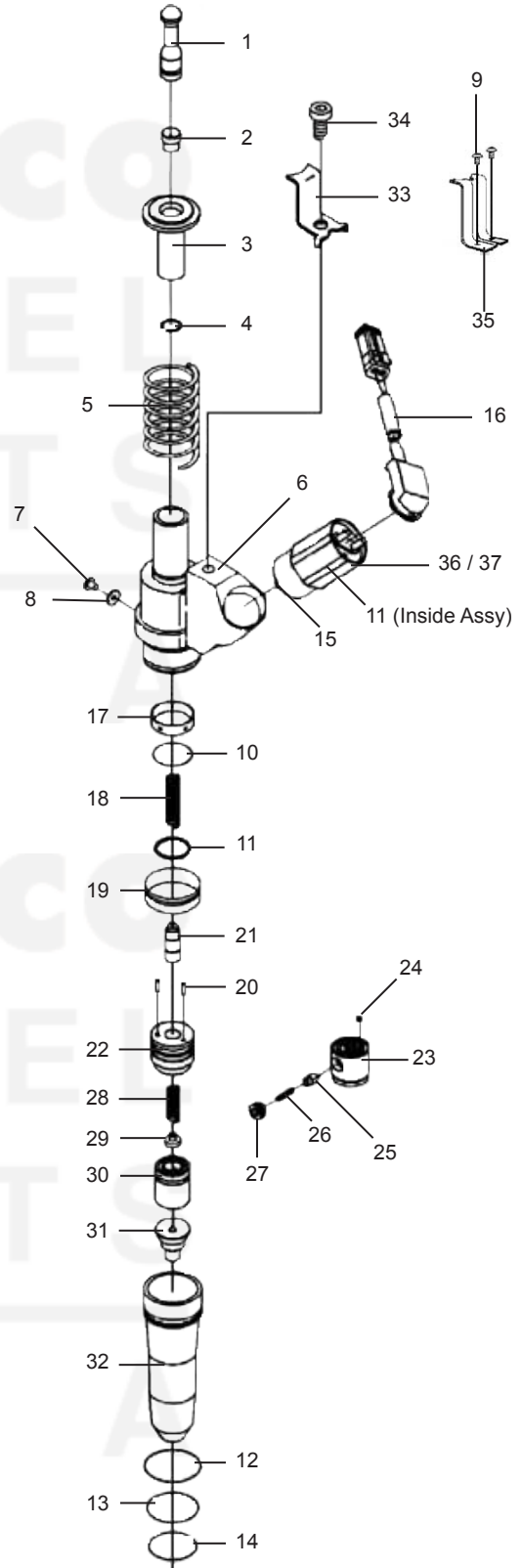


REF	PART	DESCRIPTION	QTY	REF	PART	DESCRIPTION	QTY	
1	3046200	SPIDER	1		3068891	DRIVE SHAFT AND GEAR ASSEMBLY, FLAT (EARLY)	1	
2	3095355	HUB, SPLINED	1		3095635	DRIVE SHAFT AND GEAR ASSEMBLY, SPLINE (LATE)	1	
3	3069103	GASKET, FUEL PUMP	1		3019617	IDLER SHAFT AND GEAR ASSEMBLY	1	
4	3068760	SUPPORT, FUEL PUMP	1		3068889	DRIVE SHAFT, FLAT (EARLY)	1	
5	3084713	RED SEAL	2		3095356	DRIVE SHAFT, SPLINE (LATE)	1	
					3068764	PLUNGER, PRESSURE REGULATING (EARLY) * SEE NOTE	1	
4	3070149	SUPPORT, FUEL PUMP	1		4010296	PLUNGER, PRESSURE REGULATING (LATE) * SEE NOTE	1	
5	3084713	RED SEAL	1		3068424	SPRING, PRESSURE REGULATING (EARLY) * SEE NOTE	1	
5	3071643	BLUE SEAL	1		4010297	SPRING, PRESSURE REGULATING (LATE) * SEE NOTE	1	
					4010324	GEAR PUMP 1 1/4"	1	
4	3074318	SUPPORT	1			MOUNTING PARTS		
5	3071643	BLUE SEAL	1	9	69324	WASHER	4	
5	3074316	SEAL SPACER	1	8	135783	LOCKWASHER	4	
5	3084713	RED SEAL	1	7	206326	CAPSCREW, TWELVE POINT	4	
5	3074317	SEAL SPACER	1	2	3041572	HUB	1	
5	128807	RETAINER	1	1	3046200	SPIDER	1	
6	206326	CAPSCREW, TWELVE POINT	4	3	3048341	GASKET, FUEL PUMP	1	
7	135783	LOCK WASHER	4	15	3046201	O RING	1	
8	69324	WASHER	4	17	203849	ELBOW, SIDE TAP	1	
9	119364	GEAR, FUEL PUMPING	2	18	3042618	NIPPLE, COUPLING	1	
10	3033742	PLUG, THREADED	1		3069103	GASKET	1	
11	3034412	O RING	1			FUEL PUMP SUPPORT SEAL KITS		
12	70704	WASHER	8		3803476	SEAL KIT (Early - Fits 3068760 Support with a straight seal bore)		
13	181466	LOCKWASHER	8		3084713	RED SEAL	2	
14	3046201	O RING	1					
15	100129	CAPSCREW	6	-	3803477	SEAL KIT (Late - Fits 3070149 Support and 3074318 Support with a steeped seal bore)		
16	203849	ELBOW, SIDE TAP	1		3084713	RED SEAL	1	
17	3042618	NIPPLE, COUPLING	1		3071643	BLUE SEAL	1	
18	3033742	PLUG	8			FUEL PUMP REPAIR KIT		
19	70704	WASHER	8		-	3803478	CELECT SERVICE REPAIR KIT (Fits 3074318 and 3070149 Support) See Page 78	1
20	175865	SHAFT	1			NOTE:		
21	3068889	DRIVE SHAFT (OLD STYLE)	1		3068889	GEAR PUMP ASSEMBLY (EARLY)		
21	3095356	DRIVE SHAFT (SPLINED)	1		3068764	PLUNGER, PRESSURE REGULATING (EARLY)	1	
22	110855	GASKET, FUEL PUMP	1		3068424	SPRING, PRESSURE REGULATING (EARLY)	1	
23	3029857	PIN, ROLL	2		4010324	GEAR PUMP ASSEMBLY (LATE)		
24	3041623	COVER, FUEL PUMP GEAR	1		4010296	PLUNGER, PRESSURE REGULATING (LATE)	1	
25	3085615	RETAINING RING	1		4010297	SPRING, PRESSURE REGULATING (LATE)	1	
26	3063782	SPRING, COMPRESSION	1					
27	3068764	PLUNGER, PRESSURE REGULATING	1					
27	4010296	PLUNGER, PRESSURE REGULATING	1					
28	3069017	GASKET, FUEL PUMP	1					
29	151900	O RING, SQUARE CUT	1					
30	153336	BODY	1					
31	139988	O RING, SQUARE CUT	1					
32	202897	DIAPHRAGM, FUEL DAMPER	1					
33	160514	WASHER	1					
34	100099	O RING, SQUARE CUT	1					
35	153338	COVER	1					
36	70704	WASHER	8					
37	3041572	HUB, FLAT (EARLY)	8					
37	3095355	HUB, SPLINE (LATE)	8					
38	3080837	CAPSCREW	2					
39	181466	LOCKWASHER	8					
40	70704	WASHER	8					
41	3017051	CASCREW	2					

CUMMINS FUEL INJECTION SYSTEMS

Celect Exploded Injector

REF	PART	DESCRIPTION	QTY
1	-	LINK	1
2	-	LINK SOCKET	1
3	3081342	FOLLOWER	1
3	3081343	FOLLOWER	1
4	3072486	RETAINER RING	1
5	3078236	FOLLOWER SPRING	1
5	D3411340	FOLLOWER SPRING	1
6	3075659	BODY & PLUNGER	1
6	3075690	BODY & PLUNGER	1
7	RTF26119	FUEL PASSAGE SCREW	1
8	RTF26120	FUEL PASSAGE WASHER	1
9	D3080811	RETAIN SCREW (N14)	2
10	RTF26121	BODY O-RING (L10/M11/ISM)	1
11	RTF26118	COIL & BARREL O-RING (GREEN)	2
12	D3070136	UPPER NUT O-RING (RED)	1
13	D3070137	MIDDLE NUT O-RING (WHITE)	1
14	D3070138	LOWER NUT O-RING (BLUE)	1
15	D3034408	COIL RETAINER NUT O-RING	1
16	RTF26125	WIRING HARNESS	1
-	RTF26125-1	CONNECTOR AND SEAL	A/R
-	RTF26125-2	WEDGE LOCK	A/R
-	RTF26125-3	SEAL	A/R
-	RTF26125-4	KIT	A/R
-	RTF26125-5	COVER	A/R
17	-	SPILL DEFLECTOR	1
18	RTF26100	BIAS SPRING .254" ID	1
18	RTF26123	BIAS SPRING .188" ID	1
19	D3071967	FILTER	1
20	D203426	ALIGNMENT PIN	2
-	SEE PAGE 43	PLUNGER & BARREL ASSEMBLY	1
21	SEE PAGE 43	PLUNGER	1
22	-	BARREL	1
23	3072819	CHECK CAGE	1
24	D3076068	CHECK BALL	1
25	-	PRESSURE RELIEF VALVE	1
26	-	SPRING	1
27	-	NUT	1
28	RTF26101	PRESSURE SPRING	1
29	RTF26110-114	SPRING SEAT .114/.115" NO GROOVE	A/R
29	RTF26110-118	SPRING SEAT .118/.119" 1 GROOVE	A/R
29	RTF26110-123	SPRING SEAT .123/.124" 2 GROOVES	A/R
30	RTF26111	SPRING CAGE	1
31	SEE PAGE 39-41	NOZZLE	1
32	-	NUT (L10/M11)	1
33	-	RETAINER (L10/M11)	1
34	-	RETAIN SCREW (L10/M11/ISM)	1
35	-	RETAINER (N14)	1
36	-	STATOR	1
37	RTF26147	CONTROL VALVE ASSEMBLY	1



CUMMINS FUEL INJECTION SYSTEMS Celect Injector Nozzles / CLP Reference

APPLICATIONS:			CUMMINS CLP REFERENCE (CONTINUED)	
L10 M11	M11 Plus N14 Plus	ISM		
AVAILABLE NOZZLES				
DIPACO NOZZLE	ENGINE MODEL	NOZZLE MARKING		
RTF26107	L10 & N14	3076071	1809	RTF26128
RTF26108	M11	3084592	1830	RTF26108
RTF26109	N14	3609861	1831	RTF26107
RTF26113	M11 Plus	26113	1841	RTF26108
RTF26114	M11 Plus	26114	1844	RTF26128
RTF26115	N14 Plus	3087791	1852	RTF26128
RTF26116	N14 Plus	3088175	1855	RTF26108
RTF26117	L10	3079963	1856	RTF26108
RTF26122	M11 Plus	3095043	1857	RTF26108
RTF26126	N14 Plus	3411388	1875	RTF26108
RTF26127	N14 Plus	3411690	1885	RTF26108
RTF26128	N14 Plus	3609855	1896	RTF26128
RTF26135	N14	3609852	1924	RTF26116
RTF26136	M11	3609925	1944	RTF26107
RTF26137	N14	3411694	1973	RTF26108
RTF26138	M11	3095729	1983	RTF26117
RTF26139	N14	3409978	1984	RTF26117
			1987	RTF26128
			2003	RTF26115
			2005	RTF26115
			2026	RTF26128
			2036	RTF26122
			2037	RTF26122
			2066	RTF26117
			2067	RTF26117
			2097	RTF26108
			2140	RTF26113
			2141	RTF26113
			2143	RTF26116
			2178	RTF26122
			2201	RTF26114
			2261	RTF26116
			2306	RTF26128
			2370	RTF26122
			2371	RTF26122
			2389	RTF26127
			2390	RTF26127
			2391	RTF26126
			2403	RTF26116
			2425	RTF26114
			2492	RTF26128
			2590	RTF26127
			2591	RTF26127
			2592	RTF26126
			2659	RTF26116
			9921	RTF26116
			9925	RTF26116
			9951	RTF26116
CUMMINS CLP REFERENCE				
1324	RTF26107	1533	RTF26107	
1347	RTF26107	1534	RTF26107	
1348	RTF26107	1535	RTF26107	
1357	RTF26107	1537	RTF26107	
1367	RTF26107	1538	RTF26107	
1375	RTF26107	1540	RTF26107	
1384	RTF26107	1548	RTF26107	
1385	RTF26107	1572	RTF26107	
1386	RTF26107	1573	RTF26107	
1389	RTF26107	1574	RTF26107	
1390	RTF26107	1575	RTF26107	
1391	RTF26107	1580	RTF26107	
1392	RTF26107	1583	RTF26107	
1393	RTF26107	1587	RTF26117	
1394	RTF26107	1588	RTF26117	
1420	RTF26107	1589	RTF26117	
1426	RTF26107	1590	RTF26117	
1428	RTF26107	1617	RTF26117	
1445	RTF26107	1642	RTF26117	
1511	RTF26107	1649	RTF26107	
1512	RTF26107	1669	RTF26117	
1513	RTF26107	1806	RTF26109	
1514	RTF26107	1807	RTF26109	

CUMMINS FUEL INJECTION SYSTEMS

Select Nozzle To Injector / Injector To Nozzle Cross Reference

DIPACO NOZZLE TO CUMMINS INJECTOR LISTING

RTF26107	3070629	L10
RTF26107	3070739	N14
RTF26107	3071534	L10
RTF26107	3073995	N14
RTF26107	3081314	N14
RTF26107	3081315	N14
RTF26107	3081317	L10
RTF26107	3652516	L10
RTF26107	3652541	N14
RTF26107	3652542	N14
RTF26108	3084589	M11
RTF26108	3087557	M11
RTF26108	3411752	M11
RTF26109	3083846	N14
RTF26109	3087733	N14
RTF26109	3087560	N14
RTF26109	3411759	N14
RTF26113	3411755	M11
RTF26114	3411758	M11
RTF26115	3087788	N14
RTF26115	3095086	N14
RTF26115	3411763	N14
RTF26115	3609796	N14
RTF26116	3088178	N14
RTF26116	3411764	N14
RTF26117	3073996	L10
RTF26117	3081318	L10
RTF26117	3652540	L10
RTF26122	3095040	M11
RTF26122	3411753	M11
RTF26126	3411385	N14
RTF26126	3411767	N14
RTF26127	3411381	N14
RTF26127	3411691	N14
RTF26127	3411765	N14
RTF26127	3411766	N14
RTF26128	3083848	N14
RTF26128	3087558	N14
RTF26128	3087734	N14
RTF26128	3411760	N14

CUMMINS INJECTOR TO DIPACO NOZZLE LISTING

3070629	RTF26107	L10
3070739	RTF26107	N14
3071534	RTF26107	L10
3073995	RTF26107	N14
3073996	RTF26117	L10
3081314	RTF26107	N14
3081315	RTF26107	N14
3081317	RTF26107	L10
3081318	RTF26117	L10
3083846	RTF26109	N14
3083848	RTF26128	N14
3084589	RTF26108	M11
3087557	RTF26108	M11
3087558	RTF26128	N14
3087560	RTF26109	N14
3087733	RTF26109	N14
3087734	RTF26128	N14
3087788	RTF26115	N14
3088178	RTF26116	N14
3095040	RTF26122	M11
3095086	RTF26115	N14
3411381	RTF26127	N14
3411385	RTF26126	N14
3411691	RTF26127	N14
3411752	RTF26108	M11
3411753	RTF26122	M11
3411755	RTF26113	M11
3411758	RTF26114	M11
3411759	RTF26109	N14
3411760	RTF26128	N14
3411763	RTF26115	N14
3411764	RTF26116	N14
3411765	RTF26127	N14
3411766	RTF26127	N14
3411767	RTF26126	N14
3609796	RTF26115	N14
3652516	RTF26107	L10
3652540	RTF26117	L10
3652541	RTF26107	N14
3652542	RTF26107	N14

CUMMINS FUEL INJECTION SYSTEMS Select Nozzle To Injector / Injector To Nozzle Cross Reference

DIPACO NOZZLE TO CUMMINS INJECTOR LISTING

RTF26107	3070629	L10
RTF26107	3070739	N14
RTF26107	3071534	L10
RTF26107	3073995	N14
RTF26107	3081314	N14
RTF26107	3081315	N14
RTF26107	3081317	L10
RTF26107	3652516	L10
RTF26107	3652541	N14
RTF26107	3652542	N14
RTF26108	3084589	M11
RTF26108	3087557	M11
RTF26108	3411752	M11
RTF26109	3083846	N14
RTF26109	3087733	N14
RTF26109	3087560	N14
RTF26109	3411759	N14
RTF26113	3411755	M11
RTF26114	3411758	M11
RTF26115	3087788	N14
RTF26115	3095086	N14
RTF26115	3411763	N14
RTF26115	3609796	N14
RTF26116	3088178	N14
RTF26116	3411764	N14
RTF26117	3073996	L10
RTF26117	3081318	L10
RTF26117	3652540	L10
RTF26122	3095040	M11
RTF26122	3411753	M11
RTF26126	3411385	N14
RTF26126	3411767	N14
RTF26127	3411381	N14
RTF26127	3411691	N14
RTF26127	3411765	N14
RTF26127	3411766	N14
RTF26128	3083848	N14
RTF26128	3087558	N14
RTF26128	3087734	N14
RTF26128	3411760	N14

CUMMINS INJECTOR TO DIPACO NOZZLE LISTING

3070629	RTF26107	L10
3070739	RTF26107	N14
3071534	RTF26107	L10
3073995	RTF26107	N14
3073996	RTF26117	L10
3081314	RTF26107	N14
3081315	RTF26107	N14
3081317	RTF26107	L10
3081318	RTF26117	L10
3083846	RTF26109	N14
3083848	RTF26128	N14
3084589	RTF26108	M11
3087557	RTF26108	M11
3087558	RTF26128	N14
3087560	RTF26109	N14
3087733	RTF26109	N14
3087734	RTF26128	N14
3087788	RTF26115	N14
3088178	RTF26116	N14
3095040	RTF26122	M11
3095086	RTF26115	N14
3411381	RTF26127	N14
3411385	RTF26126	N14
3411691	RTF26127	N14
3411752	RTF26108	M11
3411753	RTF26122	M11
3411755	RTF26113	M11
3411758	RTF26114	M11
3411759	RTF26109	N14
3411760	RTF26128	N14
3411763	RTF26115	N14
3411764	RTF26116	N14
3411765	RTF26127	N14
3411766	RTF26127	N14
3411767	RTF26126	N14
3609796	RTF26115	N14
3652516	RTF26107	L10
3652540	RTF26117	L10
3652541	RTF26107	N14
3652542	RTF26107	N14

CUMMINS FUEL INJECTION SYSTEMS

CELECT KITS AND PARTS

REF	PART	DESCRIPTION	QTY	REF	PART	DESCRIPTION	QTY
		KITS				KITS	
	RTF26104	REPAIR KIT - N14			RTF26140	OVERHAUL REPAIR KIT FOR L10 / M11 / N14 / ISM	
-	RTF26120	FUEL PASSAGE WASHER	1	-	RTF26125	WIRING HARNESS	1
-	RTF26119	FUEL PASSAGE SCREW	1	-	RTF26123	CELECT BIAS SPRING 0.188" ID	1
-	RTF26118	INTERNAL O-RING	2	-	RTF26121	BODY O-RING (L10/M11/ISM)	1
-	D3080811	RETAINING SCREW	2	-	RTF26120	FUEL PASSAGE WASHER	1
-	D3070138	O-RING (BLUE)	1	-	RTF26119	FUEL PASSAGE SCREW	1
-	D3070137	O-RING (WHITE)	1	-	RTF26118	INTERNAL O-RING	2
-	D3070136	O-RING (RED)	1	-	RTF26101	NOZZLE PRESSURE SPRING	1
-	D3034408	COIL RETAINER NUT O-RING	1	-	RTF26100	CELECT BIAS SPRING 0.254" ID	1
	RTF26104/25	REPAIR KIT FOR 25 INJECTORS		-	RTF26110-114	SPRING SEAT .114/.115"	1
	RTF26105	REPAIR KIT - L10 / M11		-	RTF26110-118	SPRING SEAT .118/.119"	1
-	RTF26121	BODY O-RING	1	-	RTF26110-123	SPRING SEAT .123/.124"	1
-	RTF26120	FUEL PASSAGE WASHER	1	-	D3080811	RETAINING SCREW (N14)	2
-	RTF26119	FUEL PASSAGE SCREW	1	-	D3070138	O-RING (BLUE)	1
-	RTF26118	INTERNAL O-RING	2	-	D3070137	O-RING (WHITE)	1
-	D3070138	O-RING (BLUE)	1	-	D3070136	O-RING (RED)	1
-	D3070137	O-RING (WHITE)	1	-	D3071967	CELECT INJECTOR FILTER	1
-	D3070136	O-RING (RED)	1	-	D3076068	CHECK BALL (CERAMIC)	1
-	D3034408	COIL RETAINER NUT O-RING	1	-	D3034408	COIL RETAINER NUT O-RING	1
	RTF26105/25	REPAIR KIT FOR 25 INJECTORS					
	RTF26124	EXTERNAL SEAL KIT					
-	D3071967	CELECT INJECTOR FILTER	1				
-	D3070138	O-RING (BLUE)	1				
-	D3070137	O-RING (WHITE)	1				
-	D3070136	O-RING (RED)	1				
	RTF26129	INJECTOR REPAIR KIT					
-	RTF26123	CELECT BIAS SPRING 0.188" ID	1				
-	RTF26121	BODY O-RING	1				
-	RTF26120	FUEL PASSAGE WASHER	1				
-	RTF26119	FUEL PASSAGE SCREW	1				
-	RTF26118	INTERNAL O-RING	2				
-	RTF26101	PRESSURE SPRING CELECT	1				
-	RTF26100	CELECT BIAS SPRING 0.254" ID	1				
-	D3080811	SCREW-COUPLING RETAINER	2				
-	D3076068	CHECK BALL (CERAMIC)	1				
-	D3071967	CELECT INJECTOR FILTER	1				
-	D3070138	O-RING (BLUE)	1				
-	D3070137	O-RING (WHITE)	1				
-	D3070136	O-RING (RED)	1				
-	D3034408	COIL RETAINER NUT O-RING	1				
	RTF26129/25	REPAIR KIT FOR 25 INJECTORS					
	RTF26125-4						
-	RTF26125-1	CONNECTOR AND SEAL	5				
-	RTF26125-2	WEDGE LOCK	5				

CUMMINS FUEL INJECTION SYSTEMS Celect Plunger And Barrel Assemblies

DIPACO offers three types of new metering plunger and barrel assemblies (shown below) used in Celect injectors. DIPACO also has new plungers with oversize diameters available. When replacement is necessary you should identify the type of plunger and barrel assembly present in the injector and replace it with the equivalent DIPACO assembly. The plunger and barrel assembly can be identified from its visual appearance.

RTF26142



Female Bias Spring Bore

RTF26143



Male Configuration

ID Groove

RTF26143CP



RTF26143 is a Celect Plus plunger and barrel with assembly. **The plunger now has a tungsten carbide coating**, which provides increased wear resistance and a lower coefficient of friction. The Celect Plus barrel is identified with a groove on the outside diameter of the barrel on the injector body side.

DIPACO also offers RTF26143CP, which comes with a ceramic plunger.

NOTE: For the oversize plungers use the same Identification information for the new plunger and barrel assemblies.

The following oversized plungers are used in Non-Celect Plus type plunger and barrel assemblies.

RTF26144-3547 - O/S Plunger Bias Spring Bore Type Plunger 0.3547"

RTF26144-3550 - O/S Plunger Bias Spring Bore Type Plunger 0.3550"

RTF26144-3552 - O/S Plunger Bias Spring Bore Type Plunger 0.3552"

RTF26144-3555 - O/S Plunger Bias Spring Bore Type Plunger 0.3555"

RTF26144-3560 - O/S Plunger Bias Spring Bore Type Plunger 0.3560"

RTF26144-3565 - O/S Plunger Bias Spring Bore Type Plunger 0.3565"

The following oversized plungers are used in RTF26142 type plunger and barrel assemblies.

RTF26145-3547 - O/S Plunger Bias Spring Bore Type Plunger 0.3547"

RTF26145-3550 - O/S Plunger Bias Spring Bore Type Plunger 0.3550"

RTF26145-3552 - O/S Plunger Bias Spring Bore Type Plunger 0.3552"

RTF26145-3555 - O/S Plunger Bias Spring Bore Type Plunger 0.3555"

RTF26145-3560 - O/S Plunger Bias Spring Bore Type Plunger 0.3560"

RTF26145-3565 - O/S Plunger Bias Spring Bore Type Plunger 0.3565"

The following oversized plungers are used in RTF26143 type plunger and barrel assemblies.

RTF26146-3547 - O/S Plunger Celect Plus 0.3547"

RTF26146-3550 - O/S Plunger Celect Plus 0.3550"

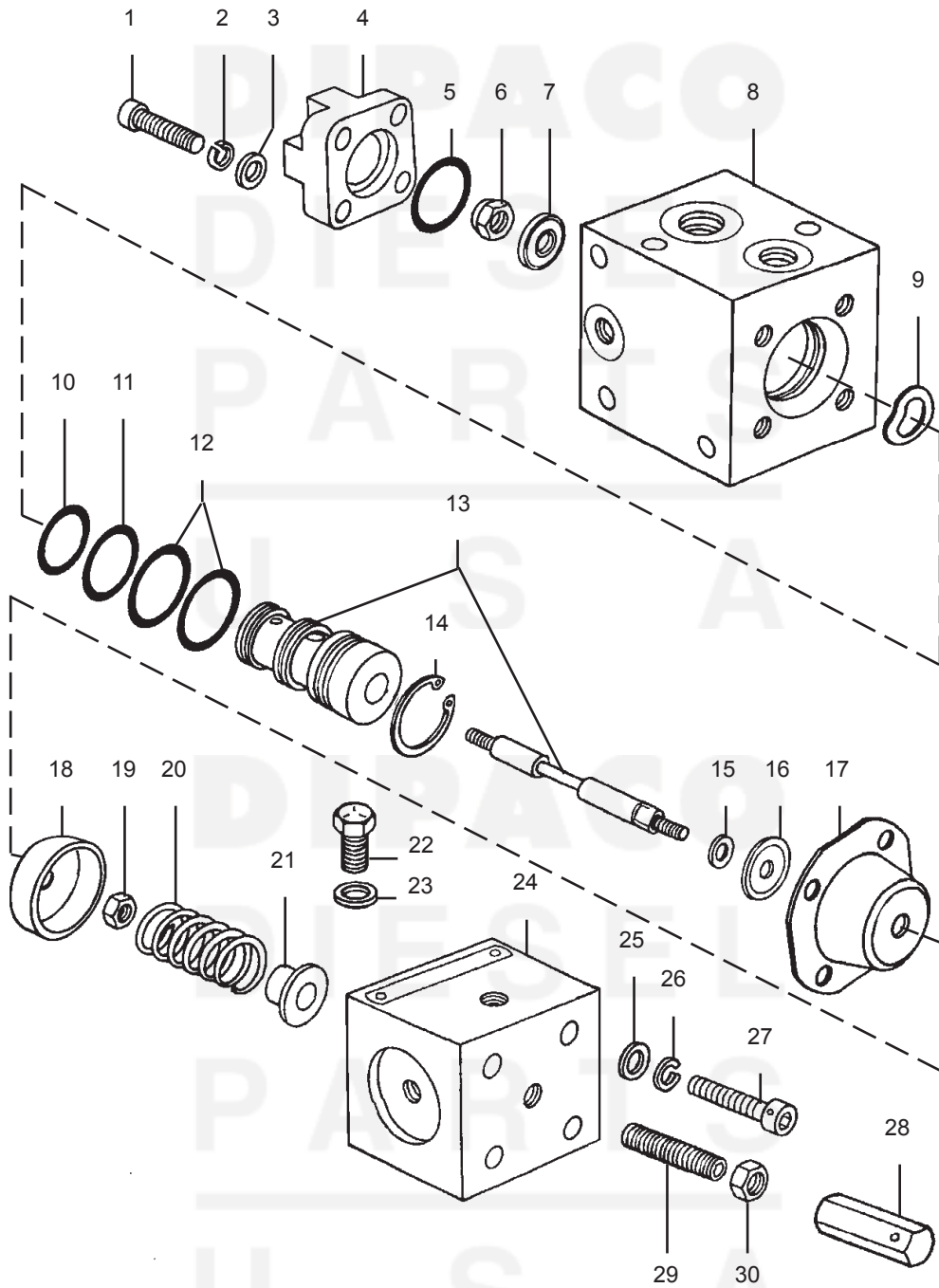
RTF26146-3552 - O/S Plunger Celect Plus 0.3552"

RTF26146-3555 - O/S Plunger Celect Plus 0.3555"

RTF26146-3560 - O/S Plunger Celect Plus 0.3560"

RTF26146-3565 - O/S Plunger Celect Plus 0.3565"

CUMMINS FUEL INJECTION SYSTEMS STC Valve With Diaphragm

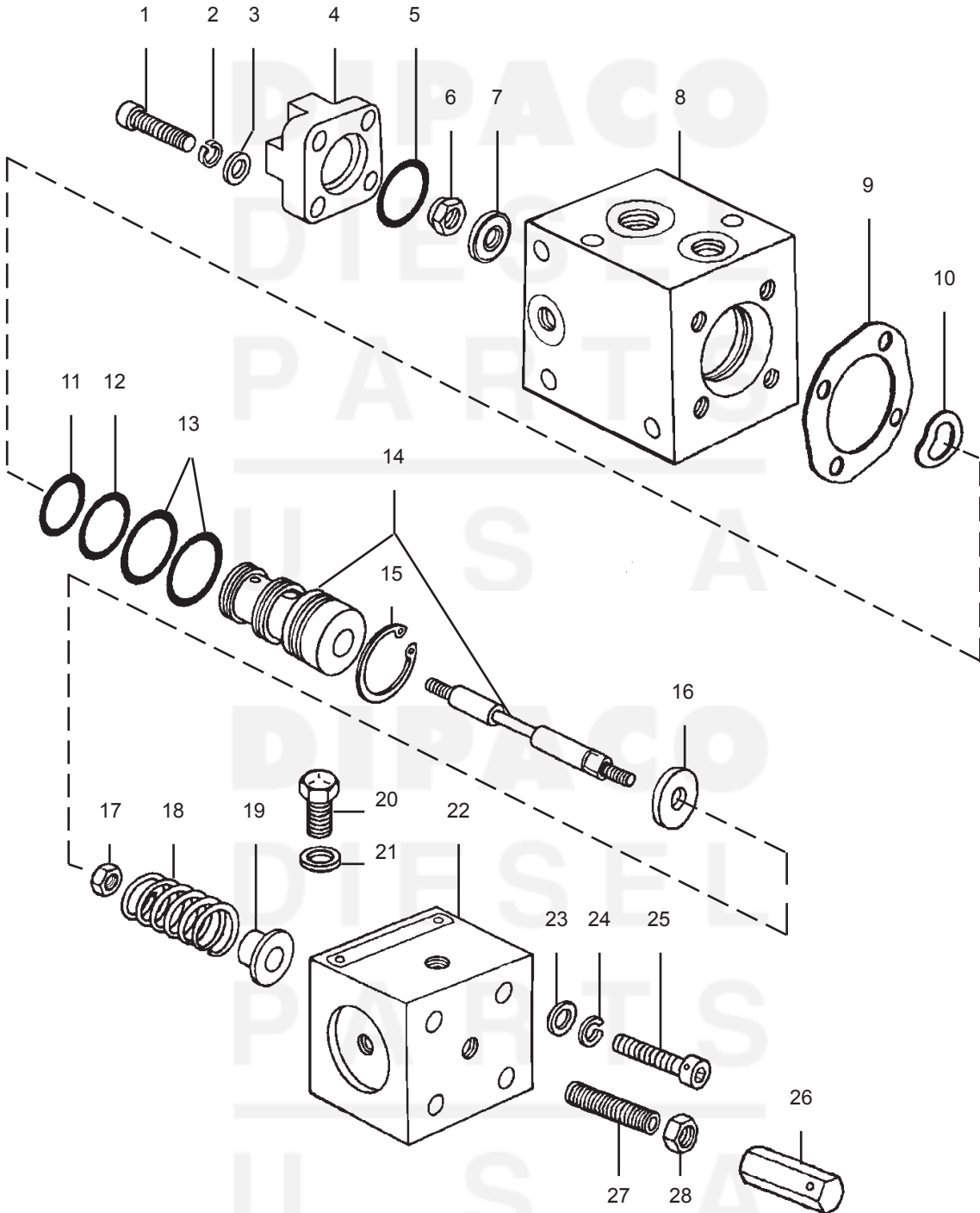


CUMMINS FUEL INJECTION SYSTEMS STC Valve With Diaphragm

REF	PART	DESCRIPTION	QTY
1	3075637	CAPSCREW	4
2	181466	LOCKWASHER	8
3	70704	FLAT WASHER	8
4	3069989	COVER	1
5	3034408	O RING	1
6	3029301	NUT	2
7	3073998	DISC VALVE	1
8	*	BODY	1
9	3054411	BEVELLED SPRING	1
10	3045986	O RING	1
11	3066914	O RING	1
12	3042542	O RING	2
13	3060605	BARRELAND PLUNGER	1
14	S16240	RETAINING RING	1
15	8078	COPPER WASHER	1
16	3054405	WASHER RETAINER	1
17	3054407	DIAPHRAGM	1
18	3054163	PISTON	1
19	3029301	NUT	2
20	PAGE 78	SPRING	1
21	3049041	SPRING RETAINER	1
22	70446	CAPSCREW PLUG	1
23	3069998	SEAL WASHER	1
24	*	SPRING COVER	1
25	70704	FLAT WASHER	8
26	181466	LOCKWASHER	8
27	3075638	CAPSCREW	1
28	3055687	ACORN NUT	1
29	*	SOCKET SET SCREW	1
30	3021639	NUT	1
-	3803282	REPAIR KIT (Page 78)	1

*Due to the quantity of part numbers available for the above categories please consult your Cummins microfiche or contact DIPACO customer service.

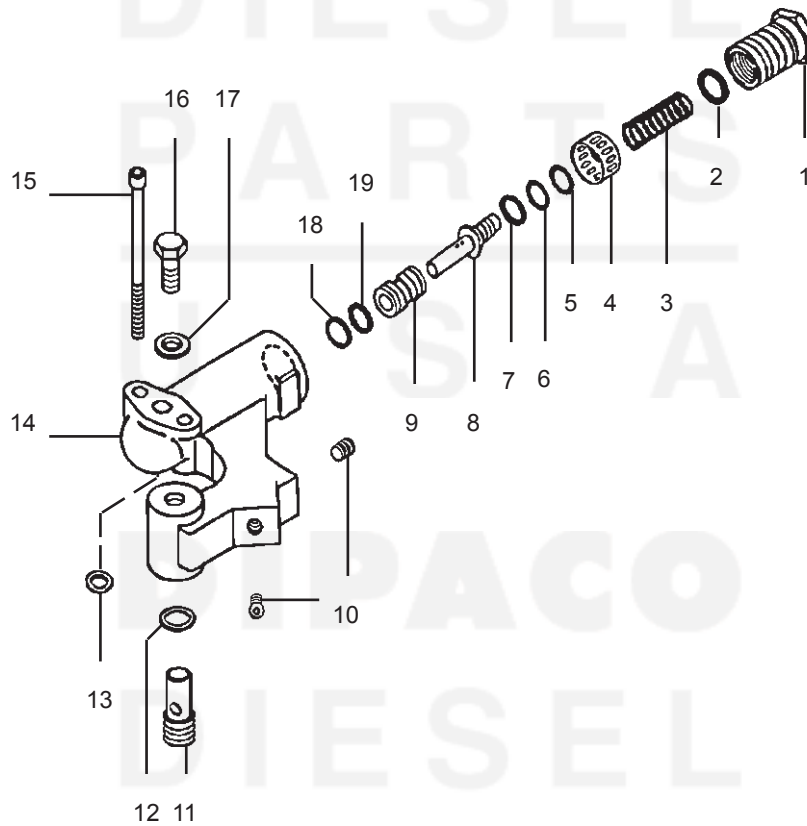
CUMMINS FUEL INJECTION SYSTEMS STC Valve With Gasket



CUMMINS FUEL INJECTION SYSTEMS STC Valve With Gasket

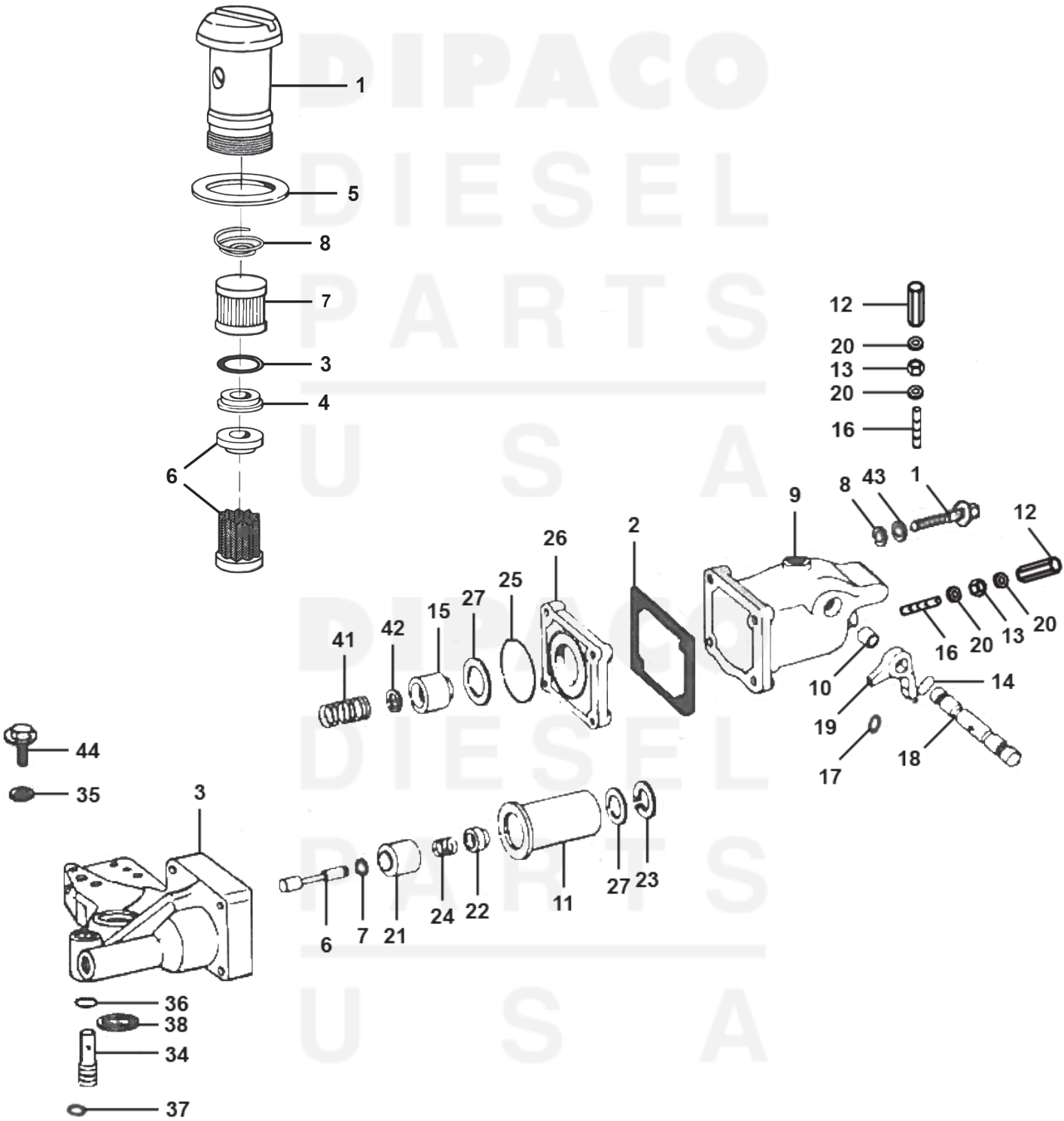
REF	PART	DESCRIPTION	QTY
1	3075637	CAPSCREW	4
2	181466	LOCK WASHER	8
3	70704	FLAT WASHER	8
4	3069989	COVER	1
5	3034408	O-RING	1
6	3029301	NUT	2
7	3073998	DISC VALVE	1
8	*	BODY	1
9	3070108	GASKET	1
10	3054411	BEVELLED SPRING	1
11	3045986	O-RING	1
12	3066914	O-RING	1
13	3042542	O-RING	2
14	3060605	BARREL AND PLUNGER	1
15	S16240	RETAINING RING	1
16	3070186	PLAIN WASHER	1
17	3029301	NUT	2
18	PAGE 78	SPRING	1
19	3049041	SPRING RETAINER	1
20	70446	CAPSCREW PLUG	1
21	3069998	SEAL WASHER	1
22	*	SPRING COVER	1
23	70704	FLAT WASHER	8
24	181466	LOCKWASHER	8
25	3075638	CAPSCREW	1
26	3055687	ACORN NUT	1
27	*	SOCKET SET SCREW	1
28	3021639	NUT	1
-	3803282	REPAIR KIT (Page 78)	1
<p>* Due to the quantity of part numbers available for the above categories please consult your Cummins microfiche or contact DIPACO customer service.</p>			

CUMMINS FUEL INJECTION SYSTEMS Torque Modifying Device



REF	PART	DESCRIPTION	QTY
1	124022	CAP, BYPASS VALVE	1
2	3045986	O-RING	1
3	70821	GOVERNOR SPRING (Red)	1
3	70822	GOVERNOR SPRING (Green)	1
3	101002	GOVERNOR SPRING (White)	1
3	105422	GOVERNOR SPRING (Black)	1
3	106689	GOVERNOR SPRING (Gray)	1
3	107787	GOVERNOR SPRING (Yellow/Blue)	1
3	109686	GOVERNOR SPRING (Blue)	1
3	109687	GOVERNOR SPRING (Yellow)	1
3	109688	GOVERNOR SPRING (Green/White)	1
3	109689	GOVERNOR SPRING (Gray)	1
3	109690	GOVERNOR SPRING (Pink)	1
3	110460	GOVERNOR SPRING (Orange)	1
3	110461	GOVERNOR SPRING (Purple)	1
3	118128	GOVERNOR SPRING (Black/White)	1
3	3021519	GOVERNOR SPRING (Red/White)	1
4	70779	RING, BYPASS VALVE	1
5	101841	SHIM .005"	A/R
6	101842	SHIM .010"	A/R
7	101843	SHIM .020"	A/R
8	-	* SEE NOTE	1
9	126337	SLEEVE, BYPASS VALVE	1
10	S965E	PLUG, PIPE	2
11	126119	ADAPTER, ANEROID CONTROL	1
12	154087	O-RING, SQUARE CUT	1
13	154086	O-RING, SQUARE CUT	1
14	194870	BODY, TORQUE MOD. VALVE	1
15	133538	CAPSCREW, SOCKET HEAD	2
16	S102A	CAPSCREW, HEX HEAD	1
17	106943	WASHER	1
18	102030	O-RING	1
19	126333	O-RING	1
	* NOTE:	Due to the number of part numbers available for the regulator plunger, consult your Cummins microfiche or contact DIPACO Customer Service.	

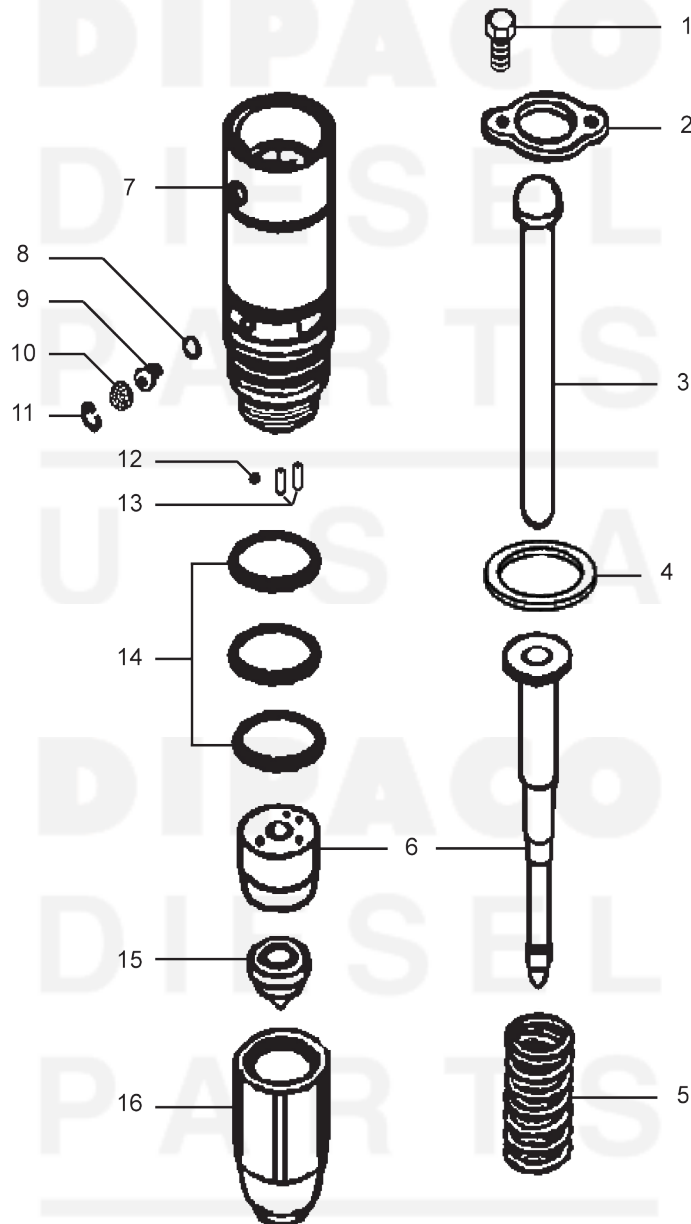
CUMMINS FUEL INJECTION SYSTEMS MVS Governor



CUMMINS FUEL INJECTION SYSTEMS MVS Governor

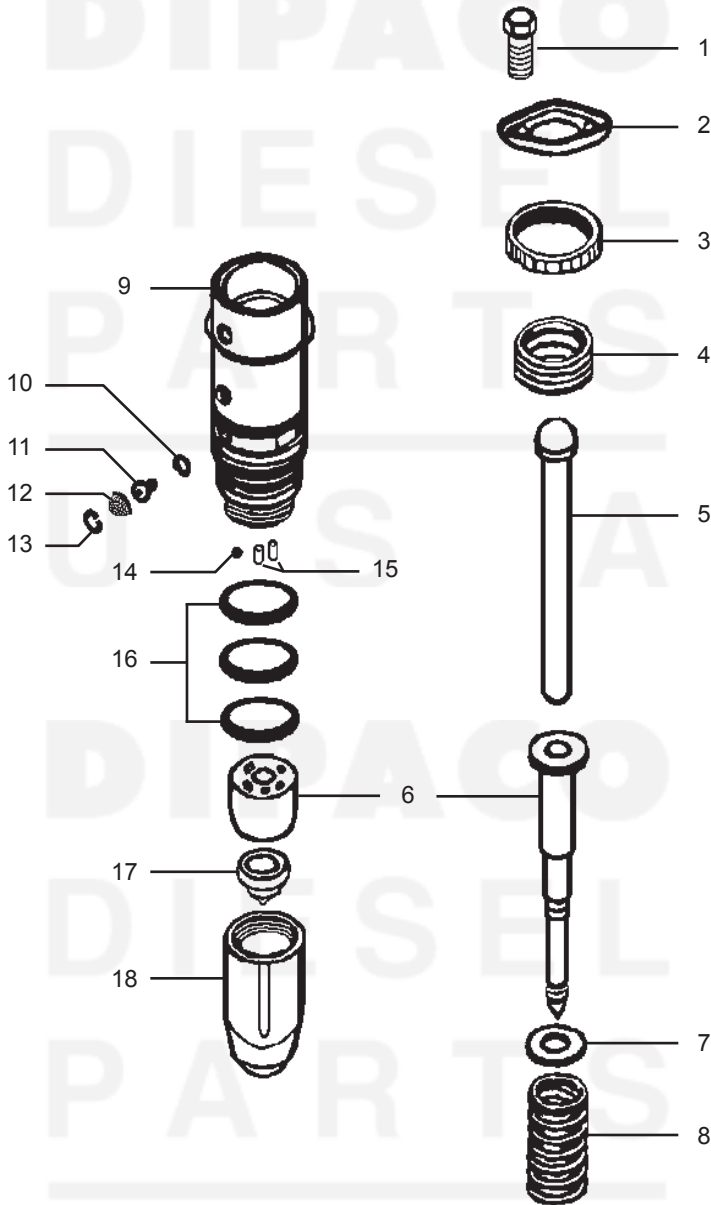
REF	PART	DESCRIPTION	QTY	REF	PART	DESCRIPTION	QTY
		MS FILTER ASSEMBLY					
1	133374	CAP	1	41	70821	GOVERNOR SPRING (Red)	1
3	3045986	O-RING	1	41	70822	GOVERNOR SPRING (Green)	1
4	138806	RETAINER	1	41	101002	GOVERNOR SPRING (White)	1
5	70771	SEAL RING	1	41	105422	GOVERNOR SPRING (Black)	1
6	149767	FILTER	1	41	106689	GOVERNOR SPRING (Gray)	1
7	137808	FILTER W/O MAGNET	1	41	107787	GOVERNOR SPRING (Yellow/Blue)	1
7	200743	FILTER WITH MAGNET	1	41	109686	GOVERNOR SPRING (Blue)	1
8	70700	SPRING	1	41	109687	GOVERNOR SPRING (Yellow)	1
				41	109688	GOVERNOR SPRING (Green/White)	1
				41	109689	GOVERNOR SPRING (Gray)	1
		MS GOVERNOR		41	109690	GOVERNOR SPRING (Pink)	1
1	S184C	CAPSCREW	1	41	110460	GOVERNOR SPRING (Orange)	1
2	70705	GASKET	1	41	110461	GOVERNOR SPRING (Purple)	1
3	-	HOUSING	1	41	118128	GOVERNOR SPRING (Black/White)	1
6	154460	GOVERNOR PLUNGER, CLASS 0	1	41	3021519	GOVERNOR SPRING (Red/White)	1
6	154463	GOVERNOR PLUNGER, CLASS 1	1	42	70811	SHIM .020"	1
6	168906	GOVERNOR PLUNGER, CLASS 2	1	-	70811A	SHIM .010"	1
6	169907	GOVERNOR PLUNGER, CLASS 3	1	-	70811B	SHIM .005"	1
6	154461	GOVERNOR PLUNGER 5 ⁰ , CLASS 0	1	43	181466	LOCK WASHER	4
6	154462	GOVERNOR PLUNGER 5 ⁰ , CLASS 1	1	44	109899	CAPSCREW	1
6	168908	GOVERNOR PLUNGER 5 ⁰ , CLASS 2	1				
6	169909	GOVERNOR PLUNGER 5 ⁰ , CLASS 3	1				
7	148367	SNAP RING	1			MVS GASKET KITS	
8	70704	WASHER	4			PTG-MVS OVERHAUL KIT	
9	3016021	COVER	1			SEE PAGE 80	
10	70812	BUSHING (Brass)	2				
10	3010941	BUSHING (Steel)	2			DBM98776 MVS MOUNTING GASKET KIT	
11	10834	SPRING PACK HOUSING	1	-	70415	O-RING	2
12	11058	NUT	2	-	70705	GASKET	1
13	S260	NUT	2	-	70771	SEAL WASHER	1
14	70415	O-RING	2	-	106943	SEAL WASHER	1
15	70836	PLUNGER	1	-	145544	O-RING	1
16	109918	SCREW	2	-	154086	SEAL RING	1
17	70813	SET SCREW	1	-	154087	SEAL RING	1
18	3010942	THROTTLE SHAFT (Long)	1	-	154088	SEAL RING	1
18	3010943	THROTTLE SHAFT (Early)	1	-	3045986	O-RING	1
19	70834	STOP, THROTTLE	1				
20	112408	WASHER	4				
21	70820	PLUNGER	1				
22	70798	SPRING GUIDE	1				
23	70823	SNAP RING	1				
24	153240	IDLE SPRING	1				
25	145544	O-RING	1				
26	148254	ADAPTER PLATE	1				
27	148426	SHIM, SPRING PACK HOUSING .005"	1				
-	153379	SHIM .020"	1				
-	153380	SHIM .010"	1				
-	153381	SHIM .005"	1				
34	126119	ADAPTER	1				
35	106943	SEAL RING	1				
36	154086	SEAL RING	1				
37	154087	SEAL RING	1				
38	154088	SEAL RING	1				

CUMMINS FUEL INJECTION SYSTEMS PTD Injector



REF	PART	DESCRIPTION	QTY
1	3049333	CAPSCREW, TWELVE POINT	2
2	3060447	CLAMP	1
3	-	* SEE NOTE	1
4	180626	WASHER	1
5	166009	SPRING, COMPRESSION	1
6	PAGE 75	PLUNGER AND BARREL	1
7	185139	BODY	1
8	173086	ORIFICE GASKET	1
8	173086C	ORIFICE GASKET, COPPER	1
9	PAGE 77	ORIFICE	1
10	3008706	SCREEN	1
11	174299	RETAINER	1
12	167157	CHECK BALL	1
13	203426	ROLL PIN	2
14	193736	O-RING	3
15	PAGE 76	CUP	1
16	185138	CUP RETAINER	1
	* NOTE:	Refer to Cummins Bulletin 3379664-23 or contact DIPACO Customer Service.	

CUMMINS FUEL INJECTION SYSTEMS Top Stop Injector

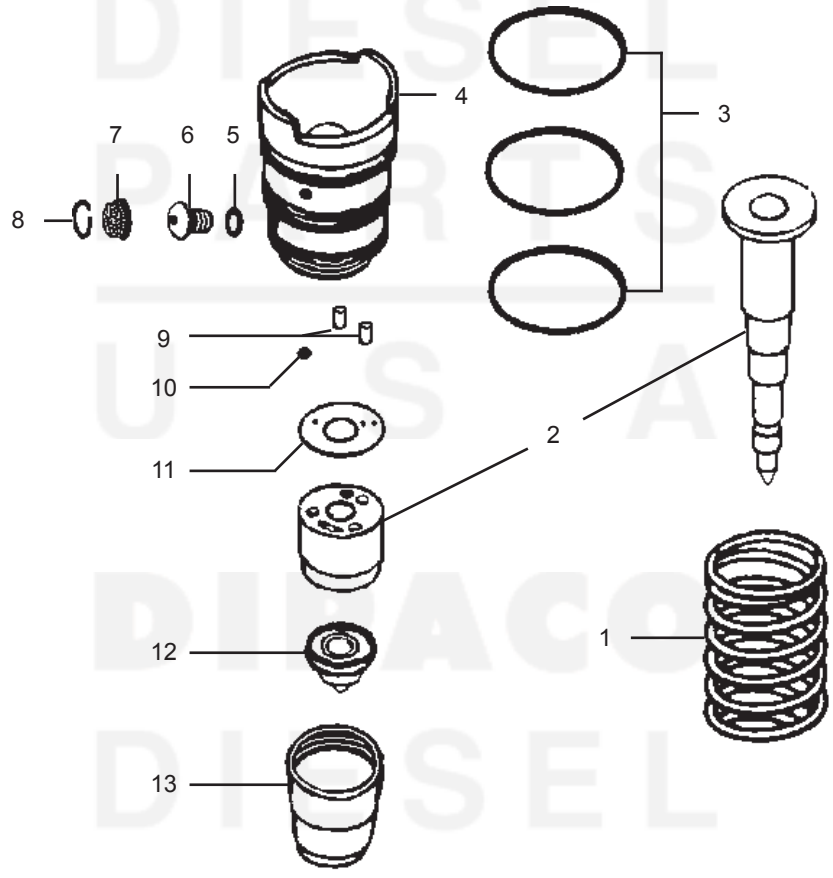


CUMMINS FUEL INJECTION SYSTEMS Top Stop Injector

REF	PART	DESCRIPTION	QTY
1	3049333	CAPSCREW, TWELVE POINT	2
2	3049332	CLAMP	1
3	3000465	LOCK NUT	1
4	212954	RETAINER	1
5	*	LINK	1
6	PAGE 75	PLUNGER AND BARREL	1
7	3015469	RETAINER	1
8	166009	SPRING	1
9	3000464	BODY	1
10	173086	ORIFICE GASKET	1
10	173086C	ORIFICE GASKET, COPPER	1
11	PAGE 77	ORIFICE PLUG	1
12	3008706	SCREEN	1
13	174299	CLIP	1
14	167157	CHECK BALL	1
15	203426	ROLL PIN	2
16	193736	O-RING	3
17	PAGE 76	CUP	1
18	185138	RETAINER	1

*Refer to Cummins Bulletin 3379664-23 or contact DIPACO customer service.

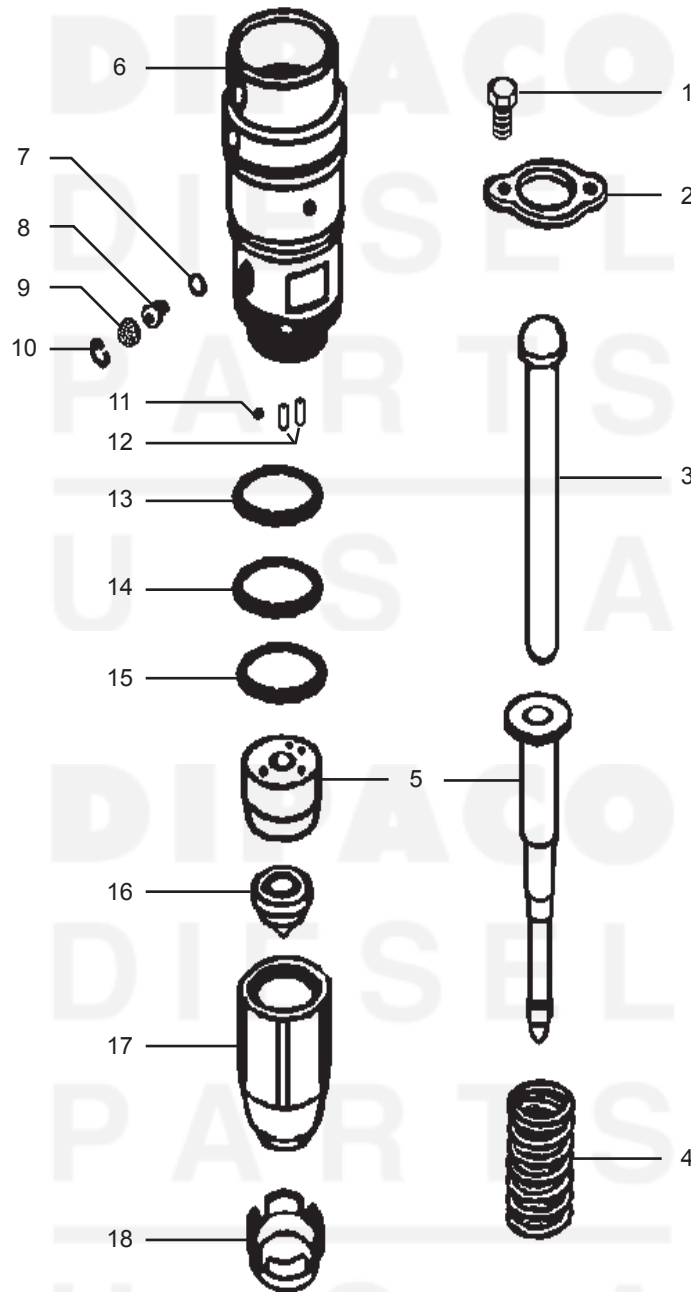
CUMMINS FUEL INJECTION SYSTEMS 5/16 PTD Injector



CUMMINS FUEL INJECTION SYSTEMS 5/16 PTD Injector

REF	PART	DESCRIPTION	QTY
1	166009	SPRING	1
2	PAGE 75	PLUNGER AND BARREL	1
3	101754	O-RING	3
4	556895	BODY	1
5	173086	ORIFICE GASKET	1
5	173086C	ORIFICE GASKET, COPPER	1
6	PAGE 77	ORIFICE	1
7	3008706	SCREEN	1
8	174299	CLIP	1
9	203426	ROLL PIN	2
10	167157	CHECK BALL	1
11	185782	GASKET	1
12	PAGE 76	CUP	1
13	556894	RETAINER	1

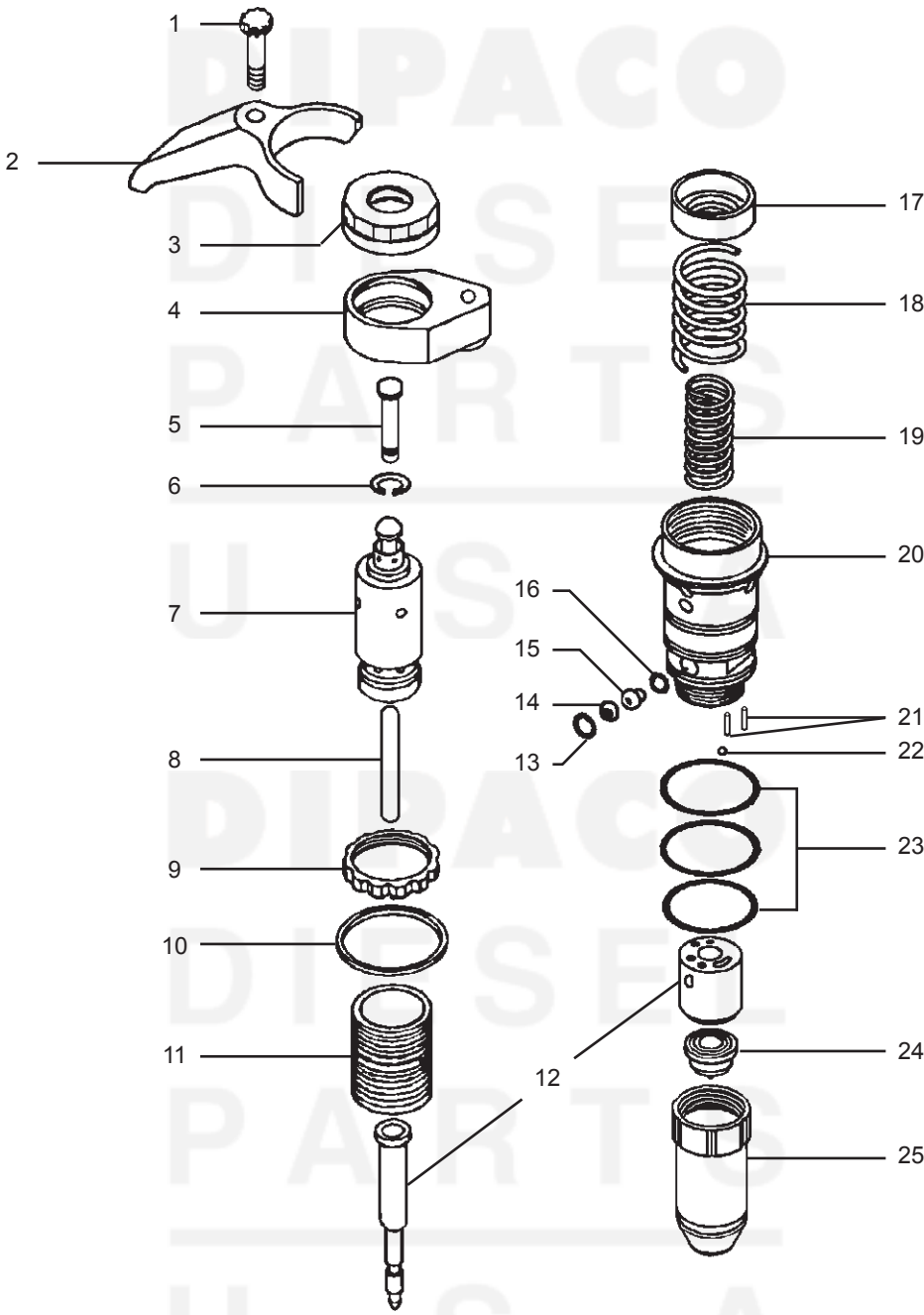
CUMMINS FUEL INJECTION SYSTEMS K-PTD Injector



REF	PART	DESCRIPTION	QTY
1	3070961	CAPSCREW	2
2	3006696	CLAMP	1
3	*	LINK	1
4	205464	SPRING	1
5	PAGE 75	PLUNGER AND BARREL	1
6	205463	BODY	1
7	173086	ORIFICE GASKET	1
7	173086C	ORIFICE GASKET, COPPER	1
8	PAGE 77	ORIFICE	1
9	3008706	SCREEN	1
10	174299	CLIP	1
11	167157	BALL	1
12	203426	ROLL PIN	2
13	3010510	O-RING	1
14	3347937	O-RING	1
15	193736	O-RING	1
16	PAGE 76	CUP	1
17	207245	RETAINER	1
18	207244	SEAL	1
18	3001658	SEAL	1
18	3001659	SEAL	1
18	3001660	SEAL	1

*Refer to Cummins Bulletin 3379664-23 or contact DIPACO customer service.

CUMMINS FUEL INJECTION SYSTEMS NT & N14 STC Injector

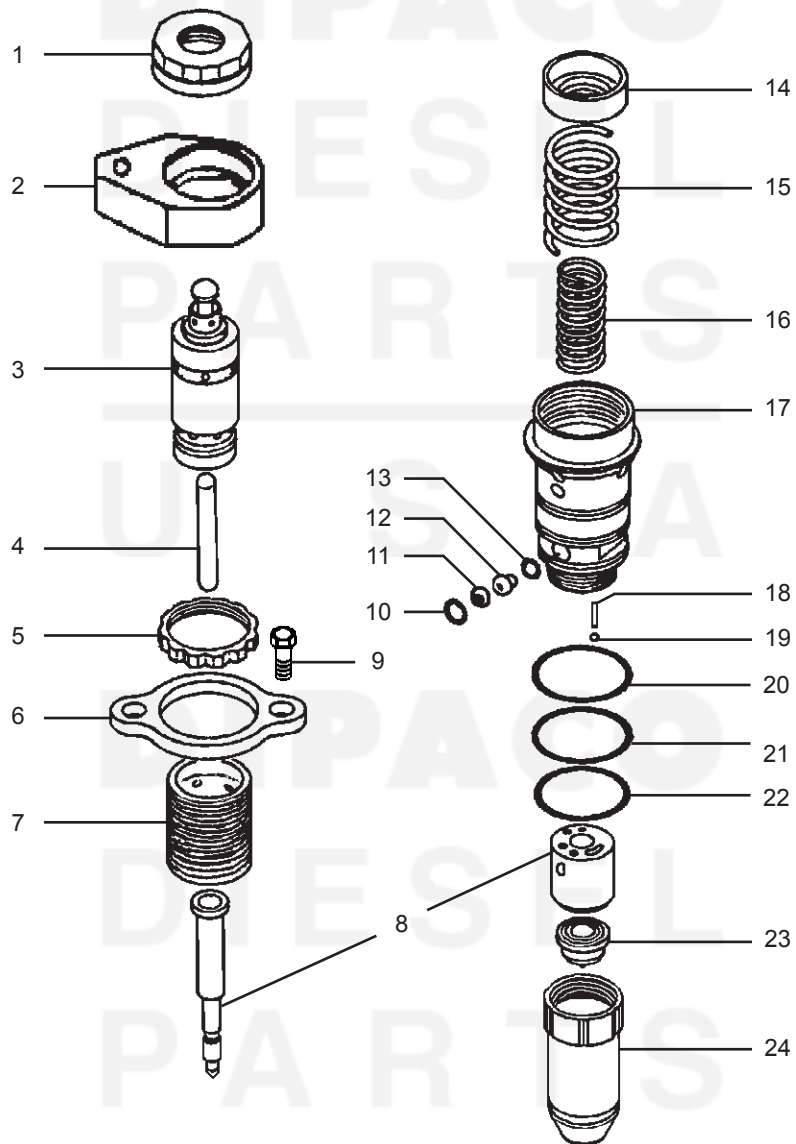


REF	PART	DESCRIPTION	QTY	REF	PART	DESCRIPTION	QTY
1	3058686	CAPSCREW	1		3803101	TAPPET REPAIR KIT	
2	3048326	CLAMP	1			THIN SOCKET	
3	3068859	CAP	1	-	3027988	RETAINING RING	1
4	3062139	NUT	1	-	3027994	SPRING	1
5	**	LINK	1	-	3027996	BALL	1
6	3052231	RETAINER	1	-	3031198	SOCKET	1
7	*	TAPPET	1	-	3050345	SPRING	1
8	3062009	LINK	1	-	3062119	CHECK BALL	1
9	3000465	LOCK NUT	1	-	3050344	GUIDE	1
10	3041493	WASHER	1	-	3054852	SPRING	1
11	3055742	SCREW	1	-	3076033	GUIDE SPRING	1
12	PAGE 75	PLUNGER AND BARREL	1				
13	174299	CLIP	1		3803497	TAPPET REPAIR KIT	
14	3008706	SCREEN	1			THICK SOCKET	
15	PAGE 77	ORIFICE	1	-	3027988	RETAINING RING	1
16	173086	ORIFICE GASKET	1	-	3027994	SPRING	1
16	173086C	ORIFICE GASKET, COPPER	1	-	3027996	BALL	1
17	3052218	RETAINER	1	-	3050345	SPRING	1
18	3023478	SPRING	1	-	3054852	SPRING	1
18	3060615	SPRING	1	-	3062119	CHECK BALL	1
19	3034167	SPRING	1	-	3075384	SOCKET	1
19	3060614	SPRING	1	-	3075385	GUIDE	1
20	3023934	BODY	1	-	3076033	GUIDE SPRING	1
21	203426	ROLL PIN	2				
22	167157	CHECK BALL	1		3804700	TAPPET REPAIR KIT	
23	193736	O-RING. VITON	3			THICK SOCKET MUSHROOM TYPE	
24	PAGE 76	CUP	1	-	3027988	RETAINING RING	1
25	185138	NUT	1	-	3027994	SPRING	1
				-	3027996	BALL	1
				-	3054852	SPRING	1
				-	3076033	GUIDE	1
				-	3085343	SLEEVE	1
				-	3085344	MUSHROOM CHECK	1
				-	3085345	SOCKET	1

*Due to the amount of part numbers available consult Cummins Technical Bulletin 97T6-10 or contact DIPACO customer service.

**Refer to Cummins Bulletin 3379664-23 or contact DIPACO customer service.

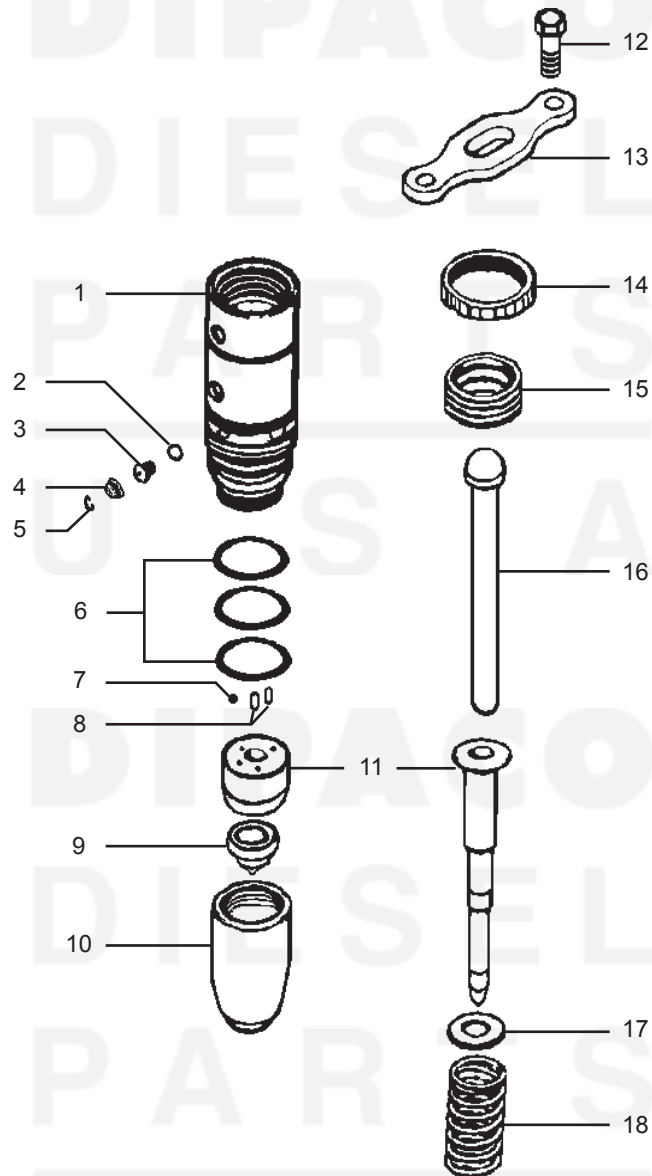
CUMMINS FUEL INJECTION SYSTEMS K-STC Injector



REF	PART	DESCRIPTION	QTY	REF	PART	DESCRIPTION	QTY
1	3068859	CAP	1		3803101	TAPPET REPAIR KIT	
2	3055743	NUT	1			ONLY THIN SOCKET TAPPET 3062122	
3	3279850*	TAPPET ASSY	1	-	3027988	RETAINING RING	1
4	**	LINK	1	-	3027994	SPRING	1
5	3000465	LOCK NUT	1	-	3027996	BALL	1
6	3048326	CLAMP	1	-	3031198	SOCKET	1
7	3055742	SCREW	1	-	3050345	SPRING	1
8	PAGE 75	PLUNGER AND BARREL	1	-	3062119	CHECK BALL	1
9	3070962	SCREW	2	-	3050344	GUIDE	1
10	174299	CLIP	1	-	3054852	SPRING	1
11	3008706	SCREEN	1	-	3076033	GUIDE SPRING	1
12	PAGE 77	ORIFICE	1				
13	173086	ORIFICE GASKET	1		3801688	TAPPET REPAIR KIT	
13	173086C	ORIFICE GASKET, COPPER	1			THIN SOCKET (ALL EXCEPT	
14	3052218	RETAINER	1			TAPPET 3062122)	
15	3042428	SPRING	1	-	3027988	RETAINING RING	1
16	3042427	SPRING	1	-	3027994	SPRING	1
17	3042425	BODY	1	-	3027996	BALL	1
18	203426	ROLL PIN	2	-	3031196	SOCKET	1
19	167157	CHECK BALL	1	-	3050344	GUIDE	1
20	3010510	O-RING, RED DOT	1	-	3050345	SPRING	1
21	193736	O-RING, GREEN DOT	1	-	3050346	BALL	1
22	3347937	O-RING	1	-	3054852	SPRING	1
23	PAGE 76	CUP	1	-	3076033	GUIDE	1
24	3042430	RETAINER	1				
		*Due to the amount of part numbers available consult Cummins Technical Bulletin 97T6-10 or contact DIPACO customer service.			3803497	TAPPET REPAIR KIT	
		**Refer to Cummins Bulletin 3379664-23 or contact DIPACO customer service.				THICK SOCKET	
				-	3027988	RETAINING RING	1
				-	3027994	SPRING	1
				-	3027996	BALL	1
				-	3050345	SPRING	1
				-	3054852	SPRING	1
				-	3062119	CHECK BALL	1
				-	3075384	SOCKET	1
				-	3075385	GUIDE	1
				-	3076033	GUIDE SPRING	1
					3804700	TAPPET REPAIR KIT	
						THICK SOCKET MUSHROOM TYPE	
				-	3027988	RETAINING RING	1
				-	3027994	SPRING	1
				-	3027996	BALL	1
				-	3054852	SPRING	1
				-	3076033	GUIDE	1
				-	3085343	SLEEVE	1
				-	3085344	MUSHROOM CHECK	1
				-	3085345	SOCKET	1

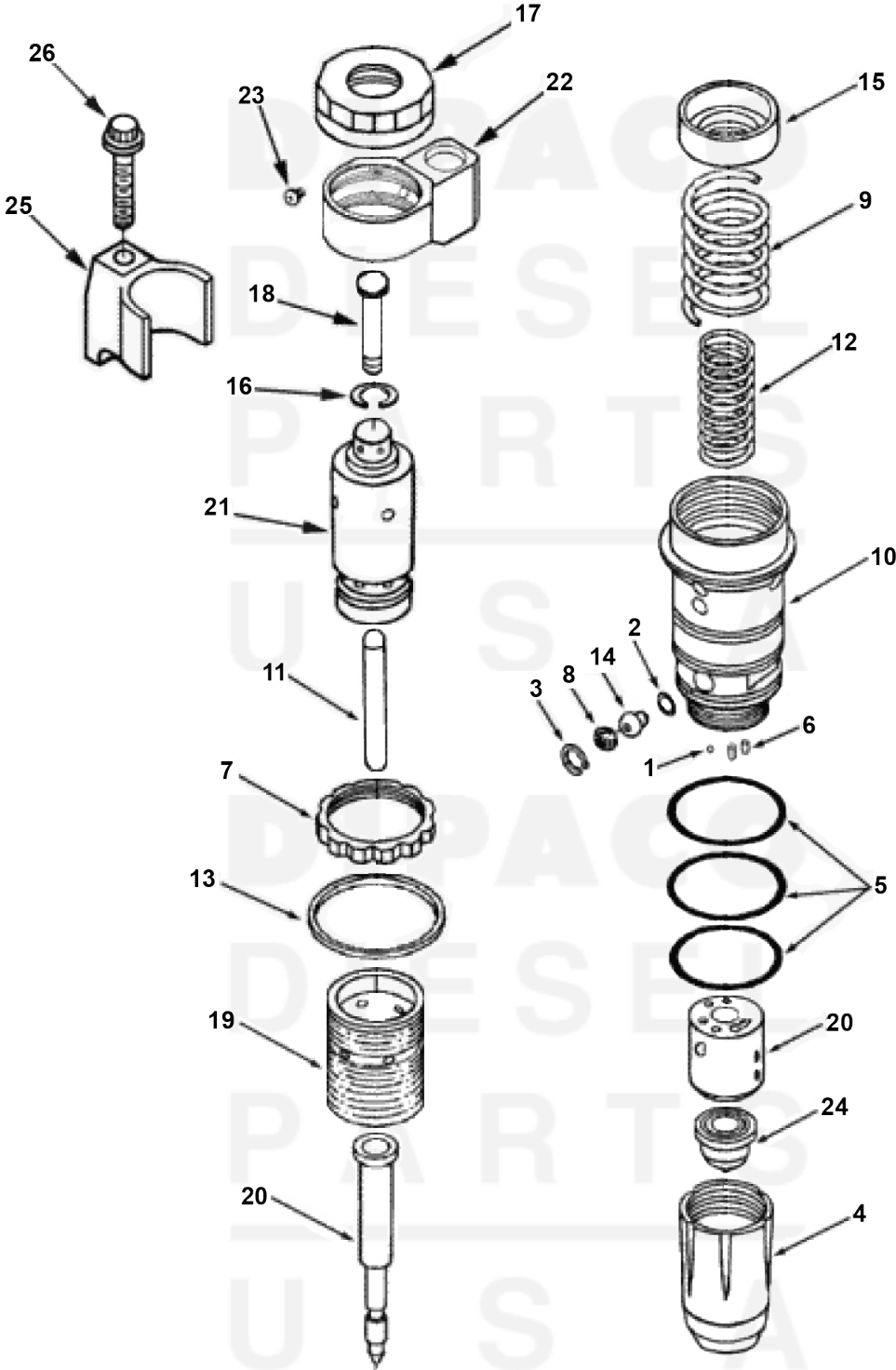
CUMMINS FUEL INJECTION SYSTEMS

L10 Injector



REF	PART	DESCRIPTION	QTY	REF	PART	DESCRIPTION	QTY
1	3028066	BODY	1				
2	173086	ORIFICE GASKET	1				
2	173086C	ORIFICE GASKET, COPPER	1				
3	PAGE 77	ORIFICE	1				
4	3008706	SCREEN	1				
5	174299	CLIP	1				
6	193736	O-RING	3				
7	167157	CHECK BALL	1				
8	203426	ROLL PIN	2				
9	PAGE 76	CUP	1				
10	185138	RETAINER	1				
11	PAGE 75	PLUNGER AND BARREL	1				
12	3028367	CAPSCREW	1				
13	3028346	CLAMP	1				
14	3009362	NUT	1				
15	3018772	SCREW	1				
16	*	LINK	1				
17	3049995	RETAINER	1				
18	3062104	SPRING	1				
		*Refer to Cummins Bulletin 3379664-23 or contact DIPACO customer service.					

CUMMINS FUEL INJECTION SYSTEMS L10 STC Injector



CUMMINS FUEL INJECTION SYSTEMS L10 STC Injector

REF	PART	DESCRIPTION	QTY	REF	PART	DESCRIPTION	QTY
1	167157	CHECK BALL	1		3801688	TAPPET REPAIR KIT	
2	173086	ORIFICE GASKET	1			THIN SOCKET	
2	173086C	ORIFICE GASKET, COPPER	1	-	3027988	RETAINING RING	1
3	174299	RETAINER	1	-	3027994	SPRING	1
4	3066693	RETAINER, INJECTOR CUP	1	-	3027996	BALL	1
5	193736	SEAL, O-RING	3	-	3031196	SOCKET	1
6	203426	PIN, ROLL	2	-	3050344	GUIDE	1
7	3068860	NUT, LOCK	1	-	3050345	SPRING	1
8	3008706	SCREEN	1	-	3050346	BALL	1
9	3060615	SPRING, INJECTOR	1	-	3054852	SPRING	1
10	3064881	ADAPTER, INJECTOR	1	-	3076033	GUIDE	1
11	**	LINK, INJECTOR PLUNGER	1				
12	3060614	SPRING, INJECTOR	1		3803497	TAPPET REPAIR KIT	
13	3068088	WASHER, PLAIN	1			THICK SOCKET	
14	PAGE 77	ORIFICE	1	-	3027988	RETAINING RING	1
15	3066707	RETAINER, INJECTOR SPRING	1	-	3027994	SPRING	1
16	3052231	RETAINER, INJECTOR LINK	1	-	3027996	BALL	1
17	3068859	CAP, TAPPET TOP STOP	1	-	3050345	SPRING	1
18	3070155	LINK, INJECTOR PLUNGER	1	-	3054852	SPRING	1
19	3055742	SCREW, INJECTOR STOP	1	-	3062119	CHECK BALL	1
20	PAGE 75	PLUNGER AND BARREL	1	-	3075384	SOCKET	1
21	*	TAPPET, HYD VAR TIMING	1	-	3075385	GUIDE	1
22	3074256	NUT, TAPPET TOP STOP LOCK	1	-	3076033	GUIDE SPRING	1
23	3074257	PLUG, ORIFICE	1				
24	PAGE 76	CUP, INJECTOR	1		3804700	TAPPET REPAIR KIT	
25	3882991	CLAMP, INJECTOR	6			THICK SOCKET MUSHROOM TYPE	
26	3882793	SCREW, TWELVE POINT CAP	6	-	3027988	RETAINING RING	1
-	3036230	SCREW, HEXAGON HEAD CAP	1	-	3027994	SPRING	1
-	3036460	WASHER, SPRING	1	-	3027996	BALL	1
-	3161585	CLIP	1	-	3054852	SPRING	1
				-	3076033	GUIDE	1
				-	3085343	SLEEVE	1
				-	3085344	MUSHROOM CHECK	1
				-	3085345	SOCKET	1

*Due to the amount of part numbers available consult Cummins Technical Bulletin 97T6-10 or contact DIPACO customer service.

**Refer to Cummins Bulletin 3379664-23 or contact DIPACO customer service.

GOVERNOR SPRING PACK

High Speed Springs With Color Code

REF	PART	DESCRIPTION	REF	PART	DESCRIPTION	QTY
-	143247	YELLOW	-	3004753	PINK/YELLOW	
-	143248	YELLOW/GREEN	-	3004754	PINK/GREEN	
-	143249	YELLOW/WHITE	-	3004755	PINK/WHITE	
-	143250	RED/WHITE	-	3004756	PINK/BLUE	
-	143251	BLUE/PURPLE	-	3051817	RED/BLUE/YELLOW	
-	143252	RED	-	3051818	RED/BLUE/WHITE	
-	143253	RED/YELLOW	-	3052119	RED/BLUE/GREEN	
-	143254	RED/PURPLE	-	3052120	RED/BLUE/PURPLE	
-	143255	RED/GREEN	-	3052121	RED/BLUE/ORANGE	
-	143256	WHITE/BLUE	-	3052122	RED/GREEN/ORANGE	
-	144478	WHITE	-	3053100	BLACK/PINK	
-	144479	GREEN	-	3053101	GRAY/PINK	
-	144490	ORANGE	-	3053102	ORANGE/PINK	
-	144491	LT BLUE	-	3053103	LT BLUE/PINK	
-	147292	PURPLE	-	3053104	PINK/PURPLE	
-	147293	ORANGE/YELLOW	-	3053105	PINK/RED	
-	147294	WHITE/PURPLE	-	3053106	BLACK/BLUE/GREEN	
-	147295	ORANGE/RED	-	3053107	BLACK/BLUE/GRAY	
-	147296	GREEN/PURPLE	-	3053108	BLACK/BLUE/LT BLUE	
-	153232	BLUE	-	3053109	BLACK/BLUE/ORANGE	
-	153235	GREEN/ORANGE	-	3053110	BLACK/BLUE/PINK	
-	153236	GREEN/BLUE	-	3053111	BLACK/BLUE/PURPLE	
-	153237	BLUE/YELLOW	-	3053112	BLACK/BLUE/RED	
-	153238	BLUE/RED	-	3053113	BLACK/BLUE/WHITE	
-	3000932	PURPLE/LT BLUE	-	3053114	BLACK/BLUE/YELLOW	
-	3000933	PURPLE/ORANGE	-	3053183	LT BLUE/WHITE	
-	3000934	BLUE/LT BLUE				
-	3000935	LT BLUE/GREEN				
-	3000936	YELLOW/LT BLUE				
-	3000937	WHITE/LT BLUE				
-	3000938	RED/LT BLUE				
-	3000939	WHITE/ORANGE				
-	3000940	ORANGE/LT BLUE				
-	3000941	GREEN/WHITE				
-	3001146	YELLOW/PURPLE				
-	3001147	BLACK				
-	3001148	BLACK/GREEN				
-	3001149	BLACK/WHITE				
-	3001150	BLACK/YELLOW				
-	3001151	BLACK/RED				
-	3001152	BLACK/BLUE				
-	3001153	GRAY				
-	3001154	BLACK/ORANGE				
-	3001155	BLACK/LT BLUE				
-	3001156	BLACK/PURPLE				
-	3001157	YELLOW/GRAY				
-	3001158	GREEN/GRAY				
-	3001159	GRAY/WHITE				
-	3001160	GRAY/RED				
-	3001161	GRAY/BLUE				
-	3001162	GRAY/BLACK				
-	3001163	GRAY/ORANGE				
-	3004750	GRAY/PURPLE				
-	3004751	GRAY/LT BLUE				
-	3004752	PINK				

GOVERNOR SPRING PACK Idle Spring Plunger Buttons

REF	PART	DESCRIPTION	REF	PART	DESCRIPTION
		CODE/COUNTERBORE DIAMETERS			
-	137370	40 - .2785/.2815"			
-	138862	45 - .2885/.2915"			
-	139618	52 - .3035/.3065"			
-	139619	55 - .3085/.3115"			
-	139894	15 - .2285/.2315"			
-	140417	17 - .2335/.2365"			
-	140418	37 - .2735/.2765"			
-	140922	35 - .2685/.2715"			
-	140923	42 - .2835/.2865"			
-	140924	47 - .2935/.2965"			
-	140925	50 - .2985/.3015"			
-	140926	57 - .3135/.3165"			
-	140927	60 - .3185/.3215"			
-	141623	5 - .2085/.2115"			
-	141624	7 - .2135/.2165"			
-	141625	10 - .2185/.2215"			
-	141626	12 - .2235/.2265"			
-	141629	20 - .2385/.2415"			
-	141630	22 - .2435/.2465"			
-	141631	25 - .2485/.2515"			
-	141632	27 - .2535/.2565"			
-	141633	30 - .2585/.2615"			
-	141634	32 - .2635/.2665"			
-	141636	62 - .3235/.3265"			
-	141637	65 - .3285/.3315"			
-	141638	67 - .3335/.3365"			
-	145947	170 - .3385/.3415"			
-	145948	172 - .3435/.3465"			
-	145949	175 - .3485/.3515"			
-	145950	177 - .3535/.3565"			
-	145951	180 - .3585/.3615"			
-	145952	182 - .3635/.3665"			
-	145953	185 - .3685/.3715"			
-	145954	187 - .3735/.3765"			
-	145955	190 - .3785/.3815"			
-	145956	192 - .3835/.3865"			
-	145957	195 - .3885/.3915"			
-	145958	197 - .3935/.3965"			
-	145959	200 - .3985/.4015"			
-	145960	202 - .4035/.4065"			
-	145961	205 - .4085/.4115"			
-	145962	207 - .4135/.4165"			
-	145963	210 - .4185/.4215"			
-	145964	212 - .4235/.4265"			
-	145965	215 - .4285/.4315"			
-	145966	217 - .4335/.4365"			
-	145967	220 - .4385/.4415"			
-	145968	222 - .4435/.4465"			
-	145969	225 - .4485/.4515"			
-	145970	227 - .4535/.4565"			
-	145971	230 - .4585/.4615"			
-	145972	232 - .4635/.4665"			
-	145973	235 - .4685/.4715"			

GOVERNOR Governor Plungers And Assemblies

REF	PART	DESCRIPTION	REF	PART	DESCRIPTION	QTY
		203350 SERIES AFC & PTG			3009380 AFC TAPER SEAT	
-	203350-0	STANDARD - RED	-	3009380-0	STANDARD - RED	
-	203350-1	.3747 - BLUE	-	3009380-1	.3747 - BLUE	
-	203350-2	.3748 - GREEN	-	3009380-2	.3748 - GREEN	
-	203350-3	.3749 - YELLOW	-	3009380-3	.3749 - YELLOW	
-	203350-4	.3750 - ORANGE	-	3009380-4	.3750 - ORANGE	
-	203350-5	.3751 - BLACK	-	3009380-5	.3751 - BLACK	
-	203350-6	.3752 - GRAY	-	3009380-6	.3752 - GRAY	
-	203350-7	.3753 - PURPLE	-	3009380-7	.3753 - PURPLE	
-	203350-8	.3754 - BROWN	-	3009380-8	.3754 - BROWN	
-	203350-9	.3755 - PINK	-	3009380-9	.3755 - PINK	
-	203350-10	.3756 - RED/GRAY	-	3009380-10	.3756 - RED/GRAY	
-	203350-11	.3757 - BLUE/GRAY	-	3009380-11	.3757 - BLUE/GRAY	
-	203350-12	.3758 - GREEN/GRAY	-	3009380-12	.3758 - GREEN/GRAY	
-	203350-13	.3759 - YELLOW/GRAY	-	3009380-13	.3759 - YELLOW/GRAY	
-	203350-14	.3760 - ORANGE/GRAY	-	3009380-14	.3760 - ORANGE/GRAY	
-	203350-15	.3761 - BLACK/GRAY				
-	203350-16	.3762 - VIOLET/GRAY				
-	203350-17	.3763 - BROWN/GRAY				
-	203350-18	.3764 - PINK/GRAY	-	3039070	GOVERNOR PLUNGER ASSEMBLIES	
-	203350-19	.3765 - BLUE/PURPLE	-	203350	GOVERNOR PLUNGER ASSY	1
-	203350-20	.3766 - RED/PURPLE	-	3027633	GOVERNOR PLUNGER - BY SIZE	1
-	203350-21	.3767 - BLACK/PURPLE	-	3027633	WASHER	1
-	203350-22	.3768 - GREEN/PURPLE	-	3048557	SPACER	1
-	203350-23	.3769 - YELLOW/PURPLE	-	70690	DRIVER	1
-	203350-24	.3770 - BROWN/PURPLE	-	3010810	GOVERNOR PLUNGER ASSY	1
-	203350-25	.3771 - ORANGE/PURPLE	-	3009380	GOVERNOR PLUNGER - BY SIZE	1
		3009380 AFC TAPER SEAT	-	3027633	WASHER	1
-	3009380-0	STANDARD - RED	-	3048557	SPACER	1
-	3009380-1	.3747 - BLUE	-	70690	DRIVER	1
-	3009380-2	.3748 - GREEN	-	3040760	GOVERNOR PLUNGER ASSY	1
-	3009380-3	.3749 - YELLOW	-	3040750	GOVERNOR PLUNGER - BY SIZE	1
-	3009380-4	.3750 - ORANGE	-	3027633	WASHER	1
-	3009380-5	.3751 - BLACK	-	3048557	SPACER	1
-	3009380-6	.3752 - GRAY	-	70690	DRIVER	1
-	3009380-7	.3753 - PURPLE	-	3063080	GOVERNOR PLUNGER ASSY	1
-	3009380-8	.3754 - BROWN	-	3063060	GOVERNOR PLUNGER - BY SIZE	1
-	3009380-9	.3755 - PINK	-	3027633	WASHER	1
-	3009380-10	.3756 - RED/GRAY	-	3048557	SPACER	1
-	3009380-11	.3757 - BLUE/GRAY	-	70690	DRIVER	1
-	3009380-12	.3758 - GREEN/GRAY	-	3065420	GOVERNOR PLUNGER ASSY	1
-	3009380-13	.3759 - YELLOW/GRAY	-	3063060	GOVERNOR PLUNGER - BY SIZE	1
-	3009380-14	.3760 - ORANGE/GRAY	-	3021488	WASHER	1
		3040750 AFC	-	3021489	WASHER	1
-	3040750-0	STANDARD - RED	-	3066638	SPACER	1
-	3040750-1	.3747 - BLUE	-	70690	DRIVER	1
-	3040750-2	.3748 - GREEN				
-	3040750-3	.3749 - YELLOW				
-	3040750-4	.3750 - ORANGE				
-	3040750-5	.3751 - BLACK				

TORQUE CONTROL Torque Control Springs

REF	PART	DESCRIPTION	REF	PART	DESCRIPTION
		TORQUE CONTROL SPRINGS WITH COLOR CODE			
-	138768	RED	-	142862	RED/BLUE/ORANGE
-	138769	BLUE	-	142864	WHITE/BLUE/YELLOW
-	138780	GREEN	-	142865	RED/WHITE/ORANGE
-	138781	YELLOW	-	142866	BLUE/ORANGE/GREEN
-	138782	RED/BLUE	-	142867	GREEN/WHITE
-	138783	RED/GREEN	-	142868	YELLOW/ORANGE
-	138784	RED/YELLOW	-	142869	RED/BLUE/YELLOW
-	138785	RED/ORANGE	-	142870	RED/GREEN/YELLOW
-	138786	BLUE/ORANGE	-	3002047	WHITE/PURPLE
-	138787	GREEN/ORANGE	-	3002048	WHITE/RED/LT BLUE
-	138788	YELLOW/LT BLUE	-	3002049	ORANGE/PURPLE
-	138789	RED/BLUE/BLACK	-	3002050	ORANGE/RED/LT BLUE
-	138790	RED/GREEN/BLACK	-	3002051	ORANGE/BLUE/PURPLE
-	138791	RED/YELLOW/BLACK	-	3002052	ORANGE/GREEN/PURPLE
-	138792	BLUE/GREEN/BLACK	-	3002053	WHITE/PINK
-	138793	RED/PURPLE	-	3002054	WHITE/RED/PURPLE
-	138794	BLUE/WHITE/ORANGE	-	3002055	ORANGE/GRAY
-	138795	GREEN/LT BLUE	-	3002056	ORANGE/RED/PURPLE
-	138796	YELLOW/GRAY	-	3002057	ORANGE/BLUE/PURPLE
-	138797	RED/BLUE/PURPLE	-	3002058	ORANGE/GREEN/PINK
-	138798	RED/GREEN/PURPLE	-	3035816	PURPLE/LT BLUE/BLUE
-	138799	RED/YELLOW/PURPLE	-	3035817	PURPLE/LT BLUE/GREEN
-	138800	BLUE/GREEN/PURPLE	-	3035818	PURPLE/LT BLUE/RED
-	138801	BLUE/YELLOW	-	3035819	PURPLE/LT BLUE/ORANGE
-	138802	GREEN/YELLOW	-	3035820	PURPLE/PINK/WHITE
-	138803	RED/GRAY/LT. BLUE	-	3035821	PURPLE/PINK/BLUE
-	138804	BLUE/GRAY/YELLOW	-	3035822	PURPLE/PINK/GREEN
-	138805	BLUE/YELLOW	-	3035823	PURPLE/PINK/RED
-	138993	GREEN/PINK	-	3051812	YELLOW/BLUE/RED
-	138994	YELLOW/PINK	-	3051813	YELLOW/BLUE/GREEN
-	138995	RED/BLUE/LT BLUE	-	3051814	YELLOW/BLUE/ORANGE
-	138996	RED/YELLOW/LT BLUE	-	3051815	YELLOW/BLUE/PURPLE
-	138997	BLUE/GREEN/LT BLUE	-	3051816	LT BLUE/BLUE/GREEN
-	138998	BLUE/YELLOW/LT BLUE	-	3052123	RED/BLUE/YELLOW
-	138999	GREEN/YELLOW/LT BLUE	-	3052124	RED/BLUE/WHITE
-	139584	BLUE/GREEN/PINK	-	3053156	LT BLUE
-	139585	BLUE/YELLOW/PURPLE	-	3053157	ORANGE
-	139586	GREEN/YELLOW/PURPLE	-	3053158	PINK
-	139587	BLUE/YELLOW/PINK	-	3053159	PURPLE
-	139588	GREEN/YELLOW/PINK	-	3053160	WHITE
-	142696	WHITE/BLUE/BLACK	-	3053161	BLACK/BLUE
-	142697	WHITE/YELLOW/BLACK	-	3053162	BLACK/RED
-	142698	WHITE/GREEN/BLACK	-	3053163	BLACK/LT BLUE
-	142699	WHITE/BLUE/PURPLE	-	3053164	BLACK/ORANGE
-	142701	WHITE/GREEN/PURPLE	-	3053165	BLACK/PINK
-	142703	WHITE/YELLOW/LT. BLUE	-	3053166	BLACK/PURPLE
-	142704	WHITE/GREEN/LT. BLUE	-	3053167	BLACK/WHITE
-	142705	WHITE/BLUE/GRAY	-	3053168	BLACK/YELLOW
-	142861	YELLOW/WHITE	-	3053169	BLUE/GREEN
-	142862	RED/BLUE/ORANGE	-	3053170	BLUE/GRAY
			-	3053171	BLUE/LT BLUE
			-	3053172	BLUE/PINK

TORQUE CONTROL

Torque Control Springs

REF	PART	DESCRIPTION
		TORQUE CONTROL SPRINGS WITH COLOR CODE
-	3053173	BLUE/PURPLE
-	3053174	BLUE/WHITE
-	3053175	GRAY/LT BLUE
-	3053176	GRAY/RED
-	3053177	GRAY/PINK
-	3053178	GRAY/PURPLE
-	3053179	GRAY/WHITE
-	3053180	LT BLUE/ORANGE
-	3053181	LT BLUE/PINK
-	3053182	LT BLUE/PURPLE
-	3821486	LT BLUE/BLUE/WHITE
-	3821487	LT BLUE/GREEN/WHITE
-	3821488	LT BLUE/RED/WHITE
-	3821489	LT BLUE/ORANGE/WHITE
-	3821490	PINK/WHITE/WHITE
-	3821491	PINK/BLUE/WHITE
-	3821492	PINK/GREEN/WHITE
-	3821493	PINK/RED/WHITE

THROTTLE SHAFTS Throttle Shafts And Assemblies

REF	PART	DESCRIPTION	QTY	REF	PART	DESCRIPTION	QTY
3006350 SERIES				THROTTLE SHAFT ASSEMBLIES			
AFC & PTG SLOT DESIGN				AR12530 THROTTLE ASSEMBLY			
-	3006350-0	.50090" - .50104" RED	1	-	3006350	PTG (SLOT) CLASS 0 - 15	
-	3006350-1	.50105" - .50119" BLUE	1	-	3006350	THROTTLE SHAFT	1
-	3006350-2	.50120" - .50134" GREEN	1	-	3006342	STOP	1
-	3006350-3	.50135" - .50149" YELLOW	1	-	3006344	SET SCREW	1
-	3006350-4	.50150" - .50164" ORANGE	1	-	3076040	ADJUSTING SCREW (NYLOCK INSERT)	1
-	3006350-5	.50165" - .50179" BLACK	1	-	213769	BALL (STEEL)	1
-	3006350-6	.50180" - .50194" GRAY	1	-	213768	O-RING	1
-	3006350-7	.50195" - .50209" PURPLE	1	-	100478	O-RING	1
-	3006350-8	.50210" - .50224" BROWN	1				
-	3006350-9	.50225" - .50239" WHITE	1				
-	3006350-10	.50240" - .50254" CREAM	1				
-	3006350-11	.50255" - .50269" BLUE/GRAY	1	-	3046680	3006430 THROTTLE ASSEMBLY	
-	3006350-12	.50270" - .50284" GREEN/GRAY	1	-	3076040	AFC & PTG (SLIT) CLASS 0 - 15	
-	3006350-13	.50285" - .50299" YELLOW/GRAY	1	-	3076040	THROTTLE SHAFT	1
-	3006350-14	.50300" - .50314" BROWN/GRAY	1	-	213769	ADJUSTING SCREW (NYLOCK INSERT)	1
-	3006350-15	.50315" - .50329" BLACK/GRAY	1	-	213769	BALL (STEEL)	1
				-	213768	O-RING	1
				-	100478	O-RING	1
3006360 SERIES				3006440 THROTTLE ASSEMBLY			
AFC & PTG HIGH OUTPUT SLOT DESIGN				HIGH OUTPUT AFC & PTG (SLOT)			
-	3006360-0	.50090" - .50104" RED	1	CLASS 0 - 7			
-	3006360-1	.50105" - .50119" BLUE	1	-	3006360	THROTTLE SHAFT	1
-	3006360-2	.50120" - .50134" GREEN	1	-	3076040	ADJUSTING SCREW (NYLOCK INSERT)	1
-	3006360-3	.60135" - .50149" YELLOW	1	-	213769	BALL (STEEL)	1
-	3006360-4	.50150" - .50164" ORANGE	1	-	213768	O-RING	1
-	3006360-5	.50165" - .50179" BLACK	1	-	100478	O-RING	1
-	3006360-6	.50180" - .50194" GRAY	1				
-	3006360-7	.50195" - .50209" PURPLE	1				
3046680 SERIES							
AFC & PTG SLIT DESIGN							
-	3046680-0	.50090" - .50104" RED	1				
-	3046680-1	.50105" - .50119" BLUE	1				
-	3046680-2	.50120" - .50134" GREEN	1				
-	3046680-3	.50135" - .50149" YELLOW	1				
-	3046680-4	.50150" - .50164" ORANGE	1				
-	3046680-5	.50165" - .50179" BLACK	1				
-	3046680-6	.50180" - .50194" GRAY	1				
-	3046680-7	.50195" - .50209" PURPLE	1				
-	3046680-8	.50210" - .50224" BROWN	1				
-	3046680-9	.50225" - .50239" WHITE	1				
-	3046680-10	.50240" - .50254" CREAM	1				
-	3046680-11	.50255" - .50269" BLUE/GRAY	1				
-	3046680-12	.50270" - .50284" GREEN/GRAY	1				
-	3046680-13	.50285" - .50299" YELLOW/GRAY	1				
-	3046680-14	.50300" - .50314" BROWN/GRAY	1				
-	3046680-15	.50315" - .50329" BLACK/GRAY	1				

INJECTOR PLUNGER AND BARREL

Injector Plungers

REF	PART	DESCRIPTION
-	D40063	INJECTOR PLUNGERS PTD 5/16 SMALL V PLUNGER From .313" to .323" .0005" increments
-	D40065	PTD STANDARD PLUNGER From .375" to .385" .0005" increments
-	D3018368	PTD TOP STOP PLUNGER From .375" to .385" .0005" increments
-	DC3018368	PTD TOP STOP CHROME PLUNGER From .375" to .385" .0005" increments
-	DK3018368	PTD-K CHROME PLUNGER From .375" to .385" .0005" increments
-	DL3018368	L-10 CHROME PLUNGER From .375" to .385" .0005" increments
-	DSTC	STC PLUNGER From .375" to .378" .0005" increments

INJECTOR PLUNGER AND BARREL Plunger And Barrel Assemblies

REF	PART	DESCRIPTION	REF	PART	DESCRIPTION
		P & B ASSEMBLIES			
-	40063	SMALL V			
-	73665	187326, SMALL V, HI FLOW			
-	3018322	NON-TOP STOP, LOW FLOW			
-	3018324	NON-TOP STOP, HI FLOW			
-	3018325	NON-TOP STOP, HI FLOW			
-	30545033	TOP STOP, HI FLOW			
-	3022968	TOP STOP, HI FLOW			
-	3054533	TOP STOP, HI FLOW			
-	3047963	TOP STOP, DIRECT FEED			
-	3018588	NON-TOP STOP, DIRECT FEED			
-	3049996	3202184			
-		L10, TOP STOP, DIRECT FEED			
-	3022968	TOP STOP, HI FLOW			
-	3037292	NON-TOP STOP, DIRECT FEED, K ENG.			
-	3047963	TOP STOP, DIRECT FEED			
-	3047964	NON-TOP STOP, DIRECT FEED			
-	3049996	TOP STOP, DIRECT FEED			
-	3052222	3047054			
-		STC, DIRECT FEED			
-	3054532	NON-TOP STOP, DIRECT FEED, HI FLOW			
-	3054533	TOP STOP, DIRECT FEED			
-	3058848	3058847			
-		NON-TOP STOP, DIRECT FEED, RDF			
-	3065348	3065346			
-		STC, DIRECT FEED			
-	3069707	3069707			
-		STC, DIRECT FEED, RDF			
-	3069718	3068083			
-		STC, DIRECT FEED, RDF			
-	3069758	3202184			
-		STC, TOP STOP, STEP PLUNGER			
-	3069766	3047054			
-		STC, TOP STOP, STEP PLUNGER			
-	3076125	3068083			
-		PREMIUM K, STC			

CUMMINS FUEL INJECTION SYSTEMS

Injector Cups

REF	PART	DESCRIPTION	SIZE	REF	PART	DESCRIPTION	SIZE
-	BM28818	SMALL SCREW ON C, J	7-.007x18°	-	3069717	STC, L10	8-.007-14°
-	BM28923	LARGE SCREW ON	8-.009-21°	-	3069756	L10	10-.006x10°
-	BM28826	LARGE SCREW ON	7-.007x21°	-	3069764	NH, NT 855	8-.007x14°
-	BM32321	SMALL SCREW ON C, J	7-.006x18°	-	3070615	PTD STC	8-.0065x18°
-	BM54732	SMALL SCREW ON C, J	7-.006x16°	-	3071046	PTD NH, NT, V	7-.0073x14°
-	BM68672	LARGE SCREW ON	8-.0065x18°	-	3071564	STC, L10	8-.0067-14°
-	BM70194	SMALL SCREW ON C, J	8-.006x14°	-	3071648	STC	8-.0073-17°
-	BM77082	LARGE SCREW ON	8-.007-21°	-	3073570	STC NT	8-.0072x17°
-	3001314	PTD K	10-.0085x10°	-	3073573	STC	8-.0072-14°
-	3003924	NH, NT V	7-.006-21°	-	3073575	PTD NH, NT	8-.0076x17°
-	3003926	NH, NT V	8-.0065-18°	-	3073753	PTD L-10	9-.0072x10°
-	3003929	PTD V	7-.0075x4°	-	3074253	L10	8-.0072x14°
-	3003930	PTD V	7-.008x4°	-	3074254	STC, L10	8-.007-14°
-	3003931	PTD V	7-.0075x6°	-	3074255	L10	8-.0068x14°
-	3003932	PTD K	9-.0085x7°	-	3077716	STC, K PREMIUM	10-.009-10°
-	3003933	PTD K	9-.0085x10°	-	3077719	STC, NT	8-.007-18°
-	3004054	PTD V	9-.007x6°	-	3087649	STC ISM, M11	8-.008-13°
-	3005963	PTD K	10-.0075x10°	-	3202078	PTD L10	8-.006x10°
-	3006540	PTD V	8-.006x2°	-	3275265	PTD SMALL V	7-.0055x4°
-	3006543	PTD V	9-.0065x2°	-	3275266	PTD SMALL V	7-.006x4°
-	3012535	PTD NH, HT, V12	8-.007x18°	-	3275267	PTD SMALL V	7-.006x3°
-	3012535H	PTD NH, HT, V12	8-.007x18°	-	3275417	PTD SMALL V	7-.0055x6°
-	3012536	PTD NH, HT, V12	8-.008x18°	-	3278446	PTD L-10	9-.006x10°
-	3012536H	PTD NH, HT, V12	8-.008x18°	-	3279720	STC, K PREMIUM	10-.0095-10°
-	3012537	PTD NH, HT, V12	8-.0065x18°	-	3279747	STC, K PREMIUM	
-	3012537H	PTD NH, HT, V12	8-.0065x18°	-	3279755	STC, K	10-.009-10°
-	3012538	PTD NH, NT, V12	9-.008x18°	-	3279776	STC, K	10-.0088-10°
-	3012538H	PTD NH, HT, V12	9-.008x18°				
-	3018777	PTD NH, L10	10-.0065x12°			H=HARDENED*	
-	3018813	PTD NH, NT, V12	10-.0065x18°			*DIPACO offers several	
-	3018814	PTD NH, NT, V12	10-.007x18°			cups in hardened steel.	
-	3018860	PTD	7-.007x17°			Our normal cups have a	
-	3018861	PTD	7-.006x21°			hardness of Rockwell C30.	
-	3018862	PTD	8-.009x18°			The hardened cups, which	
-	3018863	PTD	7-.007x21°			have a Rockwell C45	
-	3020793	V	8-.005-4°			hardness rating, offer	
-	3022154	PTD V903	8-.006x4°			more erosion resistance	
-	3023556	PTD NH, NT, V12	9-.0085x18°			and provide longer life.	
-	3023556H	PTD NH, NT, V12	9-.0085x18°				
-	3024148	PTD NH, NT, V12	9-.009x18°				
-	3028068	PTD L10	9-.007x10°				
-	3042713	STC, K PREMIUM	10-.0085-10°				
-	3052229	PTD STC	8-.0093x18°				
-	3052522	PTD STC	8-.008x18°				
-	3052630	PTD NH, NT, STC	8-.009x18°				
-	3053742	PTD NH, NT	9-.0086x18°				
-	3056341	L10	10-.006x10°				
-	3059423	PTD K	8-.007x14°				
-	3059399	PTD, NH	8-.008x18°				
-	3059929	STC, K PREMIUM	10-.014-10°				
-	3063227	STC	8-.007x14°				
-		(USE 3070615)					
-	3064252	STC	9-.007x14°				
-	3067404	(USE 3068895)					
-	3068895	STC, NH, NT	8-.0078x14°				

CUMMINS FUEL INJECTION SYSTEMS Injector Orifices / Button Head Orifices

REF	PART	DESCRIPTION	REF	PART	DESCRIPTION
		BUTTON HEAD ORIFICE			
-	3044990	.015" OPENING	-	3045043	.068" OPENING
-	3044991	.016" OPENING	-	3045044	.069" OPENING
-	3044992	.017" OPENING	-	3045045	.070" OPENING
-	3044993	.018" OPENING			
-	3044994	.019" OPENING			
-	3044995	.020" OPENING			
-	3044996	.021" OPENING			
-	3044997	.022" OPENING			
-	3044998	.023" OPENING			
-	3044999	.024" OPENING			
-	3045000	.025" OPENING			
-	3045001	.026" OPENING			
-	3045002	.027" OPENING			
-	3045003	.028" OPENING			
-	3045004	.029" OPENING			
-	3045005	.030" OPENING			
-	3045006	.031" OPENING			
-	3045007	.032" OPENING			
-	3045008	.033" OPENING			
-	3045009	.034" OPENING			
-	3045010	.035" OPENING			
-	3045011	.036" OPENING			
-	3045012	.037" OPENING			
-	3045013	.038" OPENING			
-	3045014	.039" OPENING			
-	3045015	.040" OPENING			
-	3045016	.041" OPENING			
-	3045017	.042" OPENING			
-	3045018	.043" OPENING			
-	3045019	.044" OPENING			
-	3045020	.045" OPENING			
-	3045021	.046" OPENING			
-	3045022	.047" OPENING			
-	3045023	.048" OPENING			
-	3045024	.049" OPENING			
-	3045025	.050" OPENING			
-	3045026	.051" OPENING			
-	3045027	.052" OPENING			
-	3045028	.053" OPENING			
-	3045029	.054" OPENING			
-	3045030	.055" OPENING			
-	3045031	.056" OPENING			
-	3045032	.057" OPENING			
-	3045033	.058" OPENING			
-	3045034	.059" OPENING			
-	3045035	.060" OPENING			
-	3045036	.061" OPENING			
-	3045037	.062" OPENING			
-	3045038	.063" OPENING			
-	3045039	.064" OPENING			
-	3045040	.065" OPENING			
-	3045041	.066" OPENING			
-	3045042	.067" OPENING			

CUMMINS FUEL INJECTION SYSTEMS STC And Celect™ Service Repair Kits

REF	PART	DESCRIPTION	QTY	REF	PART	DESCRIPTION	QTY
	3803282	STC REPAIR KIT			3803478	CELECT™ SERVICE REPAIR KIT	
-	3045986	SEAL, O-RING	1			Fits late style pumps with a stepped seal bore.	
-	3066914	SEAL, O-RING	1	-	3803477	SEAL KIT	1
-	3042542	SEAL, O-RING	2	-	3080837	GASKET, GEAR PUMP MOUNTING	1
-	3034408	SEAL, O-RING	1	-	146483	FILTER SCREEN	1
-	8078	WASHER, PLAIN	1	-	110855	GASKET, GEAR PUMP	1
-	3073998	DISC VALVE	1	-	3069103	GASKET, FUEL PUMP MOUNT	1
-	3054407	DIAPHRAGM	1	-	139988	SQUARE CUT O-RING	1
-	3070108	GASKET	1	-	202897	DIAPHRAGM, DAMPER	1
-	3070186	WASHER, PLAIN	1	-	129888	SQUARE CUT O-RING	2
-	70446	SCREW, HEXHEAD CAP	1	-	100099	SQUARE CUT O-RING	1
-	3069998	SEAL, WASHER	1	-	160514	WASHER	1
-	3051069	SPRING, COMPRESSION	1	-	213079	SQUARE CUT O-RING	1
-	3054526	SPRING, COMPRESSION	1	-	151900	SQUARE CUT O-RING	1
-	3056072	SPRING, COMPRESSION	1	-	3037537	O-RING	1
-	3056073	SPRING, COMPRESSION	1	-	3056415	O-RING	1
-	3003156	WIRE, SEAL	1	-	3034412	O-RING	1
-	3034412	SEAL, O-RING	1	-	3021123	O-RING	1
-	3036666	SEAL, O-RING	3				
-	3037537	SEAL, O-RING	2				
-	3046201	SEAL, O-RING	2				

CUMMINS FUEL INJECTION SYSTEMS Pump Torque Specifications

COMPONENT	TORQUE VALUES		COMPONENT	TORQUE VALUES	
	IN./LB	(NEWTON/ METERS)		IN./LB	(NEWTON/ METERS)
AIR FUEL CONTROL			GENERAL		
AFC Cover Capscrew (Fillister 1/4-20 x 1)	30	(3.4)	Capscrew, Housing to Cover (P/N S171C and 70790, 1/4-20)	154	(6.1)
AFC Piston Bellows Nuts	30	(3.4)	Straight Thread O-Ring (5/16-24)	54	(6.1)
AFC Jam Nut (1/4-28)	30	(3.4)	Straight Thread O-Ring (3/8-24)	54	(6.1)
Jam Nut No AFC (5/16-24)	30	(3.4)	Straight Thread O-Ring (7/16-20)	84	(9.5)
AFC Dual Spring Jam Nut (P/N 3051461 10-32)	30	(3.4)	Straight Thread O-Ring (1/2-20)	84	(9.5)
AFC Adj Screw Jam Nut (P/N 3069015 1/4-28)	50	(5.6)	Straight Thread O-Ring Male Union (9/16-18)	120	(13.5)
Hydraulic ASA Valve Assy.	84	(9.5)	Straight Thread O-Ring Male Union (3/4-16)	120	(13.5)
AFC Check Valves	120	(13.5)	Hex Head Capscrew (Unless specified otherwise)	120	(13.5)
FUEL PUMP HOUSING			Capscrews TMD & MVS Governor (3/16-24)	204	(23.0)
Throttle Leakage Screw	30	(3.4)	Fuel Strainer Cap	204	(23.0)
Acorn Nuts, Throttle Travel Screw, VS Throttle Housings			MVS Governor		
Throttle Lever Screw (P/N 70208 Fillister 10-32)	30	(3.4)	Pressure Regulator Cap	204	(23.0)
EFC Gov Hex Head Screws (1/4-20 x 1 1/8)	54	(6.1)	GEAR PUMP		
Throttle Shaft Set Screws, VS	54	(6.1)	Gear Pump Cooling Kit Jam Nut	84	(9.5)
Throttle Shaft Set Screws, Auto	84	(9.5)	Gear Pump Socket Head Capscrews	120	(13.5)
Throttle Adj Screw Jam Nut (1/4-28 except VS)	84	(9.5)	Gear Pump Inlet Fitting and Jam Nuts	204	(23.0)
Tach Adapter Screws (PTR & Old PTG)	64	(6.1)	PTR Fuel Overflow Outlet	204	(13.5)
VS Gov Barrel Retaining Setscrew	84	(9.5)	PIPE PLUGS		
Fuel Strainer Caps, Auto	120	(13.5)	1/8" with Coated Dry Sealant (Excluding SOV)	54	(6.1)
Injector Orifice Plug (Century and Pacer EFC)	10	(1.1)	1/6" in Aluminum Oiled	54	(6.1)
FRONT COVER			1/8" Uncoated (Excluding SOV)	84	(9.5)
VS Front Cover Capscrews (P/N 3028868 10-24 x 1 1/4)	30	(3.4)	1/4" with Greased Threads	204	(23.0)
Front Cover Capscrews (P/N S188C 1/4-20 x 5/8)	54	(6.1)	SHUTDOWN VALVE		
Front Cover Allen Head Screws (10-24 x 1 1/4)	54	(6.1)	Capscrew (10-24 Fillister)	30	(3.4)
Drive Coupling Capscrew (AFC W/Tach in Cover)	54	(6.1)	1/8" Pipe Plug	84	(9.5)
Drive Coupling Capscrews (PTR and PTG)	84	(9.5)	1/4" Pipe Plug Coated	84	(9.5)
Front Cover Capscrew w/Nylon Seal	120	(13.5)	Socket Head Capscrew (1/4-20)	120	(13.5)
Front Cover Tach Adapter	204	(23.0)	STC VALVE		
VS Throttle Housing with Self Sealing Jam Nut	204	(23.0)	Hex Head Capscrew (P/N 70446 1/4-20)	30	(3.4)
			Straight Thread Elbows and Tees Oiled 9/16-18)	204	(23.0)
			Straight Thread Elbows and Tees (Oiled 3/4-16)	204	(23.0)

DIPACO FUEL PUMP OVERHAUL KITS PTG Gasket And Overhaul Kits

IN ADDITION TO DIPACO'S COMPLETE GASKET KIT ASSORTMENT YOU CAN SPECIALIZE YOUR PTG GASKET KIT REQUIREMENTS. USE THE LAST COLUMN MARKED "SPECIAL" AND ADD THE PARTS YOU REQUIRE IN ADDITION TO THE ITEMS IN BOLD PRINT, WHICH ARE INCLUDED IN ALL DIPACO PTG GASKET KITS. FAX DIPACO FOR YOUR QUOTATION, 25 KIT MINIMUM.		DPE10020S	DPE10023	DPE10023S	DBM68356	DBM68356K	DBM68356KW	D3010240	DPE10020	DPE10025
D43696A	SIDE PLUG O RING	1	1	1	1	1	1	1	1	1
D70415	O RING	1	1	1	1	1	1	3	1	3
D70705	GOVERNOR HOUSING GASKET	1	1	1	1	1	1	1	1	2
D70732	TACH HOUSING GASKET	1	1	1	1	1	1	1	1	1
D70771	FILTER CAP									1
D70809	TACH SHAFT SEAL	1	1	1	1	1	1	1	1	1
D100099	DAMPER O RING	1	1	1	1	1	1	1	1	1
D100478	THROTTLE SHAFT O RING	1	1	1	1	1	1	1	1	1
D100764	FRONT HOUSING GASKET	1	1	1	1	1	1	1	1	1
D104038	DOUBLE LIP MAIN SHAFT SEAL		2	2			2	2		
D110855	GEAR PUMP BODY TO COVER GASKET	1	1	1	1	1	1	1	1	1
D114791	VITON O RING	1	1	1	1	1	1	1	1	1
D129888	SHUT DOWN VALVE O RING	1	1	1	1	1	1	1	1	1
D139988	DAMPER SEAL RING	1	1	1	1	1	1	1	1	1
D151900	SQUARE CUT O RING	1	1	1	1	1	1	1	1	1
D154087	SHUT DOWN VALVE SQUARE CUT O RING	1	1	1	1	1	1	1	1	2
D154088	FILTER CAP SQUARE CUT O RING	1	1	1	1	1	1	1	1	1
D160514	NYLON SHUT DOWN VALVE GASKET	1	1	1	1	1	1	1	1	1
D163945	SNAP RING	1	1	1	1	1	1	1	1	1
D210218	TACH SHAFT FELT	1	1	1	1	1	1	1	1	1
D3002481	VITON O RING	1	1	1	1	1	1	1	1	1
D3003156	LEAD WIRE SEAL	1	1	1	1	1	1	1	1	1
D3046201	O RING	2	2	2	2	2	2	1	2	2
D3066914	O RING	1	1	1	1	1	1	1	1	1
D3080837	GEAR PUMP MOUNT GASKET	1	1	1	1	1	1	1	1	1
D3069103	PUMP MOUNT GASKET	1	1	1	1	1	1	1	1	1
D3062676	GREEN COATED MAIN SHAFT SEAL	2			2	2			2	2
DS1650	MAIN SHAFT BEARING	1	1	1					1	1
DS2286	NAMEPLATE MOUNTING SCREW	2	2	2		2	2		2	2
D68174	COMPRESSOR KEY	1	1	1					1	1
D70690	GOVERNOR PLUNGER T DRIVER	1		1						
D70723	TACH SHAFT BUSHING	1	1	1					1	1
D70771	SEAL							1		
D70812	VS BRASS BUSHING									2
D70815	SEAL							1		
D100192	MAIN SHAFT	1	1	1					1	1
D102030	O RING							1		
D104087	TACH SHAFT	1	1	1					1	1
D105375	NAME PLATE	1		1		1	1	1	1	1
D106943	SEAL									1
D126333	O RING							1		
D145501	O RING							1		
D145544	O RING									1
D146483	FILTER SCREEN	1	1	1		1	1		1	
D148977	THROTTLE SHAFT COVER	1	1	1		1	1		1	1

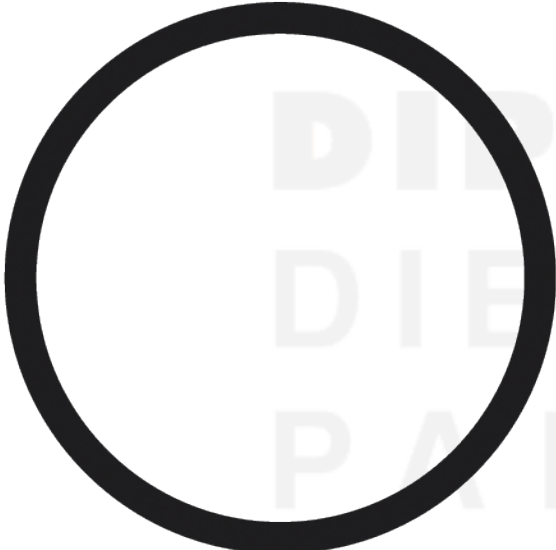
		DPE10020S	DPE10023	DPE10023S	DBM68356	DBM68356K	DBM68356KW	D3010240	DPE10020	DPE10025
D154086	SQUARE CUT O RING									1
D162426	BLACK SPIDER	1	1	1		1	1		1	1
D3046201	O RING							1		
D200998	VS GASKET									1
D213079	O RING									1
D213769	STEEL THROTTLE SHAFT BALL	1		1						
D3010942	VS SHAFT, LONG									1
D3027633	GOVERNOR PLUNGER THRUST WASHER	1		1						
D3030970	FUEL SHUT DOWN VALVE	1	1	1					1	1
D3048557	GOVERNOR PLUNGER SPACER	1		1						1

DIPACO FUEL PUMP OVERHAUL KITS AFC Gasket And Overhaul Kits

IN ADDITION TO DIPACO'S COMPLETE GASKET KIT ASSORTMENT YOU CAN SPECIALIZE YOUR AFC GASKET KIT REQUIREMENTS. USE THE LAST COLUMN MARKED "SPECIAL" AND ADD THE PARTS YOU REQUIRE IN ADDITION TO THE ITEMS IN BOLD PRINT, WHICH ARE INCLUDED IN ALL DIPACO AFC GASKET KITS. FAX DIPACO FOR YOUR QUOTATION, 25 KIT MINIMUM.		D3004122	D3010242	D3010242K	D3010242M	D3010242MK	DPE10030	DPE10030S	DPE10035	DPE10035S
D43696A	O RING	1	1	1	1	1	1	1	1	
D68061A	O RING	2	2	2	2	2	2	2	2	
D70415	VITON O RING	2	2	2	2	2	2	2	2	
D70705	GOVERNOR HOUSING GASKET	1	1	1	1	1	1	1	1	
D100099	DAMPER O RING	1	1	1	1	1	1	1	1	
D100478	THROTTLE SHAFT O RING	1	1	1	1	1	1	1	1	
D100764	FRONT HOUSING GASKET	1	1	1	1	1	1	1	1	
D110855	GEAR PUMP BODY TO COVER GASKET	1	1	1	1	1	1	1	1	
D114791	VITON O RING	1	1	1	1	1	1	1	1	
D129888	SHUT DOWN VALVE O RING	1	1	1	1	1	1	1	1	
D139988	DAMPER O RING	1	1	1	1	1	1	1	1	
D151900	SQUARE CUT O RING	1	1	1	1	1	1	1	1	
D154087	SHUT DOWN VALVE SQUARE CUT O RING	1	1	1	1	1	1	1	1	
D154088	FILTER CAP SQUARE CUT O RING	1	1	1	1	1	1	1	1	
D160514	NYLON SHUT DOWN VALVE GASKET	1	1	1	1	1	1	1	1	
D163945	SNAP RING	1	1	1	1	1	1	1	1	
D3046201	O RING	1	1	1	1	1	1	1	1	
D212603	SEAL	1	1	1	1	1	1	1	1	
D213079	O RING	1	1	1	1	1	1	1	1	
D213768	O RING	1	1	1	1	1	1	1	1	
D3002481	VITON O RING	1	1	1	1	1	1	1	1	
D3003156	LEAD WIRE SEAL	2	2	2	2	2	2	2	2	
D3018682	CAPSCREW	1	1	1	1	1	1	1	1	
D3023870	GASKET	1	1	1	1	1	1	1	1	
D3042542	VITON O RING WITH WHITE STRIPE	1	1	1	1	1	1	1	1	
D3044942	SEAL RING	1	1	1	1	1	1	1	1	
D3045986	VITON O RING WITH GREEN STRIPE	1	1	1	1	1	1	1	1	
D3066914	O RING	2	1	1	1	1	1	1	1	
D3069103	PUMP MOUNT GASKET	1	1	1	1	1	1	1	1	
D3080837	PUMP MOUNT GASKET	1	1	1	1	1	1	1	1	
D104038	DOUBLE LIP MAIN SHAFT SEAL									
D3009625	METAL CASE MAIN SHAFT SEAL				2	2		2	2	
D3062676	GREEN COATED MAIN SHAFT SEAL	2	2	2			2	2		
DS2286	DRIVER SCREW				2	2	2	2	2	
DS16052	MAIN SHAFT BEARING						1	1	1	
D70690	GOVERNOR PLUNGER T DRIVER							1	1	
D70771	FILTER CAP									
D105375	NAME PLATE			1	1	1	1	1	1	
D129839	SHUT DOWN VALVE SHIELD									
D146483	FILTER SCREEN						1	1	1	
D162426	BLACK DRIVE SPIDER			1		1	1	1	1	
D200998	VS GASKET									
D212601	MAIN SHAFT						1	1	1	
D212607	TACH SHAFT						1	1	1	

		D3004122	D3010242	D3010242K	D3010242M	D3010242MK	DPE10030	DPE10030S	DPE10035	DPE10035S
D212609	BUSHING						1	1	1	1
D212668	KEY						1	1	1	1
D213769	STEEL THROTTLE SHAFT BALL			1		1	1	1	1	1
D3000446	PT FUEL PUMP COVER			1		1	1	1	1	1
D3013811S	SILICONE DIAPHRAGM			1		1	1	1		1
D3027633	GOVERNOR PLUNGER THRUST WASHER							1		1
D3030970	FUEL SHUT DOWN VALVE						1	1	1	1
D3040817	VITON O RING			1		1	1	1	1	1
D3048557	SPACER									1
DPE30200	PT FUEL PUMP COVER DECAL						1	1		

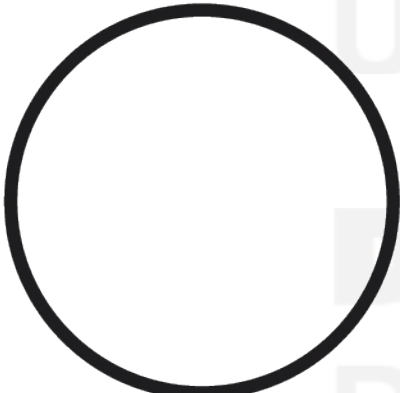
CUMMINS FUEL INJECTION SYSTEMS O-Ring Identification



122981



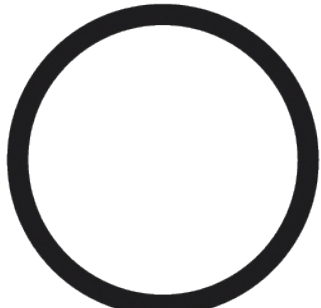
3048182



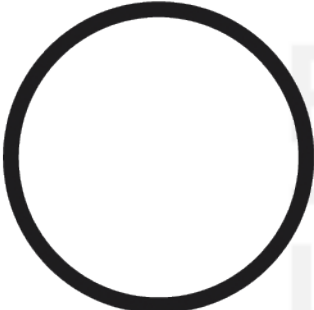
145544



139988 (SQC)



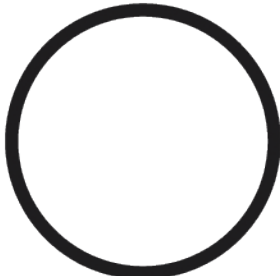
100099 (SQC)



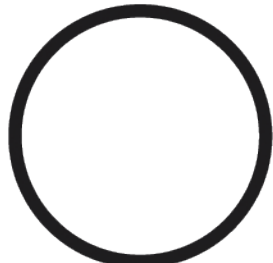
145537



129888



3010510 BROWN



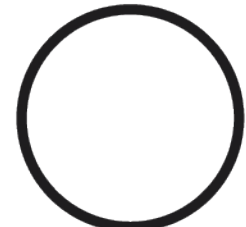
3347937 (V)
3070136 RED



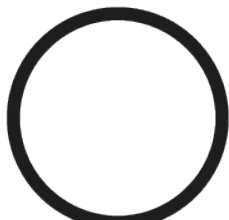
3070137 WHITE



193736 (V)
101754
3070138 BLUE



154088 (SQC)



3034408



43696A
193735 (V)



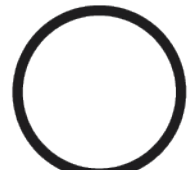
3040817 (V)



213079 (SQC)
3042542 BROWN (V)



3066914 BROWN (V)



3044942



3046201



193734
3045986 BROWN (V)



102827
154087 (SQC)



126333



70861 (V)



102030 (V)
151900 (SQC)
3037537 (V)



70415 (V)



145501



100478
154086 (SQC)
3036666



3034412



68061A (V)
3056415



190876
3002481 (V)



114791



213768 (V)

(V) = Viton
(SQC) = Square Cut O Ring

CUMMINS FUEL INJECTION SYSTEMS

New Cummins Front Cover And Main Shaft Seal

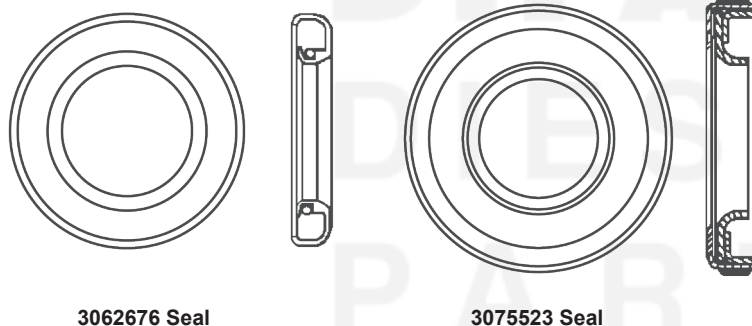
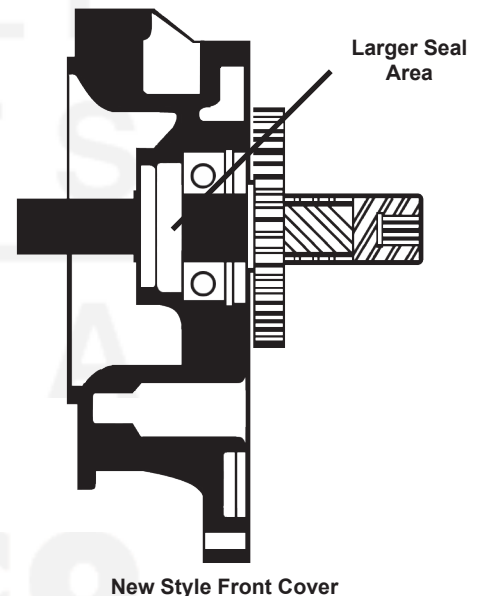
Cummins has introduced fuel pump front covers with a new design along with a design change in the main shaft seal.

There are four new front cover housings covering automotive, VS, Pacer heavy automotive, and heavy VS applications. The difference between the old and new covers is the seal bore, on the fuel side of the cover, has been enlarged and modified to accommodate a larger main shaft seal. The chart on the left shows old and new front cover part numbers. Older style front covers can continue to be used. DIPACO has available both automotive AFC front covers, part numbers **D3063054** and **D3075524**.

TYPE	OLD COVER	NEW COVER
AUTO	3063054	3075524
VS	3063055	3075525
PACER	3064254	3075526
HVY VS	3279048	3803679

The drawing on the right shows a front cover with the enlarged seal area on the fuel side and the normal seal area on the oil side.

The change in the front cover design was driven by the design of the new main shaft seal, part number 3075523. The new seal has a teflon lip and a larger, rubber coated, outside diameter. The teflon lip is used instead of the usual rubber lip to reduce leaks between the seal and the main shaft. It also reduces shaft wear caused by the low lubricity of diesel fuel, as compared to engine lubricating oil. The rubber coating on the outside diameter should reduce leakage between the housing and the seal. DIPACO also has this seal available, part number **D3075523**.



The **D3075523** seal replaces the **D3062676** seal **ONLY** on the fuel side of the main shaft. The **D3062676** seal **WILL** continue to be used on the oil side of the main shaft.

The new front cover and seal can be used on any AFC fuel pump, not just as a direct replacement. The new cover design should eliminate the problem of seals walking out of the cover due to air compressor problems and other factors.

There are special tools to use and instructions to follow when installing and removing the seal. Failure to follow the instructions will result in seal failure and potential damage to the front cover. The procedure for installing the seal is on the following page. Cummins Service Topic 92T5-26 includes the complete procedure for rebuilding the front cover assembly.

D3075523 MAIN SHAFT SEAL INSTALLATION INSTRUCTIONS

Very Important: Do Not Remove the support tube from the seal until you are ready to insert the drive shaft assembly. (Figure 1)

If a chamfer is not present on the entry of the seal bore in the housing, use sandpaper to create a small chamfer. Afterward, clean the housing.

Place the front cover in an oven at 275 degrees Fahrenheit (135 degrees Celsius) for 30 minutes.

Lubricate the rubber outside diameter of the seal with a thin film of calibration fluid. Do not allow any fluid to get on the Teflon lip of the seal. **(Figure 1)**

Without removing the support tube from the seal, use the 3824225 seal driver to *slowly* press the seal into the bore. The lip of the seal must be facing toward the driver. If the seal is pressed in too quickly the rubber OD may tear. **(Figure 2)**

When ready to insert the drive shaft assembly, remove the cardboard tube from the seal. Do not leave the seal lip unsupported for more than five minutes as permanent damage can result. Using the plastic seal installation sleeve that comes with the seal, carefully install the drive shaft assembly. Maintain proper alignment during the shaft installation to prevent damage to the Teflon lip. **(Figure 3)**

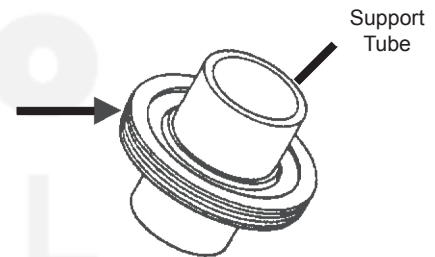


Figure 1

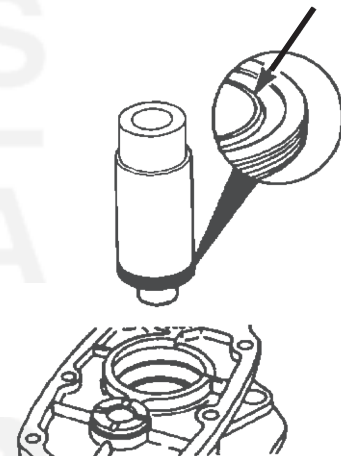


Figure 2

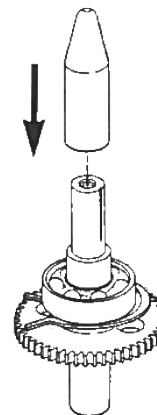


Figure 3

DIPACO

An Employee Owned Company

12693 Old Virginia Rd, Reno, NV 89521 USA
Telephone: 775.329.7511 ■ Fax: 775.329.9740
www.dipacotech.com