

DIPACO

***FORD POWER STROKE
AND NAVISTAR / HEUI / CATERPILLAR INJECTORS
PARTS CATALOG***

Updated April 2010

An Employee Owned Company

ADDRESS

DIPACO, Inc.

105 East Parr Boulevard

Reno, Nevada 89512 USA

Phone: (775) 329-7511

Fax: (775) 329-9740

Toll Free Phone: (800) 648-4720

Toll Free Fax: (888) 320-7761

E-Mail: sales@dipaco.com

Internet: www.dipaco.com | www.dtechproducts.com

WHAT WE OFFER

- Providing quality fuel injection parts since 1948
- Comprehensive warranty
- Competitive pricing
- Excellence in customer service
- Company representation before and after sales
- Multi-skilled staff
- Extended trading hours
- Toll free phone and fax ordering
- Full technical support
- Quality commitment
- Superior quality inventory
- Same day shipping

INFORMATION

Copyright

DIPACO, Inc. 2010. No part of this publication may be reproduced in any form by any means without written permission.

This catalog is in digital format to allow for continuous updating as we add additional parts. For current part availability, please consult our current price list or contact **DIPACO** or your **DIPACO** distributor.

This catalog is for reference purposes only. **DIPACO** assumes no responsibility or liability for any errors or inaccuracies that may appear in this publication. All mention of OEM names and part numbers are for reference only.

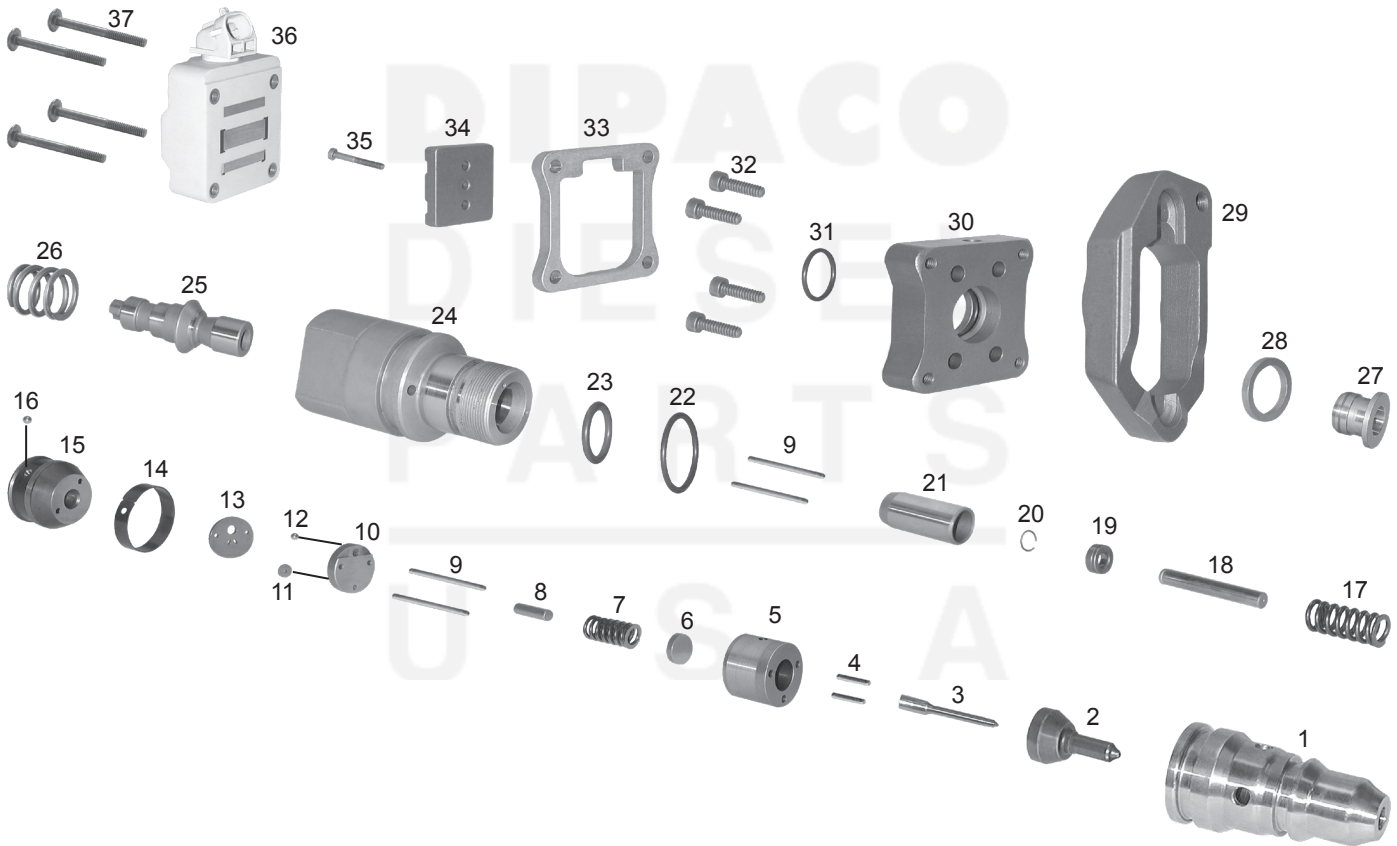
SUBJECT	PAGE
Exploded Injector.....	4
Kits And Parts.....	5
Application Guide - Power Stroke/T444E.....	6
Application Guide - DT466E/I530E	7
Caterpillar 3126 Plunger and Barrel Assemblies / Nozzles	8
Application Guide - Complete Injectors	9
Injector Drive Modules.....	10
Tooling	11

DIPACO
DIESEL
PARTS
U S A
DIPACO
DIESEL
PARTS
U S A

POWER STROKE / HEUI INJECTORS

Exploded Injector

DIPACO



REF	PART	DESCRIPTION	QTY
1	-	NOZZLE NUT	1
-	SEE GUIDE	NOZZLE ASSEMBLY	1
2	-	TIP	1
3	-	NEEDLE	1
4	DPS0013	DOWEL	2
5	-	SPACER SLEEVE	1
6	-	VOP SHIM	1
7	DPS0023	SPRING POWER STROKE/T444E	1
7	DPS0024	SPRING DT466E & I530E	1
8	-	LIFT PIN	1
9	DPS0009	DOWEL	4
-	DPS0029	CHECK VALVE ASSEMBLY	1
10	-	STOP	1
11	-	CHECK PLATE	1
12	DPS0014	CHECK BALL	1
13	-	STOP PLATE	1
-	SEE GUIDE	PLUNGER & BARREL ASSEMBLY	1
14	-	RETAINING SPRING	1
15	-	BARREL	1
16	DPS0014	CHECK BALL	1
17	-	SPRING	1
18	-	PLUNGER	1
19	-	RETAINING WASHER	1
20	-	RETAINING RING	1

REF	PART	DESCRIPTION	QTY
21	SEE GUIDE	INTENSIFIER PISTON	1
22	DPE7736	BODY O-RING	1
23	DPE7738	INTENSIFIER PISTON O-RING	1
31	DPE7407	POPPET VALVE ADPTR O-RING	1
22	DPE7736	BODY O-RING	1
23	DPE6672	INTENSIFIER PISTON O-RING	1
23	DPE7730	INTENSIFIER PISTON O-RING	1
31	DPE7407	POPPET VALVE ADPTR O-RING	1
24	-	PISTON & VALVE BODY	1
25	-	POPPET VALVE	1
26	-	POPPET SPRING	1
27	-	SLEEVE	1
28	-	POPPET SHIM	1
29	-	CLAMP	1
30	-	ADAPTER	1
32	DPS0011	ADAPTER SCREW (6MM P&B)	4
32	DPS0038	ADAPTER SCREW (7.1MM P&B)	4
33	-	SOLENOID SPACER	1
34	-	ARMATURE	1
35	DPS0010	ARMATURE SCREW	1
36	DPS0037	SOLENOID	1
37	DPS0012	SOLENOID SCREW	4

REF	PART	DESCRIPTION	QTY	REF	PART	DESCRIPTION	QTY
		KITS				KITS	
	DPS0007	INTERNAL O-RING KIT FOR POWER STROKE / T444E			DPS0042	7.3L VALVE COVER GASKET KIT (1994 - 1997)	
-	DPE7407	O-RING	1	-	F4TZ-6584-A	VALVE COVER GASKET	1
-	DPE7736	O-RING (DARK BLUE)	1	-	F4TZ-9D930-K	UNDER VALVE COVER WIRING HARNESS	2
-	DPE7738	O-RING (BLUE)	1	-	DPS0040	ENGINE-TO-VALVE COVER WIRING SET	2
	DPS0008	EXTERNAL SEAL KIT FOR POWER STROKE AND NAVISTAR HEUI 7.3L INJECTORS			DPS0041	7.3L VALVE COVER GASKET KIT (1998 - 2003)	
-	DPS0001	NOZZLE GASKET	1	-	F81Z-6584-AA	VALVE COVER GASKET	1
-	DPS0002	BACK-UP RING	1	-	F81Z-9D930-AB	UNDER VALVE COVER WIRING HARNESS	1
-	D150-4105	SEAL RING	1	-	DPS0039	ENGINE-TO-VALVE COVER WIRING SET	1
-	DPS0005	LOWER INJECTOR O-RING (ORANGE)	1			GLOW PLUGS	
-	DPS0006	O-RING (DARK BLUE)	1	-	G084	FORD 7.3L / NAVISTAR	1
-	DPS0015	EXTERNAL O-RING (PINK)	1	-	G088	FORD 6.9L / NAVISTAR	1
	DPS0025	EXTERNAL SEAL KIT FOR CATERPILAR 3126 / 3126B HEUI INJECTORS		-	G138	FORD 7.3L POWER STROKE / NAVISTAR HEUI	1
-	D1333715	BACK-UP RING	1	-	G540	FORD 6.0L POWER STROKE / NAVISTAR HEUI VT365 (UP TO ENGINE SERIAL NUMBER 6155636)	1
-	D109-3207	SEAL RING (DARK BLUE)	1	-	G541	FORD 6.0L POWER STROKE / NAVISTAR HEUI VT365 (STARTING WITH ENGINE SERIAL NUMBER 6155637 AND UP)	1
-	D148-2903	O-RING (DARK BLUE)	1			CONTROLLERS	
-	D149-5240	BACK-UP RING	1	-	G001	FORD 7.3L IDI (COVERS MODEL YEARS 1988 - 1994)	1
-	D150-4105	BACK-UP RING	1	-	G004	FORD 7.3L POWER STROKE RELAY (COVERS MODEL YEARS 1992 - 1993)	1
-	D237-3800	INJECTOR O-RING (RED)	1				
	DPS0028	EXTERNAL SEAL KIT FOR TEST STAND USE					
-	DPS0026	O-RING	1				
-	DPS0027	SEAL RING	2				
	DPS0530	INTERNAL O-RING KIT FOR DT466E / 1530E					
-	DPE6672	O-RING (GREEN)	1				
-	DPE7407	O-RING	1				
-	DPE7730	O-RING (RED)	1				
-	DPE7736	O-RING (DARK BLUE)	1				
	DF6TZ-9C977-AN	INJECTION PRESSURE REGULATOR REPAIR KIT					
-	DPS0016	O-RING	1				
-	DPS0017	O-RING	1				
-	DPS0019	SEAL RING	1				
-	DPS0020	LOCK NUT	1				
	DT60101	6.0L INJECTOR SEAL KIT					
-	DT470021	COPPER GASKET	1				
-	DT470052	OIL INLET O-RING	1				
-	DT470057	INTERNAL ELECTRICAL CONNECTOR O-RING (RED)	1				
-	DT470058	EXTERNAL ELECTRICAL CONNECTOR O-RING (BLUE)	1				
-	DT470061	LOWER EXTERNAL O-RING (WHITE)	1				
-	DT470062	UPPER EXTERNAL O-RING	1				

POWER STROKE / HEUI INJECTORS



Application Guide - 7.3L Power Stroke/T444E

NOTES FOR APPLICATION GUIDES

Body Code: Marked on injector solenoid. 'A' code = 7.3L Ford Power Stroke and Navistar T444E. 'B' code=Navistar DT466E and I530E.

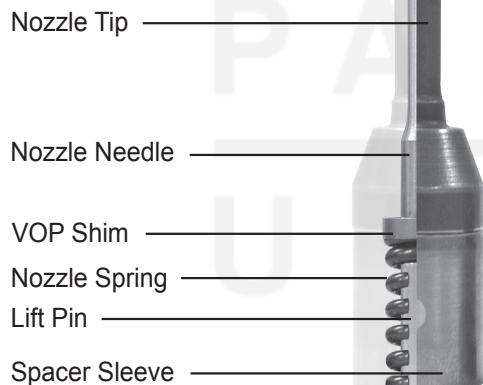
P&B Group: Shows DIPACO part number for a standard or PRIME (Pre-injection Metering) design.

Nozzle Assembly: Shows DIPACO part number, the number of spray holes and recommended valve opening pressure.

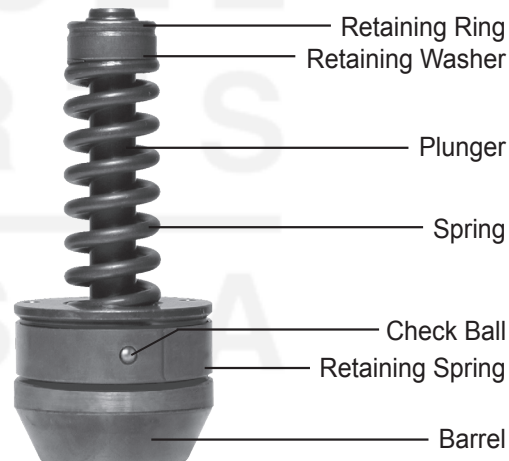
BODY CODE	MODEL YEAR	P&B GROUP TYPE PLUNGER OD	NOZZLE ASSY ORIFICES VOP (PSI)	SEAL KITS INTERNAL EXTERNAL	INTENSIFIER PISTON OD LENGTH	FORD INJECTOR	NAVISTAR NEW & RENEWED INJECTOR	
AA		DPE06000/31 Standard 6.0mm	DPE41007/31 7 Holes 2675±125	DPS0007 DPS0008	DPS13051/31 16mm 32.2mm	F81Z9E527DRM F4TZ9VE527AARM F7TZ9E527ARM	1822800C95 1816187C3	
Notes:	94-96 94-98	T444E Up to Engine serial number 460194, F-Series (CA) and E-Series (All). F-Series (49 States).						1822801C98 & C99 1821836C3
AB		DPE06060/31 Prime 6.0mm	DPE41007/31 7 Holes 2675±125	DPS0007 DPS0008	DPS13050/31 16mm 29.7mm	F81Z9E527BRM	1824582C94 1822803C1	
Notes:	97-99 99	T444E Engine serial number 460195-843889, F-Series* (CA). F-Series* (49 States). * Engines built prior to Dec. 7, 1998.						1824583C97 1825125C1
AC		DPE06001/31 Standard 6.0mm	DPE41007/31 7 Holes 2675±125	DPS0007 DPS0008	DPS13052/31 16mm 29.7mm		1824455C94 1822890C1	
Notes:	94-96	T444E (High Output), 210HP (High Torque) and 230HP.						1824456C96 1824472C1
AD		DPE06061/31 Prime 6.0mm	DPE41007/31 7 Holes 2675±125	DPS0007 DPS0008	DPS13056/31 16mm 29.1mm	F81Z9E527CRM	1831551C1 1831550C1	
Notes:	99-02 99-03	F-Series and E-Series (All) Engine built after Dec. 7, 1998. T444E Engine serial number 843990-up. One AE beginning 2002.						1831487C92 & C93 1831489C1
AE		DPE06061/31 Prime 6.0mm	DPE41007/31 7 Holes 2675±125	DPS0007 DPS0008	DPS13053/31 16mm 29.1mm	F81Z9E527EARM XC3Z9E527AARM	1833639C1	
Notes:	99-02 02-03	F-Series* serial number 661496-896812. E-Series* serial number 661974-896812. T444E* Engine. *Number 8 Cylinder long lead injector. (All Years)						
AF		DPE06060/31 Prime 6.0mm	DPE41007/31 7 Holes 2675±125	DPS0007 DPS0008	DPS13058/31 16mm 29.7mm		1833647C1 1833643C1 1833641C1	
Notes:	97-98	Number 8 Cylinder long lead injector. T444E Engine serial number 460195-843989.						

TYPICAL NOZZLE GROUP

Left side of nozzle cut-a-way to view internal components.



TYPICAL PLUNGER AND BARREL ASSEMBLY



BODY CODE	MODEL YEAR	P&B GROUP TYPE PLUNGER OD	NOZZLE ASSY ORIFICES VOP (PSI)	SEAL KITS INTERNAL EXTERNAL	INTENSIFIER PISTON OD LENGTH	FORD INJECTOR	NAVISTAR NEW & RENEWED INJECTOR
BA		DPE06001/31 Standard 6.0mm	DPE41025/31 5 Holes 3700±125	DPS0007 DPS0008	DPS13052/31 16mm 29.7mm		1823736C94 1819834C1
Notes:	95-97	DT466E, 230HP (High Torque) and 250 HP up to serial number 1084867.					1824928C94 1824917C2
BB		DPE06001/31 Standard 6.0mm	DPE41015/31 5 Holes 3700±125	DPS0007 DPS0008	DPS13052/31 16mm 29.7mm		1824742C91 1824739C1
Notes:	95-97	DT466E, 175 HP and 190HP up to serial number 1028710.					1824929C94 1824918C2
BC		DPE06001/31 Standard 6.0mm	DPE41005/31 5 Holes 3700±125	DPS0007 DPS0008	DPS13052/31 16mm 29.7mm		1824743C91 1824740C1
Notes:	95-97	DT466E, 175HP and 190HP up to serial number 1028710.					1824930C94 1824919C2
BD		DPE07100/31 Standard 7.1mm	DPE41035/31 5 Holes 3700±125	DPS0530 DPS0008	DPS13055/31 17.5mm 29.3mm		1824744C94 1824741C2
Notes:	95-97	I530E, 250HP, 275HP and 300HP up to serial number 1084028.					1824931C94 1824920C2
BE		DPE06060/31 Prime 6.0mm	DPE41005/31 5 Holes 3700±125	DPS0007 DPS0008	DPS13057/31 16mm 29.1mm		1829838C94 1829926C2
Notes:	97-99	DT466E, 175HP to 210HP serial number 1028711-1194038.					1829839C93 & C94 1829837C2
BF		DPE07160/31 Prime 7.1mm	DPE41045/31 5 Holes 3700±125	DPS0530 DPS0008	DPS13054/31 17.5mm 26.7mm		1830145C92 1830147C2
Notes:	98-99	I530E, 250HP to 320HP serial number 1084029-1134350.					1830146C92 & C93 1830148C2
BG		DPE07160/31 Prime 7.1mm	DPE41006/31 6 Holes 3700±125	DPS0530 DPS0008	DPS13054/31 17.5mm 26.7mm		1830155C91 1830157C1
Notes:	97-99	Discontinued. Replaced by body code BJ.					1830156C91 1830573C2
BI		DPE07160/31 Prime 7.1mm	DPE41016/31 6 Holes 3700±125	DPS0530 DPS0008	DPS13054/31 17.5mm 26.7mm		1830740C92 1830560C2 1830561C92
Notes:	99-UP	DT466E, 250HP serial number 1125228-Up.					1830741C92 & C93 1830562C2
BJ		DPE07160/31 Prime 7.1mm	DPE41006/31 6 Holes 3700±125	DPS0530 DPS0008	DPS13054/31 17.5mm 26.7mm		1830570C92 1830571C2
Notes:	99	I530E, 250HP to 320HP serial number 1134351-1194038.					1830572C92 & C93 1830573C2
BN		DPE07160/31 Prime 7.1mm	DPE41026/31 6 Holes 3700±125	DPS0530 DPS0008	DPS13054/31 17.5mm 26.7mm		1830693C1 1830694C91
Notes:	00-UP	I530E serial number 1194039-Up.					1830692C91 1830691C1
BP		DPE07160/31 Prime 7.1mm	DPE41036/31 6 Holes 3700±125	DPS0530 DPS0008	DPS13054/31 17.5mm 26.7mm		1836252C91 1836253C1
Notes:	00-UP	DT466E Transit.					1836251C91 1836250C1

POWER STROKE / HEUI INJECTORS



Caterpillar 3126 Plunger And Barrel Assemblies / Nozzles

Caterpillar Information					DIPACO Information		
New Injector	Reman Injector	Engine	Application	Serial Number	P & B	Plunger OD	Nozzle Group
131-7150	0R9349	3126B	Truck	7AS, 8SZ, 8YL	DPE07161/31	7.1mm	DPE41016/32
141-7837	0R9350	3126B	Truck	7AS & 8YL	DPE07161/31	7.1mm	DPE41026/32
155-1819	0R9348	3126B	Truck	7AS	DPE06063/31	6.0mm	DPE41006/32
169-7408	0R9348	3126B	Truck	7AS	DPE06063/31	6.0mm	DPE41006/32
171-9704	0R9348	3126B	Truck	7AS	DPE06063/31	6.0mm	DPE41006/32
171-9710	0R9348	3126B	Truck	7AS	DPE06063/31	6.0mm	DPE41006/32
173-4059	0R9349	3126B	Truck	7AS, 8SZ, 8YL	DPE07161/31	7.1mm	DPE41016/32
173-4061	0R9349	3126B	Truck	7AS, 8SZ, 8YL	DPE07161/31	7.1mm	DPE41016/32
173-9267	0R9349	3126B	Truck	7AS, 8SZ, 8YL	DPE07161/31	7.1mm	DPE41016/32
173-9268	0R9349	3126B	Truck	7AS, 8SZ, 8YL	DPE07161/31	7.1mm	DPE41016/32
173-9272	0R9350	3126B	Truck	7AS & 8YL	DPE07161/31	7.1mm	DPE41026/32
173-9379	0R9348	3126B	Truck	7AS & 8YL	DPE06063/31	6.0mm	DPE41006/32
173-9380	0R9348	3126B	Truck	7AS	DPE06063/31	6.0mm	DPE41006/32
177-4754	10R0782	3126B/E	Truck-Industrial & Marine	BDZ, BEJ, CKM, CRP, DCD, HEP, Z2A, 5GG	DPE07161/31	7.1mm	DPE41046/32
188-1320	0R9348	3126B	Truck	7AS	DPE06063/31	6.0mm	DPE41006/32
196-1401	0R9349	3126B	Truck	7AS, 8SZ, 8YL	DPE07161/31	7.1mm	DPE41016/32
196-4229	0R9350	3126B	Truck	7AS & 8YL	DPE07161/31	7.1mm	DPE41026/32
197-7107	10R0781	3126B/E	Truck & Marine	CKM, CRP, HEP	DPE07161/31	7.1mm	DPE41036/32
198-6605	10R0781	3126B/E	Truck & Marine	CKM, CRP, HEP	DPE07161/31	7.1mm	DPE41036/32
204-6714	10R1262	3126E	Truck	CKM & HEP	DPE06063/31	6.0mm	DPE41046/32
222-5963	10R1262	3126E	Truck	CKM & HEP	DPE06063/31	6.0mm	DPE41046/32
222-5966	10R0781	3126B/E & C7	Truck & Marine	3GS, 9SZ, CKM, CRP, HEP, LEF	DPE07161/31	7.1mm	DPE41036/32
222-5967	0R9349	3126B	Truck	7AS, 8SZ, 8YL	DPE07161/31	7.1mm	DPE41016/32
222-5972	0R9350	3126B	Truck	7AS & 8YL	DPE07161/31	7.1mm	DPE41026/32

DIPACO
DIESEL
PARTS
U S A

Ford 6.0L Power Stroke Injector Applications

Model Year	Application	Ford Part Number	DTech Part Number
2003-2004 ⁽¹⁾	F-250 - F-750, Excursion	3C3Z-9E527-EBRM 3C3Z-9E527-EARM 3C3Z-9E527-AE 3C3Z-9E527-ABRM	DT3C3Z-9E527-AE ⁽³⁾
2004-2007 ⁽²⁾	F-250 - F-550, Excursion	4C3Z-9E527-AA	DT4C3Z-9E527-AA ⁽³⁾
2005-2007	F-650 - F750	4C3Z-9E527-BRM	
2004-2008	E Series Vans		

(1) Engines built prior to 9/22/2003.

F-250 - F-550 and Excursion Engine SN 0 up to 137745 Huntsville, AL

F-250 - F-550 and Excursion Engine SN 6000000 up to 6155636 Huntsville, AL

F-650-F750 Engine SN 0 up to 112360 Huntsville, AL

(2) Engines built on/after 9/22/2003

(3) The late injector, DT4C3Z-9E527-AA, can be used in earlier 2003-2004 year applications which use the DT3C3Z-9E527-AE injectors. The difference between the injectors is in the metallurgy of some internal components.

DTech does not recommend using the early injector in later model year applications. The injectors can be easily identified by the color of the wiring connector at the top of the injector. The DT3C3Z-9E527-AE injector has a white wiring connector and the DT4C3Z-9E527-AA injector has a black connector.

Ford 6.0L Power Stroke High-Performance Injector Applications

Model Year	Application	Ford Part Number	DTech Part Number
2003-2007	F-250 - F-750, Excursion	3C3Z-9E527-EBRM	DT60000-70 ⁽⁴⁾
2004-2008	E Series Vans	3C3Z-9E527-EARM 3C3Z-9E527-AE 3C3Z-9E527-ABRM 4C3Z-9E527-AA 4C3Z-9E527-BRM	

(4) Installing a set of the DT60000-70 injectors will increase engine horsepower by about 70HP. Injectors are for off-road use only where approved.

Ford 7.3L Power Stroke Injector Applications

Model Year	Application	Ford Part Number	DTech Part Number
1994-1998	F-Series (49 States)	F81Z-9E527-DRM	DT73AA
1994-1996	F-Series (California)	F4TZ-9VE527-AARM	
1994-1996	All E-Series	F7TZ-9E527-ARM	
1999	F-Series (49 States) ⁽¹⁾	F81Z-9E527-BRM	DT73AB
1997-1999	F-Series (California) ⁽¹⁾	F7TZ-9E527-BRM	
1997-1998	E-Series	F61Z-VE527-BRM	
1999-2003	All F-Series and E-Series ⁽²⁾	F81Z-9E527-CRM 5C3Z-9VE527-BRM	DT73AD
1999-2003	F-Series (SN 661496 - 896812) E-Series (SN 661974 - 896812) #8 Cylinder Long Lead Injector	F81Z-9E527-EARM XC3Z-9E527-AARM F61Z-9VE527-ERM 5C3Z-9VE527-ARM	DT73AE

(1) Built before 12/07/1998.

(2) Built after 12/07/1998.

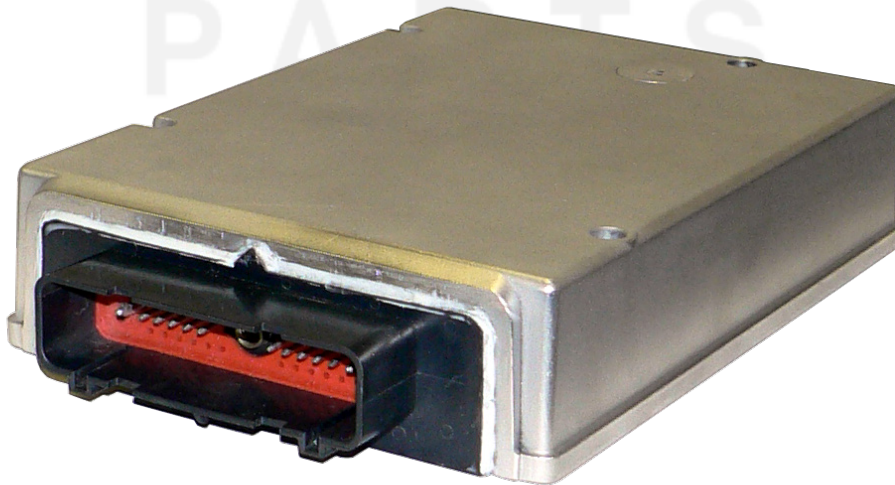
POWER STROKE / HEUI INJECTORS

Injector Drive Modules

DIPACO

Ford 7.3L Power Stroke Injector Drive Module (IDM) Applications

Model Year	Application	Ford Part Number	DTech Part Number
1994-1998	All F-Series and E-Series	F5TF-12B599-Series F6TF-12B599-Series F7TF-12B599-Series	DTPS110
1999-2003	All F-Series and E-Series	XC3F-12B599-Series	DTPS120



DIPACO
DIESEL
PARTS
DIPACO
DIESEL
PARTS
U S A



DPE30300 - Center Seal Ring Installation Tool
Tool for installing the external center seal ring on the injector. See DIPACO Product Information Bulletin FI-84 for more information.



DPE30301 - Internal O-Ring Installation Tool
Tool for installing internal injector o-rings. See DIPACO Product Information Bulletin FI-91 for more information.



DPE30302 - Injector Tool Kit
Tool kit for disassembling and assembly injectors. Also includes an adapter for pop testing nozzles.

DIPACO

An Employee Owned Company

105 East Parr Boulevard, Reno, NV 89512 USA
Telephone: (775) 329-7511 ■ Fax: (775) 329-9740
www.dipaco.com ■ www.dtechproducts.com