

DIPACO

***CATERPILLAR NEW SCROLL
3304B / 3306B + 3306B / 3406C
PARTS CATALOG***

Updated April 2010

An Employee Owned Company

ADDRESS

DIPACO, Inc.

12693 Old Virginia Rd.

Reno, Nevada 89521 USA

Phone: 775.329.7511

Fax: 775.329.9740

Toll Free Phone: 800.648.4720

Toll Free Fax: 888.320.7761

E-Mail: sales@dipaco.com

Internet: www.dipacodtech.com

WHAT WE OFFER

- Providing quality fuel injection parts since 1948
- Comprehensive warranty
- Competitive pricing
- Excellence in customer service
- Company representation before and after sales
- Multi-skilled staff
- Extended trading hours
- Toll free phone and fax ordering
- Full technical support
- Quality commitment
- Superior quality inventory
- Same day shipping

INFORMATION

Copyright

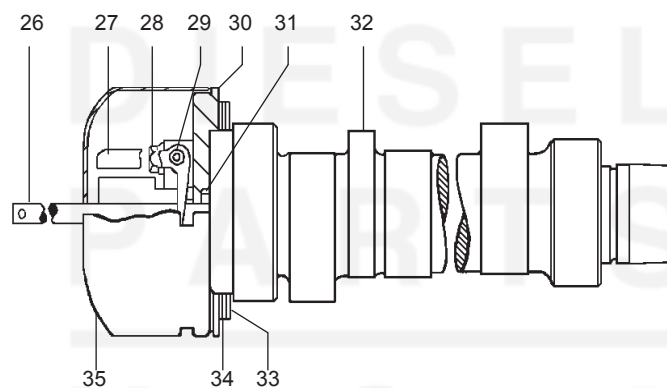
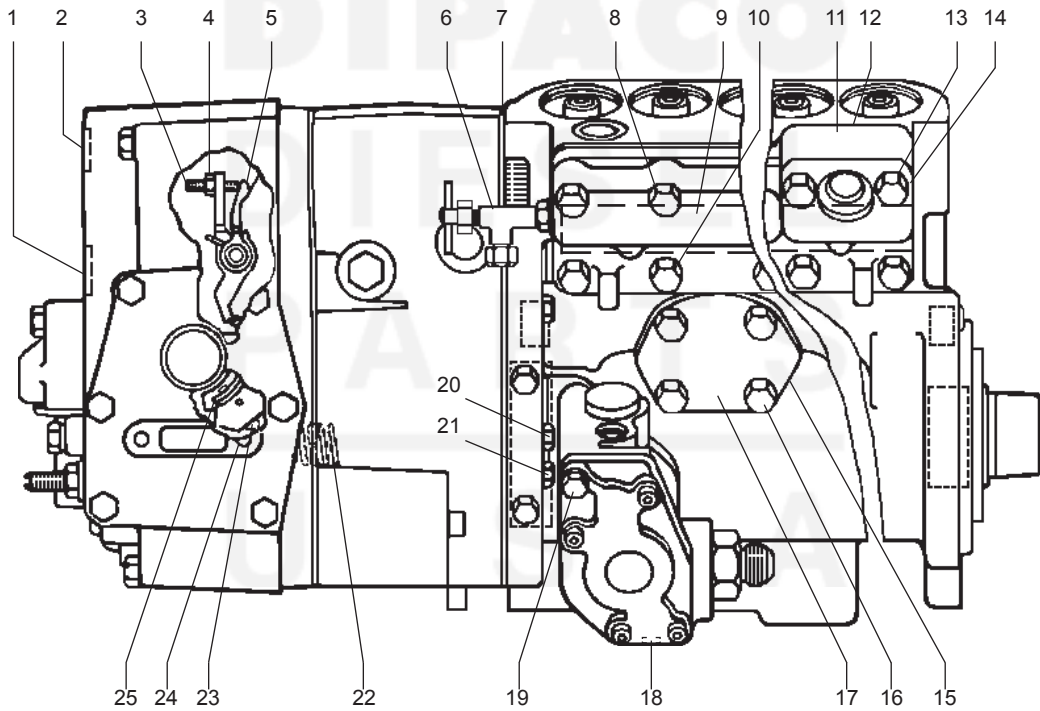
DIPACO, Inc. 2010. No part of this publication may be reproduced in any form by any means without written permission.

This catalog is in loose leaf form to allow for continuous updating as we add additional parts. For current part availability, please consult our current price list or contact **DIPACO** or your **DIPACO** distributor.

This catalog is for reference purposes only. **DIPACO** assumes no responsibility or liability for any errors or inaccuracies that may appear in this publication. All mention of OEM names and part numbers are for reference only.

SUBJECT	PAGE
3304B/3306B Fuel Pump	Section 1
Camshaft	1-1
Plunger And Barrel	1-3
Governor	1-5
 3406B/3406C Fuel Pump	 Section 2
Camshaft	2-1
Plunger And Barrel	2-3
Automatic Timing Advance Unit.....	2-5
Mechanical Governor	2-7
Electronic Governor.....	2-11
 Air Fuel Ratio	 Section 3
All Pumps	3-1
 Fuel Transfer Pump	 Section 4
All Pumps	4-1
 Primer Pump - Tach Drive Adapter - Solenoid	 Section 5
All Pumps	5-1
 Gasket Kits	 Section 6
All Pumps	6-1
 7000 Series Injectors	 Section 7
All Pumps	7-1

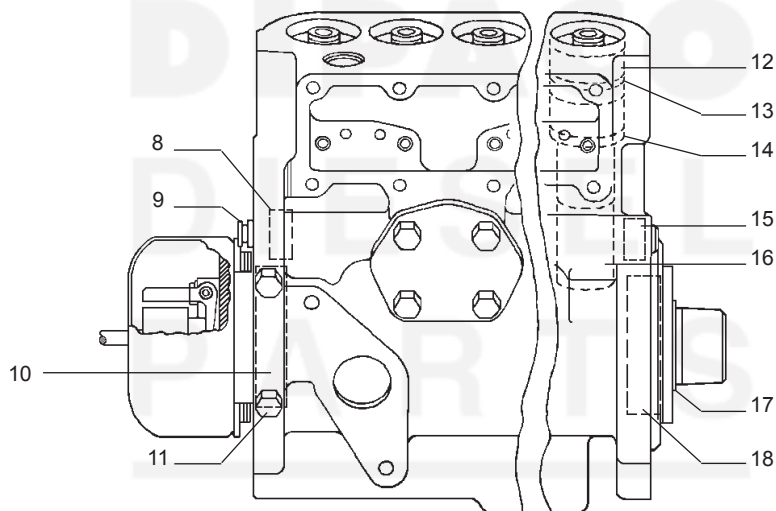
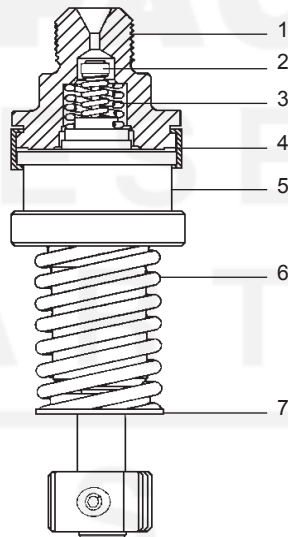
3304B/3306B NEW SCROLL FUEL PUMP
Pump Body - Camshaft



3304B/3306B NEW SCROLL FUEL PUMP
Pump Body - Camshaft

REF	PART	DESCRIPTION	QTY
1	6M5062	SEAL	1
2	2D6392	SEAL	1
3	7N5334	SCREW	1
4	4B2049	NUT	1
5	4W5735	LEVER	1
5	8N3168	THROTTLE LEVER	1
6	6N1716	VALVE ASSEMBLY	1
7	7N8768	GASKET	1
8	8B2377	BOLT	4
9	8N5783	DEFLECTOR - 3304B	1
9	8N5784	DEFLECTOR - 3306B	1
10	4F7957	BOLT - 3304B	4
10	4F7957	BOLT - 3306B	6
11	7N9521	COVER - 3304B	1
11	7N9907	COVER - 3306B	1
12	7N3104	GASKET - 3304B	1
12	7N9554	GASKET - 3306B	1
13	1B2713	BOLT	2
14	4B4276	WASHER	2
15	7N1046	GASKET	1
16	0S1615	BOLT	1
17	7N1047	COVER	1
18	0S1615	BOLT	1
19	8F6302	BOLT	1
20	6B4198	BOLT	2
21	0S1616	BOLT	1
22	2N2878	SPRING	1
23	7N2176	PIN (DETENT)	1
24	7N1052	DOWEL	1
25	8N3096	SPRING (DETENT)	1
26	8N2510	SHAFT	1
27	119-8699	WEIGHT	4
28	5P9087	BOLT	4
29	1S5440	DOWEL	4
30	8N2511	CARRIER	1
31	4N9019	DOWEL	1
32	2W6175	CAMSHAFT - 3304B	1
32	1W2555	CAMSHAFT - 3306B	1
33	7N7166	RACE	1
34	7L3326	BEARING	1
35	7N7265	SHIELD	1

3304B/3306B NEW SCROLL FUEL PUMP Plunger And Barrel



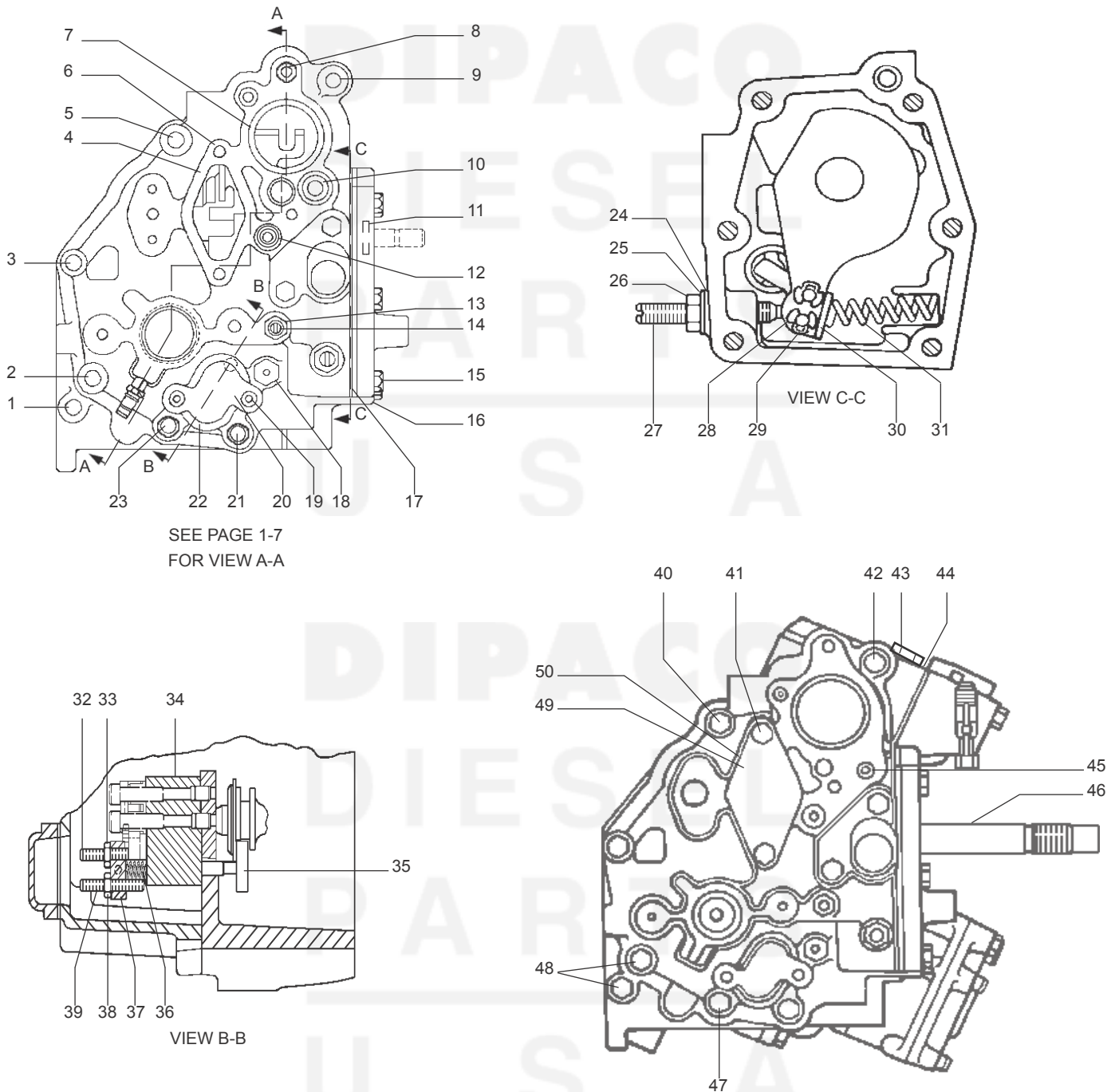
3304B/3306B NEW SCROLL FUEL PUMP
Plunger And Barrel

REF	PART	DESCRIPTION	QTY
1	8N2516	BONNET	4/6
1	1W9171	BONNET	4/6
1	6I1327	BONNET	4/6
2	8N1414	CHECK VALVE	4/6
2	1W6987	CHECK VALVE	4/6
3	8N1415	SPRING	4/6
4	7W1927	RING	4/6
5	1W6541	PLUNGER & BARREL - 9MM	4/6
5	7W5929	PLUNGER & BARREL - 10MM	4/6
5	4P9830	PLUNGER & BARREL - 10.5MM	4/6
6	7N1067	PLUNGER SPRING	4/6
7	7W2808	SPRING RETAINER	4/6
7	7N1415	WASHER	4/6
7	7N1066	SPRING RETAINER	4/6
8	1S1953	BEARING	1
9	1W3285	RACK - 3304	1
9	1W3286	RACK - 3306	1
10	8N2518	BEARING	1
10	4P9828	BUSHING	1
11	9S4180	PLUG	2
12	8N5117	BUSHING	4/6
13	114-8718	O-RING	4/6
14	4W6869	SPACER	4/6
15	1W3285	BEARING	1
16	4P9832	LIFTER ASSEMBLY	4/6
17	7N8421	RING	1
18	7N7970	BEARING	1

P & B Assembly Parts List

P & B Group	P & B	Plunger			Check Valve		Note
		OD	Bonnet	Check Valve	Spring		
4P9827	D4P9830	10.5 mm	D6I1327	D1W6987	D8N1415	The bonnet requires a 7C9966 spherical incert	
D1W6539-1	D1W6541	9.0 mm	D8N2516	D8N1414	D8N1415	Replaced by D1W6539-2. Must be updated in complete sets.	
D1W6539-2	D1W6541	9.0 mm	D1W9171	D1W6987	D8N1415		
D7W5928	D7W5929	10.0 mm	D1W9171	D1W6987	D8N1415		

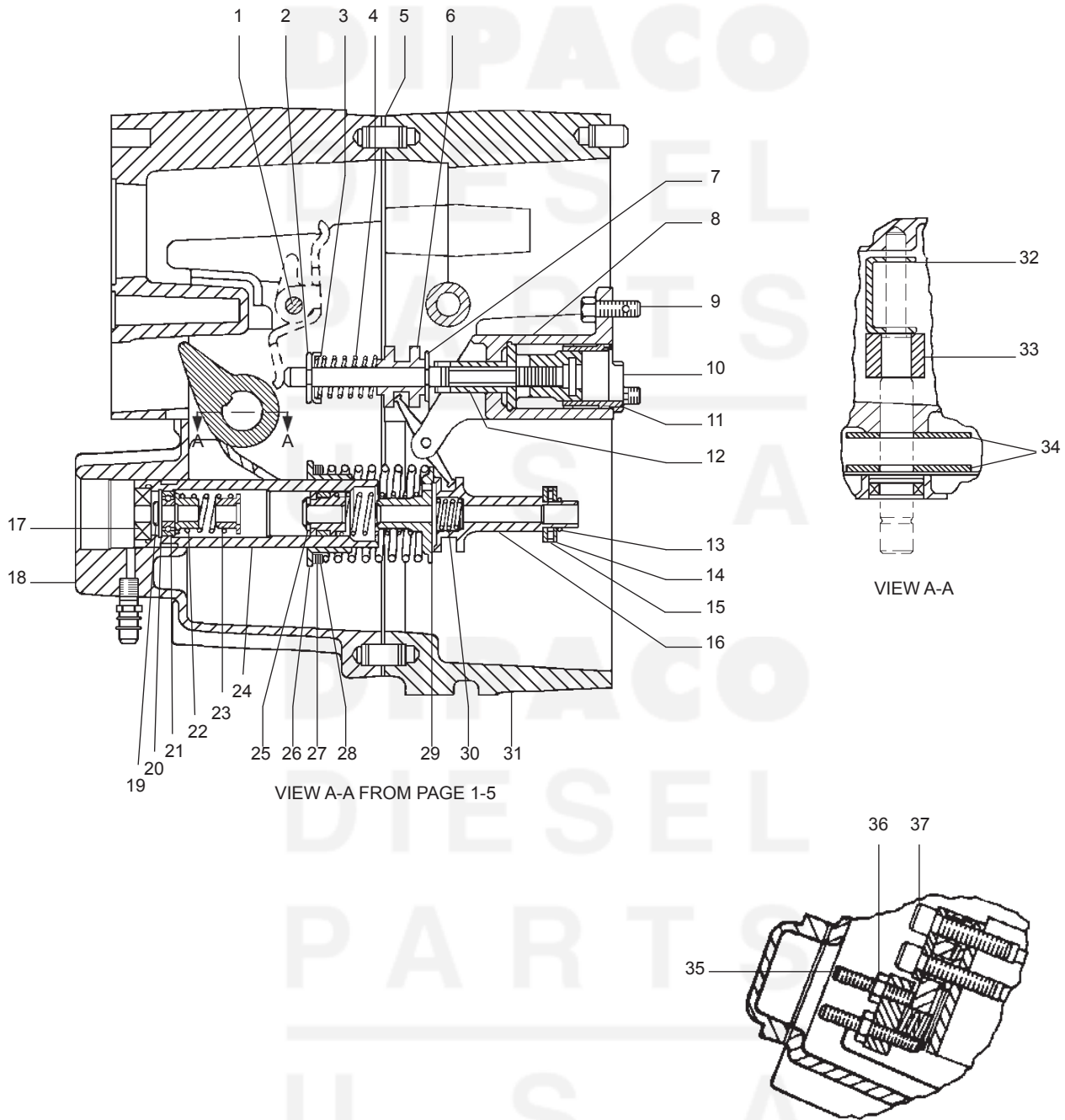
3304B/3306B NEW SCROLL FUEL PUMP Governor



3304B/3306B NEW SCROLL FUEL PUMP
Governor

REF	PART	DESCRIPTION	QTY
1	8F8178	BOLT	1
2	8F8178	BOLT	1
3	4N1761	BOLT	1
4	4N0117	GASKET	1
5	2W5448	COVER	1
6	4N1761	BOLT	1
7	0S1615	BOLT	1
8	4N1761	BOLT	1
9	4N1761	BOLT	4
10	5L4758	SEAL	1
11	8T2604	SEAL	1
12	3J7354	SEAL	1
13	4N5485	BODY	1
-	5F9144	SEAL	1
14	4N5484	VALVE	1
-	6H9691	SEAL	1
15	4F7957	BOLT	6
16	7N8780	COVER ASSEMBLY	1
17	7N8779	GASKET	1
18	3P0009	INSULATOR	1
19	1P2497	BOLT	2
20	8N3258	COVER	1
21	4N1761	BOLT	4
22	6I2004	GASKET	1
23	2S7383	BOLT	1
24	5N4185	SEALING WASHER	1
25	9M1974	WASHER	1
26	7W4272	NUT	1
27	7N2594	SETSCREW	1
28	7N2171	RING	1
29	7N2172	PIN	1
30	8N3087	STOP	1
31	2W7400	SPRING	1
32	7N5334	SETSCREW	1
33	4B2049	NUT	1
34	8N7276	CONTROL GROUP	1
35	8N2488	BOLT	1
36	1W4243	SPRING	1
37	8N3256	COLLAR	1
38	4B2049	NUT	1
39	5N4185	SEALING WASHER	1
40	4N1761	BOLT	4
41	0S1615	BOLT	2
42	8M8515	BOLT	1
43	9S4191	PLUG	1
44	3J1907	SEAL	1
45	5L4758	SEAL	1
46	8N5403	SHAFT ASSEMBLY-LONG	1
46	8N3088	SHAFT ASSEMBLY-SHORT	1
47	2S7383	BOLT	1
48	8F8178	BOLT	2
49	6I2002	COVER	1
50	2W5447	GASKET	1

3304B/3306B NEW SCROLL FUEL PUMP Governor

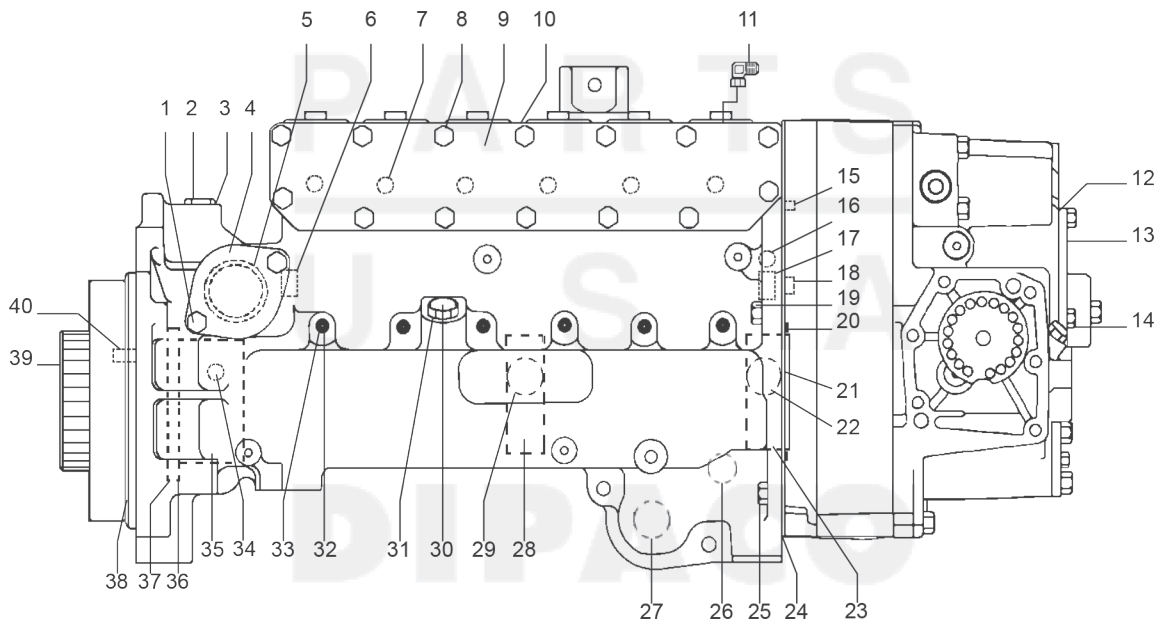


3304B/3306B NEW SCROLL FUEL PUMP
Governor

REF	PART	DESCRIPTION	QTY
1	7N8785	SHAFT	1
2	2M7819	RING	1
3	1N3802	SEAT	1
4	8N2496	SPRING	1
5	1N3801	GASKET	1
6	1N3800	SLEEVE	1
7	2M7819	RING	1
8	8N2507	PISTON ASSEMBLY	1
	8N2505	VALVE	1
	7N7271	LEVER	1
	3G3835	PIN	1
9	031-0216	BOLT	3
10	7W0250	SLEEVE	1
11	5P9757	SEAL	1
12	1W4098	PISTON	1
13	4N2953	RING	1
14	4N2927	RACE	2
15	7M7219	BEARING	1
16	4W6868	RISER	1
17	4N0260	SEAL	1
18	8N2501	HOUSING ASSEMBLY	1
19	7N8821	RING	2
20	3D8317	RING	1
21	4N0432	BEARING	1
22	3K5733	SPRING	1
23	7N7270	SLEEVE	2
24	8N2499	GUIDE	1
25	4N6404	RING	1
26	6N3504	SEAT	1
27	2P9556	WASHER	1
28	2N0828	WASHER	2
29	8N2503	DASHPOT ASSEMBLY	1
	4N6407	SPOOL	1
	4N6406	RING	1
30	7N7267	SPRING	1
31	8N2495	HOUSING ASSEMBLY	1
32	2W6102	LEVER	1
33	8N3168	LEVER	1
34	2W9305	PLATE	2
35	7N5334	SETSCREW	1
36	4B2049	NUT	1
37	2W1861	CONTROL GROUP	1

3406B/3406C NEW SCROLL FUEL PUMP

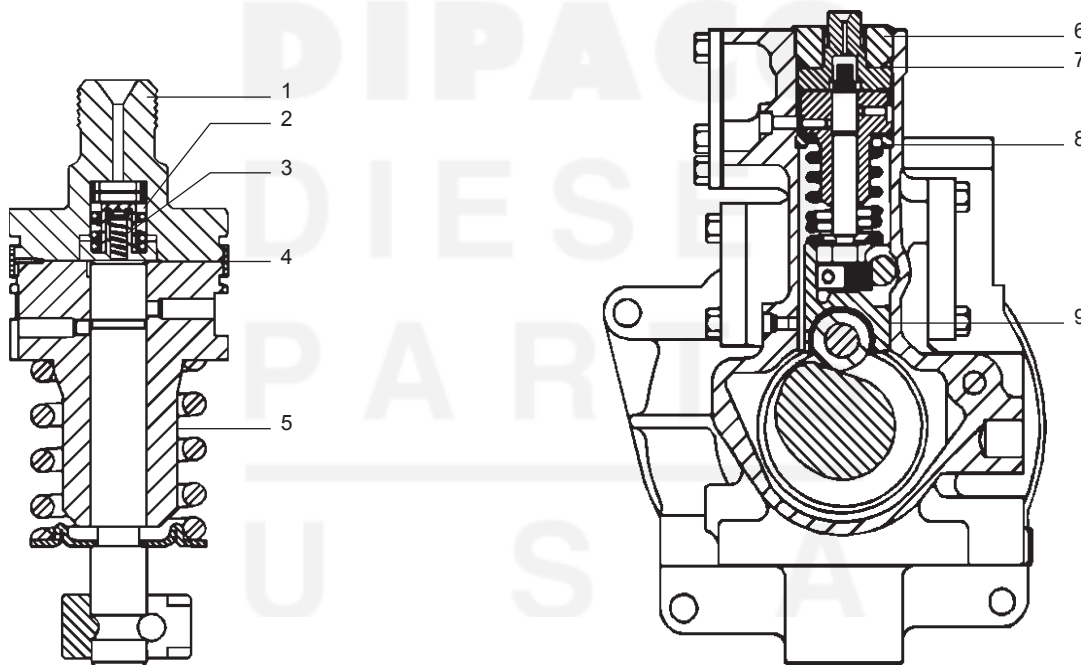
Pump Body - Camshaft



3406B/3406C NEW SCROLL FUEL PUMP
Pump Body - Camshaft

REF	PART	DESCRIPTION	QTY
1	4F7957	BOLT	4
2	9S4182	PLUG	1
3	3J7354	SEAL	1
4	1W5785	COVER	1
5	1H9696	O RING	1
6	1W3285	RACK BEARING	1
7	4P7045	DOWEL	6
8	2A0762	BOLT	14
9	7W0683	COVER	1
10	8N9374	GASKET	1
11	1W3151	ELBOW ASSEMBLY	1
	1W3153	ORIFICE	1
	3J1907	SEAL	1
12	6I2002	GASKET	1
13	2W5448	COVER	1
14	4F7957	BOLT	2
15	8S6814	DOWEL PIN	1
16	9S8001	PLUG	1
-	4J7533	SEAL	1
17	1S1953	RACK BEARING	1
18	8N9367	RACK	1
19	6V5894	BOLT	2
20	7N7166	RACE	2
21	7L3326	BEARING	1
22	9S8007	PLUG	1
-	7J0204	SEAL	1
23	9N6668	BEARING	1
24	8N9382	GASKET	1
25	6V5894	BOLT	2
26	1S0004	O RING	1
27	9M9647	SEAL O RING	1
28	8N2648	RING	1
29	9S8007	PLUG	1
-	7J0204	SEAL	1
30	9S4182	PLUG	1
31	3J7354	SEAL	1
32	8N3731	PIN	6
33	3H0442	O RING	6
34	9S8003	O RING	1
35	9N6667	BEARING	1
36	7D1189	BEARING	1
37	9J0114	RACE	2
38	6F4718	O RING	1
39	7W3102	CAMSHAFT	1
40	6V5135	SETSCREW	4

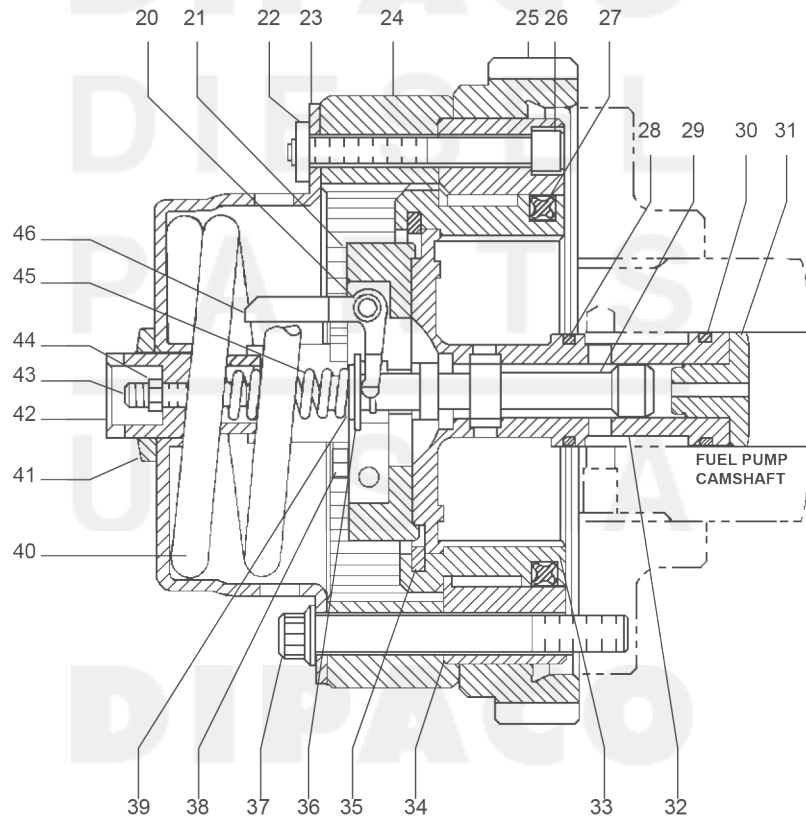
3406B/3406C NEW SCROLL FUEL PUMP Plunger And Barrel



3406B/3406C NEW SCROLL FUEL PUMP
Plunger And Barrel

REF	PART	DESCRIPTION	QTY
1	108-2102	BONNET	6
2	4P7688	CHECK VALVE	6
2	4P9258	CHECK VALVE	6
2	115-5705	CHECK VALVE	6
3	8N5993	SPRING	6
4	1N3257	RETAINER RING	6
5	108-2104	PLUNGER & BARREL ASSEMBLY	6
5	108-6631	PLUNGER & BARREL ASSEMBLY	6
6	7C6617	BUSHING	6
7	131-3719	O RING	6
8	8N0672	SPACER .1988" (108-6631 ONLY)	6
8	7E9907	SPACER .2662" (108-2104 ONLY)	6
9	7E6011	LIFTER	6
	NOTE:	MUST USE 7E9907 SPACER WITH 108-2104 PLUNGER & BARREL ASSEMBLY.	
		MUST USE 8N0672 SPACER WITH 108-6631 PLUNGER & BARREL ASSEMBLY.	
		108-2104 PLUNGER LENGTH 3.112"	
		108-6631 PLUNGER LENGTH 3.0481"	

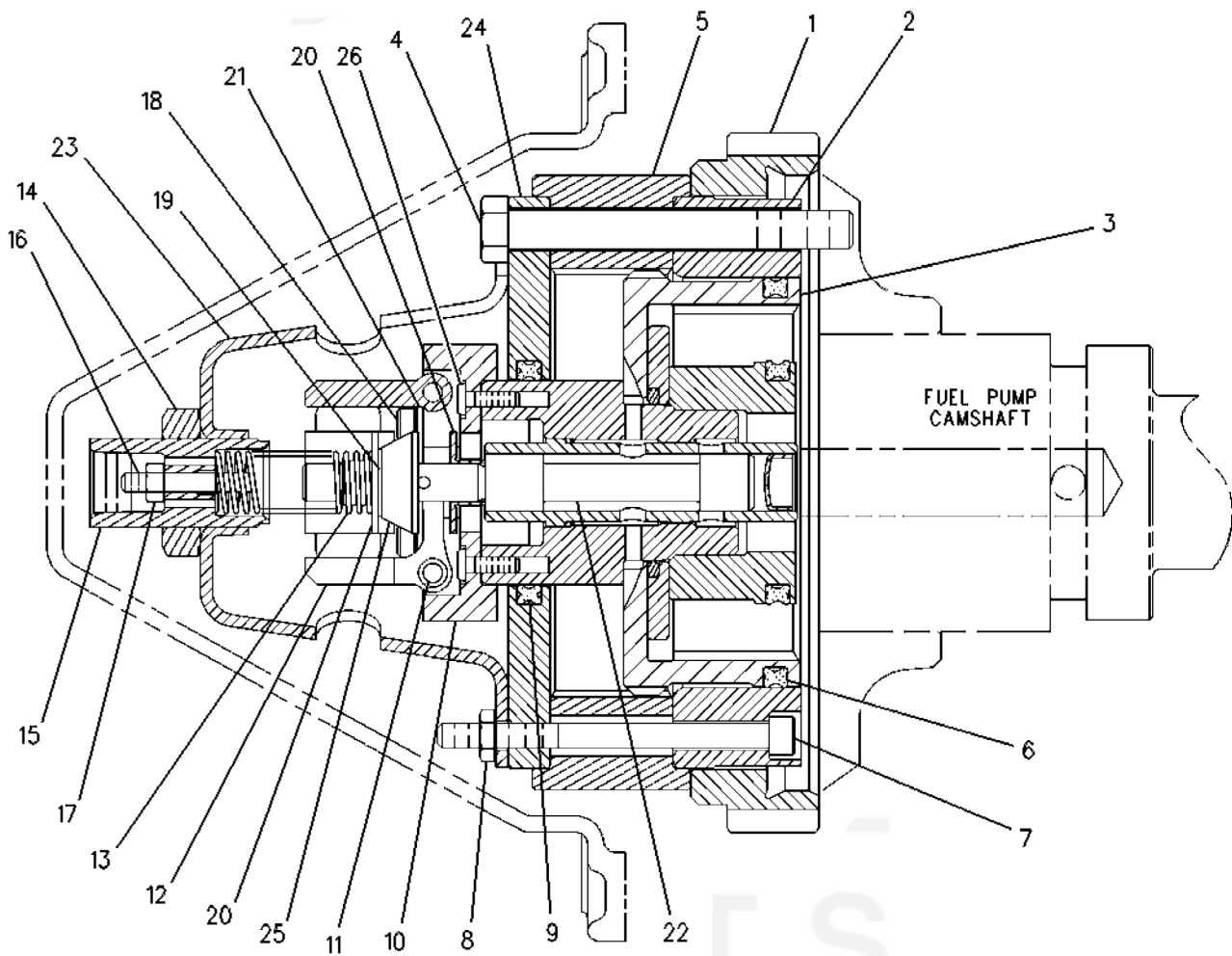
3406B/3406C NEW SCROLL FUEL PUMP 3406B Automatic Timing Advance Unit (Early)



3406B/3406C NEW SCROLL FUEL PUMP
3406B Automatic Timing Advance Unit (Early)

REF	PART	DESCRIPTION	QTY
20	1S5440	DOWEL	4
21	1W5434	CARRIER	4
22	5P3383	NUT	2
23	1W5441	RETAINING ASSEMBLY	1
24	1W5431	RING	1
25	7W0993	GEAR (64 TEETH)	1
26	6H3958	BOLT	4
27	4W0436	SEAL	1
27	9X7715	SEAL	1
28	4W0435	SEAL	1
29	1W5438	SPOOL	1
30	4W4616	SEAL	1
31	4W4617	PLUG	1
32	4W4618	BODY	1
33	1W5436	CARRIER	1
34	7W3218	RING	1
35	8F1145	RING	1
36	4N2927	RACE	1
37	6V7543	BOLT	4
38	6L5897	BOLT	4
39	8S7803	RING	1
40	1W5427	SPRING	1
41	3S4701	NUT	1
42	4W0811	SCREW	1
43	5H6552	SETSCREW	1
44	4B2049	NUT	1
45	2W4742	SPRING	1
46	7N7264	WEIGHT	4

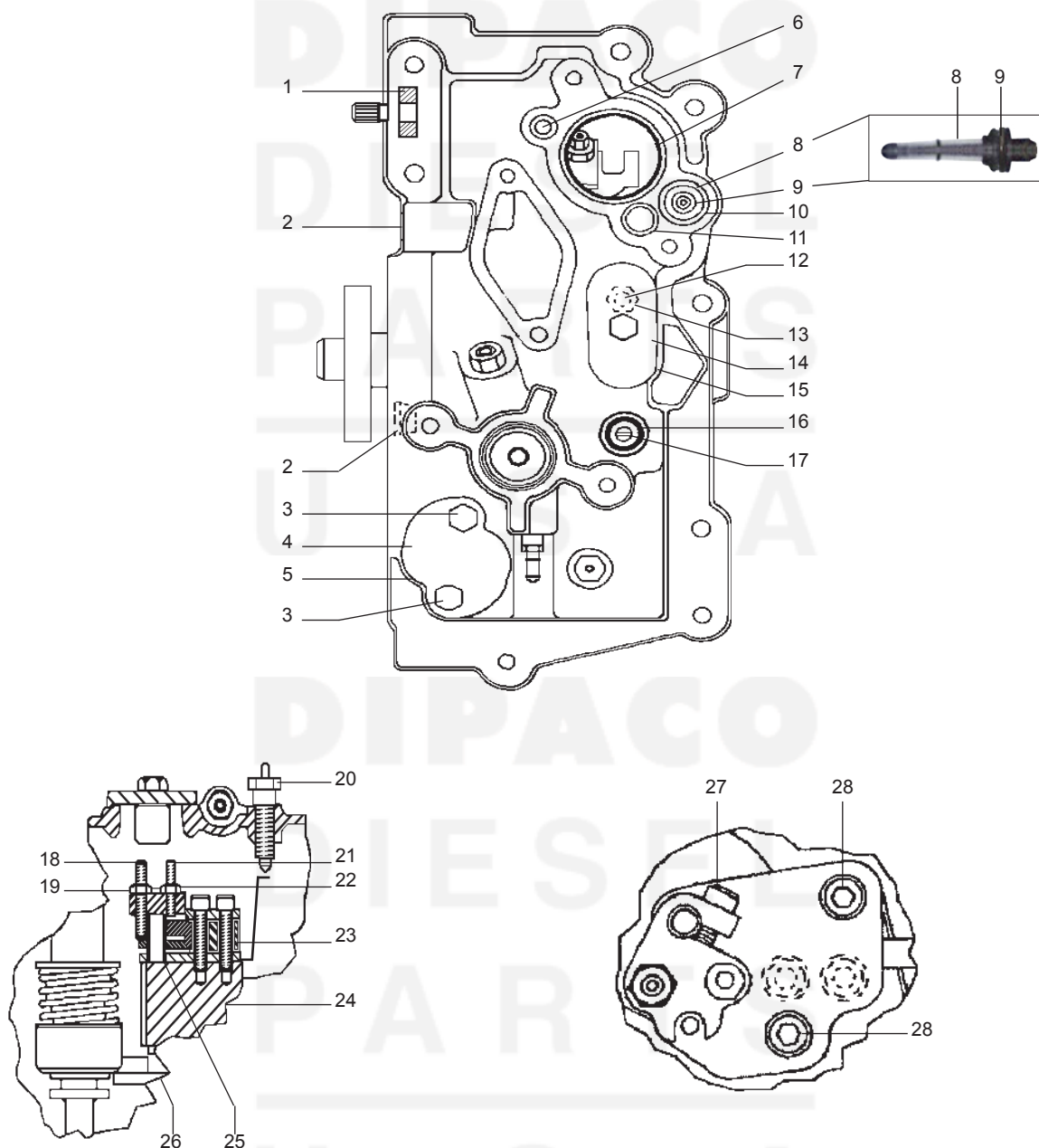
3406B/3406C NEW SCROLL FUEL PUMP
3406B Automatic Timing Advance Unit (Late)



3406B/3406C NEW SCROLL FUEL PUMP
3406B Automatic Timing Advance Unit (Late)

REF	PART	DESCRIPTION	QTY
1	7W0993	GEAR PUMP DRIVE (64 TEETH)	1
2	100-2848	RING GUIDE	1
3	132-7446	CARRIER ASSEMBLY	1
4	0T0065	BOLT (3/8-16 X 3.5 IN)	8
5	100-2851	RING DRIVE	1
6	9X7715	SEAL (LOBED) (90.93MM ID)	1
7	6V7698	BOLT (HEX HEAD) (1/4-20 X 3.25 IN)	8
8	1B4427	NUT JAM (1/4-20 THD)	8
9	4W2754	SEAL (QUAD RING) (50.17MM ID)	1
10	132-7444	CARRIER WEIGHT	1
11	1S5440	DOWEL	4
12	119-2130	WEIGHT GOVERNOR	4
13	6I3054	SPRING	1
14	3K3467	NUT WHEEL (7/8-20 THD)	1
15	4P1638	SCREW	1
16	5H6552	SETSCREW SOCKET (31.75MM LG)	1
17	8L5832	NUT HEX (10-32 THD)	1
18	8C9034	BOLT (10-24 X 1 IN)	4
19	009-3101	RING RETAINER	1
20	4P7690	RACE (FLYWEIGHT)	2
21	9Y7450	RETAINER	2
22	4P7691	SPOOL (ADVANCE)	1
23	100-2847	COVER (FLYWEIGHT)	1
24	100-2849	PLATE	1
25	4P3337	RACE (FLYWEIGHT)	1
26	8T9394	SCREW (SOCKET HEAD)	4

3406B/3406C NEW SCROLL FUEL PUMP 3406B Mechanical Governor



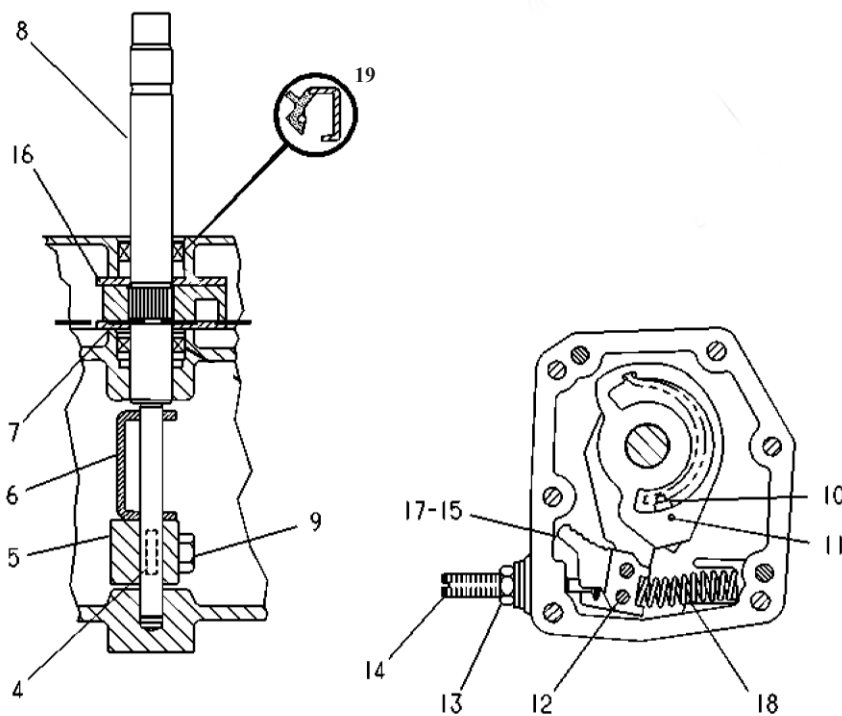
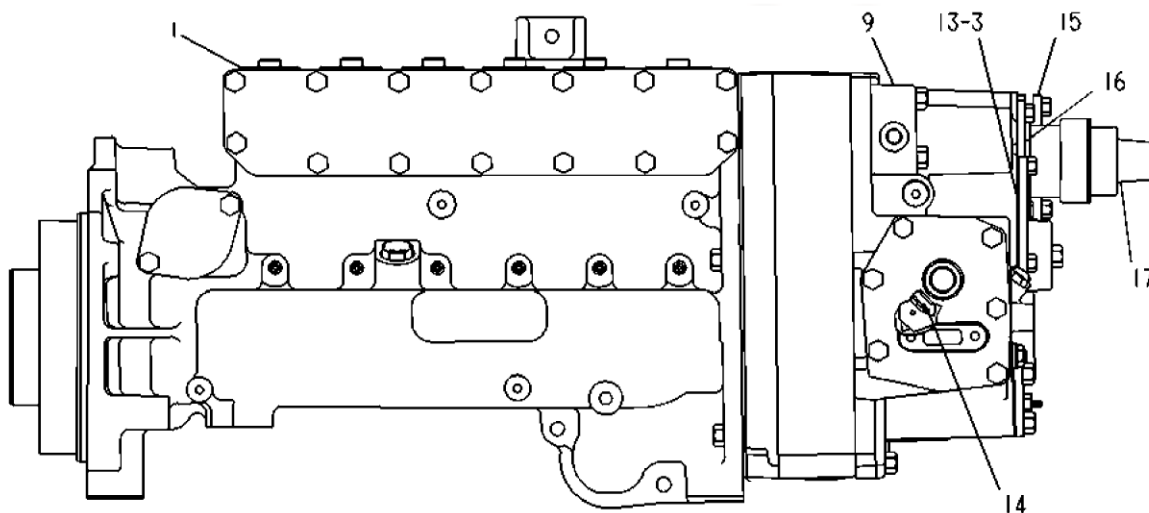
3406B/3406C NEW SCROLL FUEL PUMP
3406B Mechanical Governor

REF	PART	DESCRIPTION	QTY
1	6V5029	SEAL	1
2	9S8003	PLUG O RING	2
-	1J9671	SEAL O RING	2
3	2N5919	BOLT	2
4	8N3762	COVER	1
5	8N3763	GASKET	1
6	8J8343	O RING	1
7	8M8515	O RING	1
8	8N6680	SCREEN	1
9	2D6392	O RING	1
10	5P6620	O RING	1
11	033-5879	O RING	1
12	1N3887	SETSCREW-SOCKET	1
13	5B3180	JAM NUT	1
14	1N3935	COVER	1
15	8N3765	GASKET	1
16	4W9362	SEALING NUT	1
17	7N2594	SLOTTED SETSCREW	1
18	5H6552	SETSCREW	1
19	4B2049	BOLT	1
20	3P0009	INSULATOR STUD	1
21	7N5334	SETSCREW	1
22	4B2049	NUT	1
23	7W8405	CONTACT	1
24	8N3956	BLOCK ASSEMBLY	1
	8N3303	DOWEL	1
25	1W4243	SPRING-BUMPER	1
26	7W5836	BOLT ASSEMBLY	1
27	6D3897	BOLT	1
28	6L5551	BOLT	2

3406B/3406C NEW SCROLL FUEL PUMP
3406B Mechanical Governor

REF	PART	DESCRIPTION	QTY	REF	PART	DESCRIPTION	QTY
1	5H6552	SETSCREW	1	35	2W2216	SPRING	1
-	4B2049	NUT	1	36	4N5621	SHAFT	1
2	8N9384	GASKET	1	37	4W5735	LEVER ASSEMBLY	1
3	1N3800	SLEEVE	1	38	6V6835	SETSCREW	1
4	1W4098	PISTON	1	-	4B2049	NUT	1
5	031-0216	BOLT	3	39	2M7819	RING	1
6	8N2507	PISTON ASSEMBLY	1	40	2W0800	LEVER	1
	8N2505	VALVE GOVERNOR	1	41	4W5734	LEVER ASSEMBLY	1
	7N7271	LEVER	1	42	2W0799	SPRING	1
	3G3835	PIN	1	43	2W0801	SHAFT	1
7	5P9757	SEAL	1	44	8S7803	RING	1
8	1S5440	DOWEL	1	45	1W3961	SPACER	1
9	4N2927	RACE (O.D. 0.791")	2	46	6V6835	SETSCREW	1
9	7E4892	RACE (O.D. 0.915")	2	-	4B2049	NUT	1
9	133-8890	RACE (O.D. 1.174")	2	47	1W3962	SPACER	1
10	7M7219	BEARING	1	48	1W5337	SHAFT ASSEMBLY	1
11	5P9087	BOLT	4	49	8T2604	SEAL	1
12	4N9019	DOWEL	1	50	8N3945	BUSHING	1
13	8N2510	SHAFT	1	51	1K3047	WASHER	1
14	4N2953	RING	1	52	5H2532	KEY	1
15	8N2511	CARRIER	1	53	2W6102	LEVER	1
16	8N9680	HOUSING ASSEMBLY	1				
	8S6814	PIN (LONG)	4		NOTE:	MUST USE 133-8899 RACE WITH	
	4F6024	PIN (SHORT)	2			119-8699 WEIGHT.	
17	119-8699	WEIGHT	4				
18	4W6868	RISER	1				
19	7N7267	SPRING	1				
20	7W4068	DASHPOT ASSEMBLY	1				
	7W4882	SPRING	1				
	7N7268	SEAT	1				
	1N3861	SHIELD	1				
	4N6408	PISTON ASSEMBLY	1				
	4N6407	SPOOL	1				
	4N6406	SPACER RING	1				
	4N6404	RETAINING RING	1				
21	2P9556	WASHER	1				
-	2N0828	SPRING WASHER	1				
22	6N3504	SEAT	1				
23	7N8821	RING	2				
24	3K5733	SPRING	1				
25	7N7270	SLEEVE	2				
26	4N0432	BEARING	1				
27	4N0260	SEAL	1				
28	7W4182	VALVE BODY	1				
-	5F9144	SEAL	1				
29	4N5484	VALVE	1				
-	6H9691	SEAL	1				
30	8N3760	COVER	1				
-	8N3761	GASKET	1				
-	030-9615	SCREW	4				
31	1W5342	LEVER	1				
32	0S1588	BOLT	1				
33	2M7819	RING	2				
34	1N3802	SEAT	1				

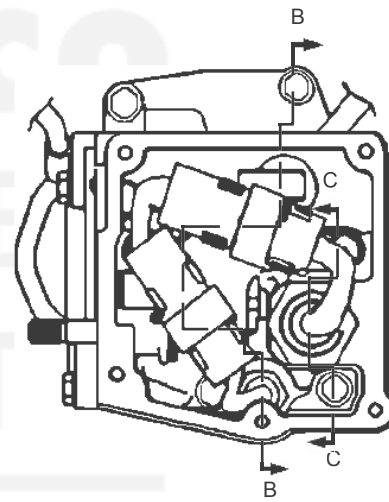
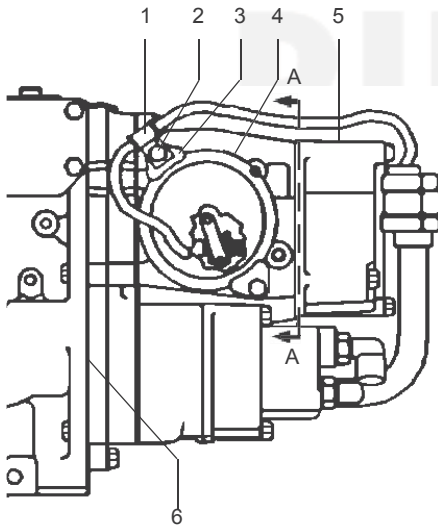
3406B/3406C NEW SCROLL FUEL PUMP 3406B Mechanical Governor



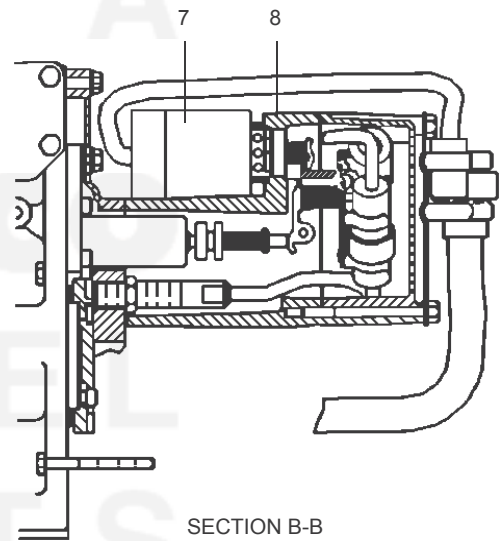
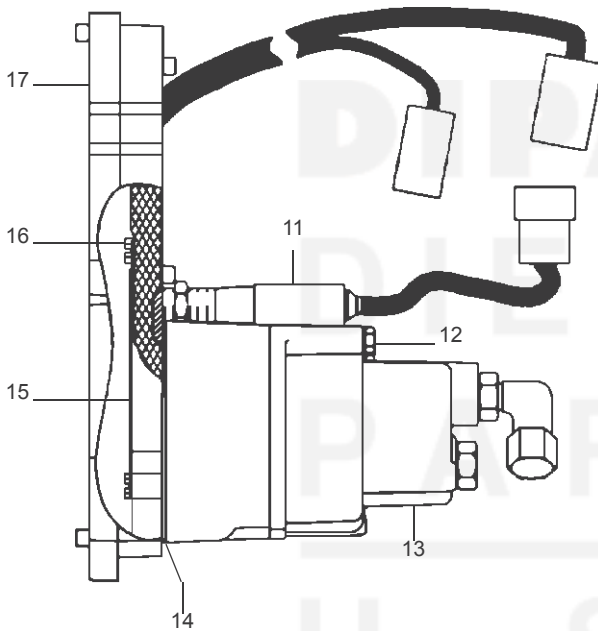
3406B/3406C NEW SCROLL FUEL PUMP
3406B Mechanical Governor

REF	PART	DESCRIPTION	QTY
4	5M2057	SEAL O-RING	2
5	8N-9382	GASKET	1
6	0335879	SEAL O-RING	1
7	8M-9141	SPRING GOVERNOR	1
8	7N-5334	SETSCREW-SOCKET	1
10	4B-2049	NUT	1
11	2W-6660	TORQUE CONTROL GP	1
12	7C-5890	FASTENER GP-GOVERNOR	1
14	2W-9657	SPRING-DETENT	1
18	5P-6620	SEAL O-RING	1
19	8T2604	SEAL	1

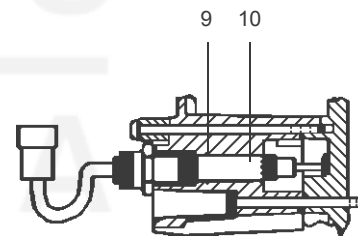
3406B/3406C NEW SCROLL FUEL PUMP 3406C Electronic Governor



SECTION A-A



SECTION B-B

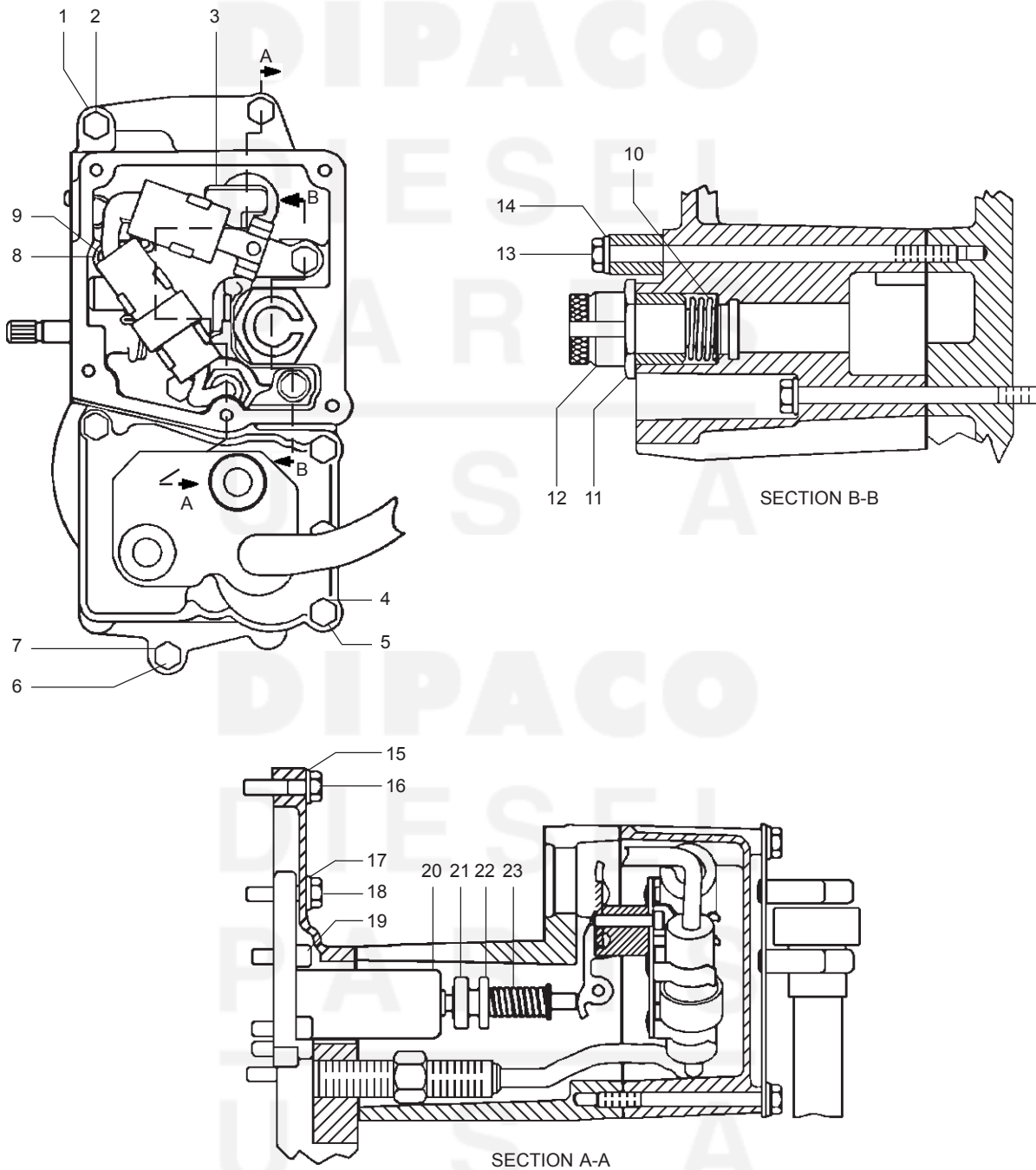


SECTION C-C

3406B/3406C NEW SCROLL FUEL PUMP
3406C Electronic Governor

REF	PART	DESCRIPTION	QTY
1	8M2771	CLIP	1
2	0S1347	BOLT	2
3	4W2482	CLAMP	2
4	105-2939	SOLENOID-ROTARY	1
-	2H3931	O RING	1
5	4W2283	GOVERNOR-ELECTRONIC	1
6	4W2491	GASKET	1
7	3E0076	SOLENOID ASSEMBLY	1
8	6V1903	O RING	1
9	7F8607	O RING	1
10	3E8540	CONTROL GROUP	1
	108-4747	HOUSING	1
11	100-6619	SENSOR-DIGITAL	1
12	8S4710	BOLT	2
-	5P0537	WASHER	2
13	9X4450	CONTROL GROUP	1
14	7W7290	GASKET	1
15	4W2365	RETAINER	1
16	9B1722	SCREW	3
17	4W2619	HOUSING ASSEMBLY	1
	6L2244	PIN SPRING)	2
	8S6814	PIN (DOWEL)	2

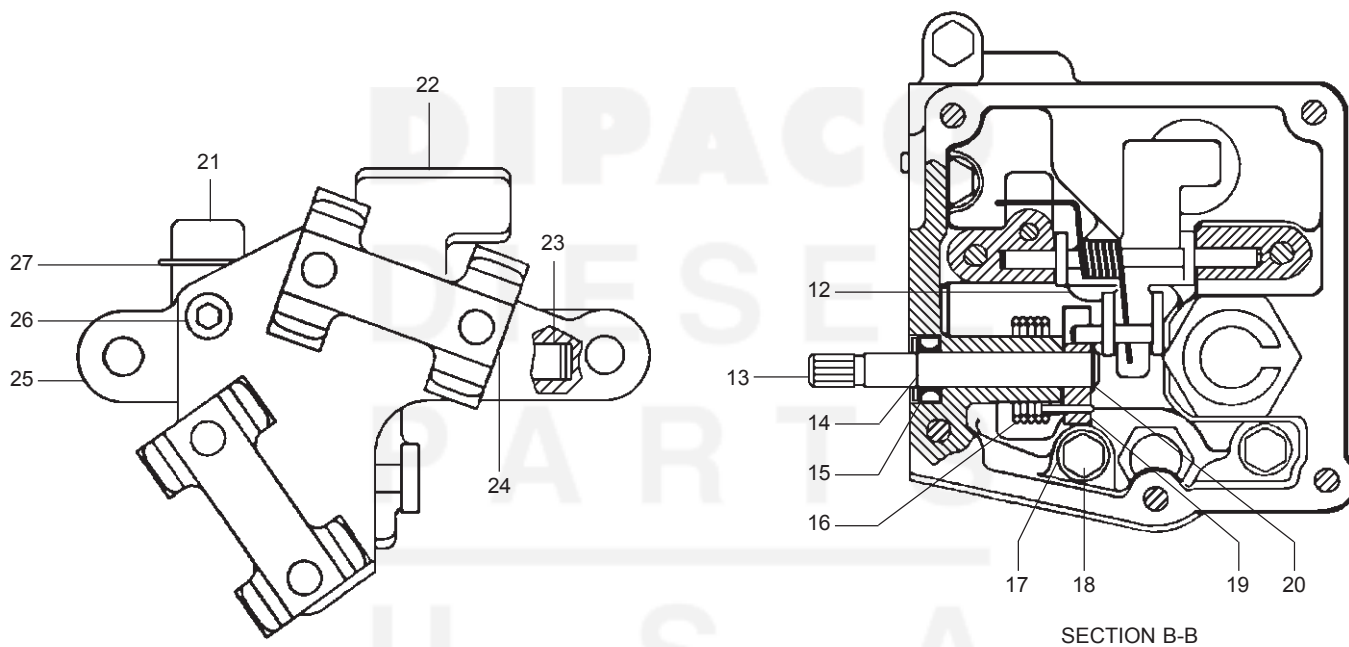
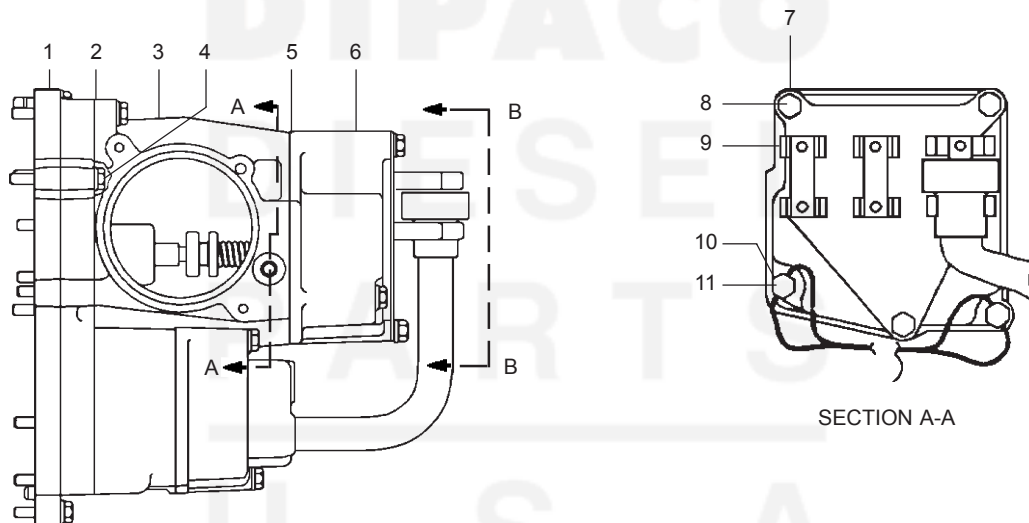
3406B/3406C NEW SCROLL FUEL PUMP 3406C Electronic Governor



3406B/3406C NEW SCROLL FUEL PUMP
3406C Electronic Governor

REF	PART	DESCRIPTION	QTY
1	5P0537	WASHER	9
2	1B2714	BOLT	1
3	4W9590	LEVER GROUP	1
4	1B2717	BOLT	3
5	5P0537	WASHER	9
6	9F6580	BOLT	3
7	5P0537	WASHER	9
8	5P0537	WASHER	9
9	2A5546	BOLT	1
10	4B4909	SPRING	1
11	4W2480	NUT	1
12	4P9667	COLLAR	1
13	1B2717	BOLT	3
14	5P0537	WASHER	9
15	5P0537	WASHER	9
16	1B2717	BOLT	3
17	5P0537	WASHER	9
18	9F6580	BOLT	3
19	7E3502	BOLT	3
20	4P1367	PISTON ASSEMBLY	1
	4P1372	PISTON	1
	5P9757	O RING	1
	7W7809	VALVE	1
21	2M7819	RETAINER RING	2
22	1N3800	SLEEVE	1
23	1N3801	SPRING	1

3406B/3406C NEW SCROLL FUEL PUMP 3406C Electronic Governor

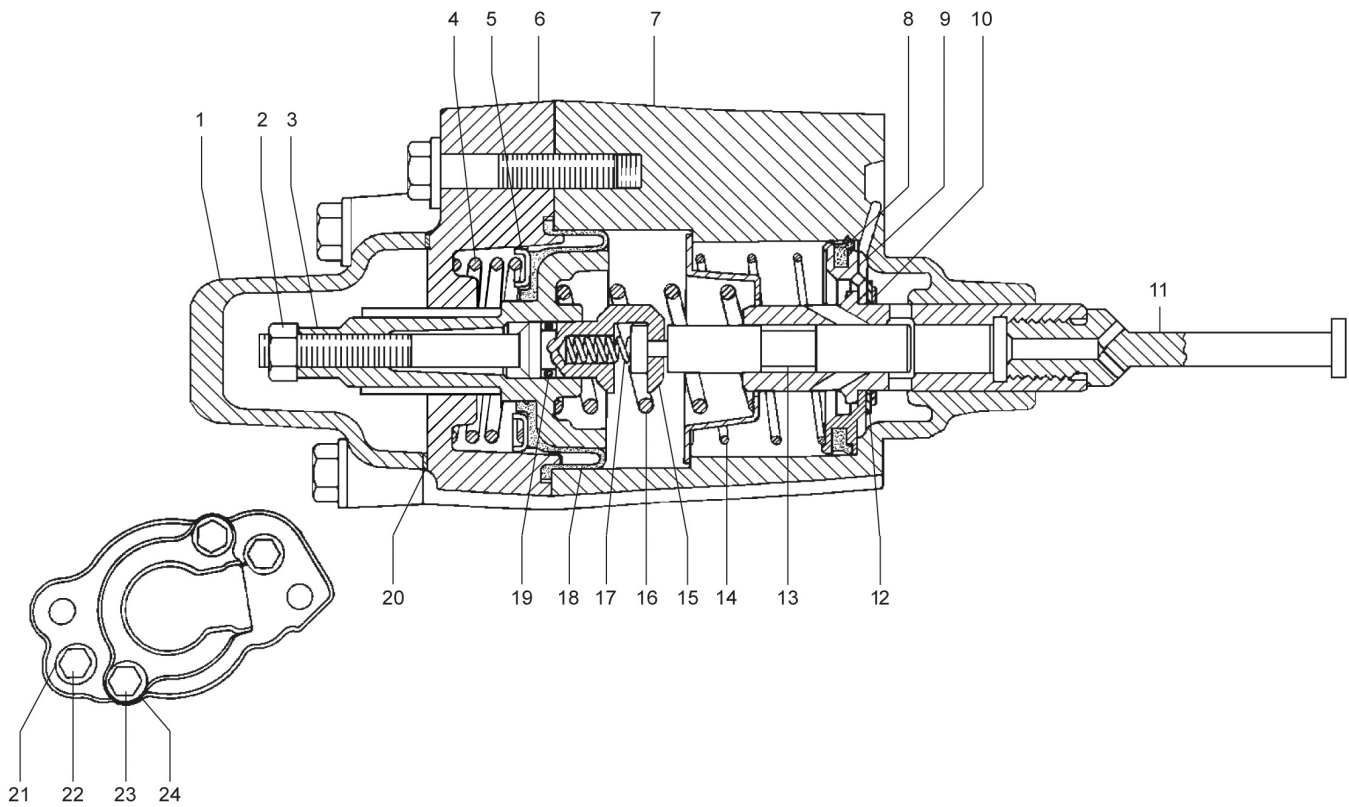


3406B/3406C NEW SCROLL FUEL PUMP
3406C Electronic Governor

REF	PART	DESCRIPTION	QTY
1	7E5398	HOUSING	1
2	4W2488	GASKET	1
3	4W2525	HOUSING ASSEMBLY	1
4	8B2377	BOLT	1
-	5P0537	WASHER	8
5	4W2489	GASKET	1
6	4W2283	COVER	1
7	5P0537	WASHER	8
8	4B9365	BOLT	3
9	7C2646	CLIP ASSEMBLY	1
-	8C3334	RIVET	6
10	6L1559	BOLT	2
11	5P0537	WASHER	8
12	2A5546	BOLT	2
-	5P0537	WASHER	8
13	4W2372	SHAFT	1
14	8S7803	RETAINING RING	1
15	6V5029	SEAL	1
16	7W9850	SPRING	1
17	5P0537	WASHER	8
18	2A5546	BOLT	2
19	4W2371	LEVER	1
20	2W7819	RETAINING RING	1
21	4W6962	PLATE	1
22	4P1351	LEVER ASSEMBLY	1
	6H3956	PIN	1
23	4W6961	SHAFT	1
24	9Y7836	CLIP ASSEMBLY	1
	8C3334	RIVET	4
25	4W6963	CLAMP	1
26	1H3340	BOLT	1
27	4W2484	SPRING	1

NEW SCROLL FUEL PUMPS

Air Fuel Ratio



DIESEL
PARTS

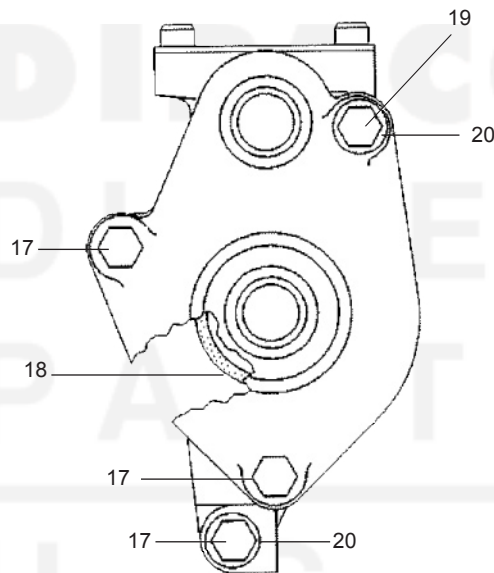
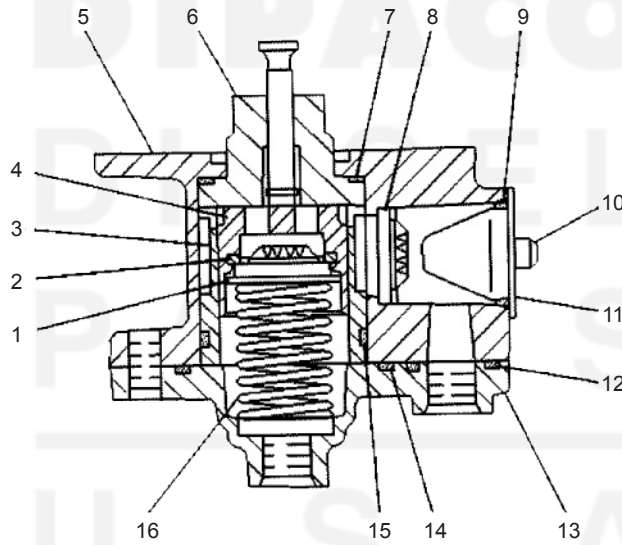
U S A

NEW SCROLL FUEL PUMPS
Air Fuel Ratio

REF	PART	DESCRIPTION	QTY
1	1W2076	COVER - EARLY	1
1	4P7274	COVER - LATE	1
2	1B4201	NUT	1
3	4W0924	RETAINER	1
4	7W2826	SPRING	1
5	106-6493	WASHER	1
6	7W2829	COVER	1
7	7N9062	HOUSING	1
8	8N5763	SEAL	1
9	8N5764	PISTON	1
10	8F4610	RING	1
11	2W9316	VALVE ASSEMBLY	1
12	2W9315	WASHER	2
13	7N9036	VALVE (INTERNAL)	1
14	8N5765	SPRING	1
15	7W2015	EXTENSION (VALVE)	1
16	7W2827	SPRING - 3306B	1
16	7W2828	SPRING - 3406B	1
17	9N1754	SPRING	1
18	6I1564	DIAPHRAGM	1
19	7J0204	SEAL	1
20	4P9608	GASKET USE WITH 1W2076 COVER	1
20	5P8210	O-RING USE WITH 4P7274 COVER	1
21	5P0537	WASHER	2
22	2A5546	BOLT	2
23	5P6945	BOLT	2
24	5P0537	WASHER	2

NEW SCROLL FUEL PUMPS

Fuel Transfer Pump

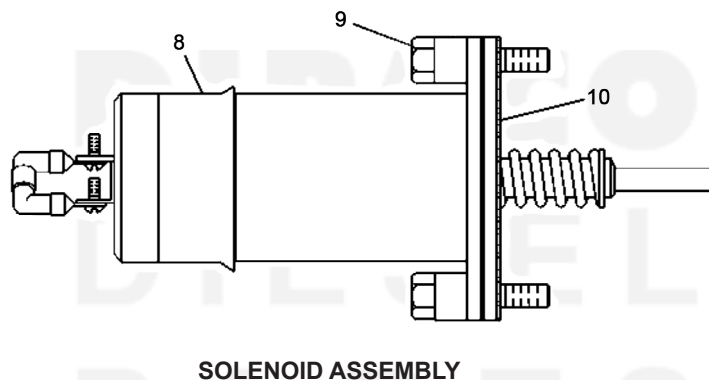
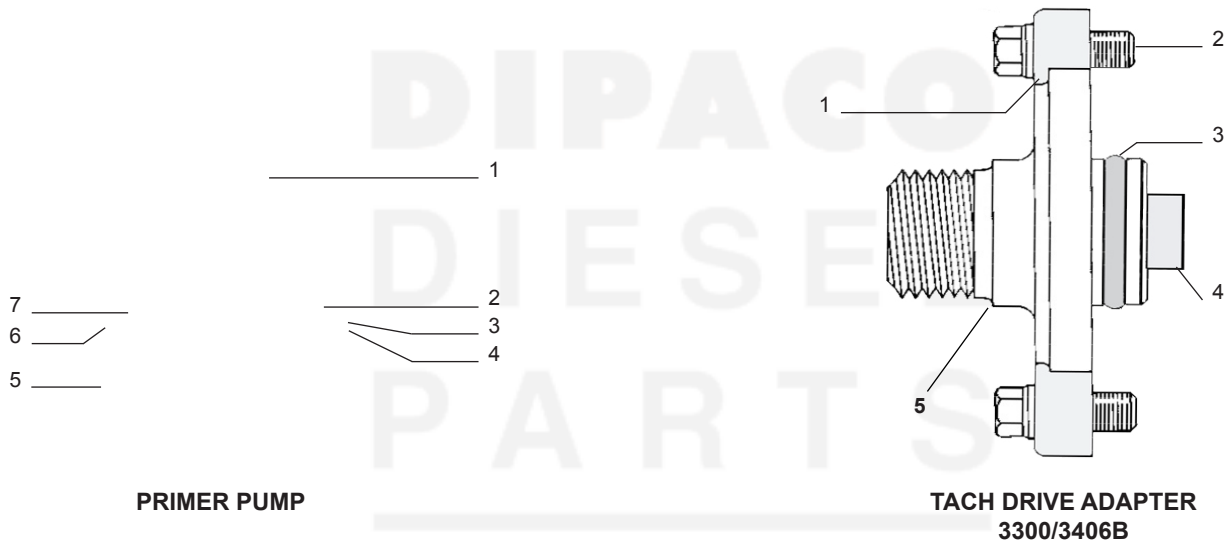


NEW SCROLL FUEL PUMPS
Fuel Transfer Pump

REF	PART	DESCRIPTION	QTY
1	8N2637	WASHER	1
2	7C0396	SPACER	1
3	8N2641	SLEEVE	1
4	1W1669	PISTON	1
5	1W1698	HOUSING	1
6	1W5910	GUIDE AND TAPPET ASSEMBLY	1
7	6J2419	O RING	1
8	7W8412	VALVE ASSEMBLY	3
9	3D2824	O RING	1
10	6D8498	SCREW	2
11	8N2640	COVER	1
12	6F6672	O RING	1
13	1W1699	COVER	1
14	3D2898	O RING	1
15	5P8215	O RING	1
16	7W0134	SPRING	1
17	0S1615	BOLT	3
18	4J8997	SEAL	1
19	4B9365	BOLT	1
20	5P0537	WASHER	2

NEW SCROLL FUEL PUMPS

Primer Pump - Tach Drive Adapter - Solenoid



NEW SCROLL FUEL PUMPS
Primer Pump - Tach Drive Adapter - Solenoid

REF	PART	DESCRIPTION	QTY
		PRIMER PUMPS	
1	4W0788	PUMP ASSEMBLY 3208/3300/3400B	1
2	1H5514	BOLT	1
3	9M1974	WASHER	1
4	5P0537	WASHER	1
5	1P0436	GASKET	1
6	9M1974	WASHER	1
7	9F7022	BOLT	1
		TACH DRIVE ADAPTER - 3300/3406B	
1	9S0211	CLAMP	2
2	4M5281	BOLT	2
3	4M8303	O RING	1
4	4N0538	COUPLING	1
5	1W2316	HOUSING	1
		SOLENOID ASSEMBLY	
8	125-5773	12V SHUTOFF SOLENOID	1
8	125-5774	24V SHUTOFF SOLENOID	1
8	125-5775	32V SOLENOID ASSEMBLY	1
9	9F6580	BOLT	2
10	2W5447	GASKET	1
		LIFT PUMP REPAIR KITS	
-	DPE22240	REPAIR KIT 3300-3406 SERIES	1
-	DPE22245	REPAIR KIT 3300-3406 SERIES	1

NEW SCROLL FUEL PUMPS

Gasket Kits

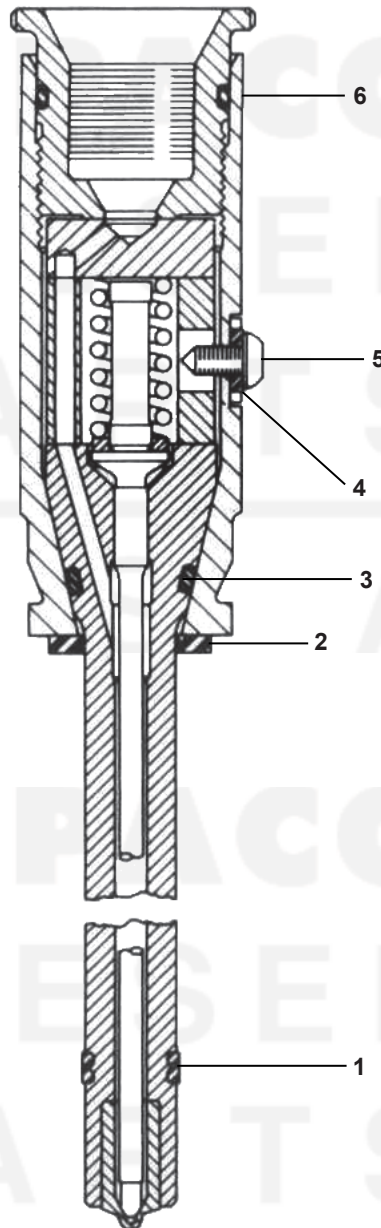
PART NUMBER	DESCRIPTION	APPLICATION
DPE22240	LIFT PUMP REPAIR KIT (1W1695-1W1700 PUMP GROUP-LATE)	3300-3406 SERIES
DPE22245	LIFT PUMP REPAIR KIT (7N6831 PUMP GROUP-EARLY)	3300-3406 SERIES
DPE3300SC	NEW SCROLL GASKET KIT	3300 SERIES
DPE3406BPM	NEW SCROLL PUMP MOUNT GASKET KIT	3406B/C
DPE3406B.....	OVERHAUL GASKET KIT (W/ MECHANICAL GOVERNORS)	3406B/C
DPE3406C.....	OVERHAUL GASKET KIT (W/ ELECTRONIC GOVERNORS).....	3406C

DIPACO has developed special gasket kits and overhaul gasket kits for Caterpillar fuel pumps. These kits are designed to contain all of the gaskets, seals, o-rings, and other items you need to work on any fuel pump within the applicable series. These kits eliminate the need for a fuel shop to stock numerous different versions of gasket kits for one fuel pump series, saving the fuel shop time and money.

PART NUMBER	DESCRIPTION
DPE17219	RISER BEARING & WASHER KIT CONTENTS: D7M7219 (BEARING) (1), D4N2927 (RACE) (2)
DPE3305	GOVERNOR UPDATE KIT CONTENTS: D8N2511 (WEIGHT CARRIER) (1), D7M7219 (BEARING) (1), D1S5440 (WEIGHT DOWEL) (4), D119-8699 (WEIGHT) (4), D133-8890 (2)

NEW SCROLL FUEL PUMPS

7000 Series Injectors



REF	PART	DESCRIPTION	QTY
1	9L9089	CARBON DAM	1
2	-	SEE CHART	1
3	DPE7002	O-RING, STEM	1
4	114-3364	WASHER	1
5	9X2836	BLEED SCREW	1
6	DPE7001	O-RING, INLET ADAPTER	1

INJECTOR COMPRESSION WASHER REFERENCE

Compression Washer	Color	Thickness/mm (in)	Material
8N4183	LT. YELLOW	1.27 (0.050)	NYLON
4W3914	GREY	1.27 (0.050)	COPPER
4W6060	BLUE	3.18 (0.125)	NYLON
7W4482	GREEN	3.18 (0.125)	COPPER
7W4483	RED	2.54 (0.100)	COPPER
7W4485	COPPER	1.27 (0.050)	COPPER
7W4486	VIOLET	1.84 (0.072)	COPPER
7W4487	BLACK	1.27 (0.050)	COPPER
7W8119	YELLOW	1.84 (0.072)	COPPER

NEW SCROLL FUEL PUMPS

7000 Series Injectors

VOP REFERENCE

- (1) 1,600 - 2,350 PSI
- (2) 2,000 - 2,700 PSI
- (3) 3,000 - 3,900 PSI
- (4) 2,700 - 3,500 PSI
- (5) 2,400 - 3,200 PSI

Injector Assembly	Compression Washer	VOP	Injector Assembly	Compression Washer	VOP
100-7550	7W4487	(2)	7W7035	7W4487	(1)
100-7551	7W4487	(2)	7W7037	7W4487	(1)
100-7552	7W4482	(2)	7W7038	7W4482	(1)
100-7553	7W4487		7W7040	7W4487	(2)
100-7554	7W4487		7W7041	7W4487	(2)
100-7556	7W4487	(2)	7W7042	7W4487	(2)
100-7557	7W4487	(2)	7W7043	7W4487	(2)
100-7558	7W4487	(2)	7W7044	7W4487	(2)
100-7559	7W4486	(2)	7W7045	7W4482	(2)
100-7560	4W4487	(2)	8N7001	8N4183	(1)
100-7561	7W4486	(2)	8N7002	8N4183	(1)
100-7562	7W4482	(2)	8N7003	7W4486	(1)
100-7563	7W4482	(2)	8N7004	4W3914	(1)
100-7564	7W4486	(2)	8N7005	7W4486	(1)
100-7565	7W4487	(2)	8N7006	8N4183	(1)
100-7567	7W4487	(3)	8N7007	7W4487	(1)
100-7600	7W4487	(2)	0R4335	7W4487	(2)
100-7600	7W4487		0R4336	7W4482	(2)
104-3377	7W4482	(2)	0R4338	7W4487	(2)
104-9450	7W4486	(3)	0R4339	7W4487	(2)
104-9451	7W4486		0R4340	7W4486	(2)
104-9452	7W4486	(3)	0R4341	4W4487	(2)
104-9453	7W4486	(3)	0R4343	7W4482	(2)
104-9454	7W4486	(3)	0R8782	7W4482	(2)
104-9455	7W4486		0R8783	7W4486	(2)
121-4353	7W4487	(3)	0R4337	7W4487	(2)
127-9792	7W4487	(4)	0R4337	7W4487	
127-9793	7W4487	(4)	0R8786	7W4482	(2)
128-3815	7W4485		0R8289	7W4487	(4)
129-1351	7W4487	(2)	0R8290	7W4487	(4)
130-1804	7W4487	(4)	0R9943	7W4487	(2)
130-1806	7W4487	(4)	0R8787	7W4487	(4)
130-5187	7W4487	(4)	0R8788	7W4487	(4)
130-5190	7W4487	(4)	0R8789	7W4487	(4)
131-0811	7W4487	(4)	0R8790	7W4487	(4)
131-0812	7W4487	(4)	0R8242	7W4487	(4)
131-1242	7W4487	(4)	0R8243	7W4487	(4)
131-1243	7W4487	(4)	0R1741	7W4485	(1)
131-3190	7W4486		0R1745	4W6060	(1)
131-7937	7W4487	(4)	0R1742	4W6060	(1)
133-3896	7W4483	(4)	0R1741	7W4485	(1)

Injector Assembly	Compression Washer	VOP	Injector Assembly	Compression Washer	VOP
134-0944	7W4487	(4)	0R1743	7W4485	(1)
154-3198	7W4486	(5)	0R3420	7W4485	(1)
167-7489	7W4482	(2)	0R1744	7W4487	(1)
170-5181	7W4482	(2)	0R1745	7W4482	(1)
170-5183	7W5182	(2)	0R3536	7W4482	(1)
170-5187	7W4486	(1)	0R8791	7W4482	(1)
171-4093	7W4487	(2)	0R9797	7W4482	(1)
4W7011	7W4485	(1)	0R1749	7W4482	(1)
4W7012	4W6060	(1)	0R3093	7W4485	(1)
4W7013	4W6060	(1)	0R1746	7W4487	(1)
4W7014	4W6060	(1)	0R8784	7W4487	(1)
4W7015	4W6060	(1)	0R8785	7W4487	(1)
4W7016	7W4485	(1)	0R1747	7W4487	(1)
4W7016	7W4485	(1)	0R1748	7W4487	(1)
4W7016	7W4485	(1)	0R4124	7W4482	(1)
4W7017	7W4487	(1)	0R3586	7W4487	(2)
4W7018	7W4482	(1)	0R3587	7W4487	(2)
4W7019	7W4482	(1)	0R3588	7W4487	(2)
4W7020	7W4482	(1)	0R3589	7W4487	(2)
4W7021	7W4482	(1)	0R3590	7W4487	(2)
4W7022	7W4482	(1)	0R3591	7W4482	(2)
7W7023	7W8119	(1)	0R1740	8N4183	(1)
7W7024	7W4485	(1)	0R1739	8N4183	(1)
7W7026	7W4487	(1)	0R1739	7W4486	(1)
7W7030	7W4487	(1)	0R3419	4W3914	(1)
7W7031	7W4487	(1)	0R1740	7W4486	(1)
7W7032	7W4487	(1)	0R1744	8N4183	(1)
7W7033	7W4487	(1)	0R1744	7W4487	(1)
131-0812	7W4487	(4)	0R8242	7W4487	(4)
131-1242	7W4487	(4)	0R8243	7W4487	(4)
131-1243	7W4487	(4)	0R1741	7W4485	(1)
131-3190	7W4486	(4)	0R1745	4W6060	(1)
131-7937	7W4487	(4)	0R1742	4W6060	(1)
133-3896	7W4483	(4)	0R1741	7W4485	(1)
134-0944	7W4487	(4)	0R1743	7W4485	(1)
154-3198	7W4486	(5)	0R3420	7W4485	(1)
167-7489	7W4482	(2)	0R1744	7W4487	(1)
170-5181	7W4482	(2)	0R1745	7W4482	(1)
170-5183	7W5182	(2)	0R3536	7W4482	(1)
170-5187	7W4486	(1)	0R8791	7W4482	(1)
171-4093	7W4487	(2)	0R9797	7W4482	(1)
4W7011	7W4485	(1)	0R1749	7W4482	(1)
4W7012	4W6060	(1)	0R3093	7W4485	(1)
4W7013	4W6060	(1)	0R1746	7W4487	(1)
4W7014	4W6060	(1)	0R8784	7W4487	(1)
4W7015	4W6060	(1)	0R8785	7W4487	(1)
4W7016	7W4485	(1)	0R1747	7W4487	(1)
4W7016	7W4485	(1)	0R1748	7W4487	(1)

NEW SCROLL FUEL PUMPS

7000 Series Injectors

DIPACO
DIESEL
PARTS

U S A

Injector Assembly	Compression Washer	VOP	Injector Assembly	Compression Washer	VOP
4W7016	7W4485	(1)	0R4124	7W4482	(1)
4W7017	7W4487	(1)	0R3586	7W4487	(2)
4W7018	7W4482	(1)	0R3587	7W4487	(2)
4W7019	7W4482	(1)	0R3588	7W4487	(2)
4W7020	7W4482	(1)	0R3589	7W4487	(2)
4W7021	7W4482	(1)	0R3590	7W4487	(2)
4W7022	7W4482	(1)	0R3591	7W4482	(2)
7W7023	7W8119	(1)	0R1740	8N4183	(1)
7W7024	7W4485	(1)	0R1739	8N4183	(1)
7W7026	7W4487	(1)	0R1739	7W4486	(1)
7W7030	7W4487	(1)	0R3419	4W3914	(1)
7W7031	7W4487	(1)	0R1740	7W4486	(1)
7W7032	7W4487	(1)	0R1744	8N4183	(1)
7W7033	7W4487	(1)	0R1744	7W4487	(1)

NEW SCROLL FUEL PUMPS
7000 Series Injectors

REF	PART	DESCRIPTION	QTY
		The injector minor repair kits listed below contain the parts necessary to repair six 7000 Series Injectors. The difference in the kits is the compression washer.	
	DPE73306	INJECTOR REPAIR KIT	
-	DPE7001	O-RING, INLET ADAPTER	6
-	DPE7002	O-RING, STEM	6
-	114-3364	WASHER	6
-	1H1023	O-RING	6
-	9L9098	CARBON DAM	6
-	7W4486	COMPRESSION WASHER	6
-	9X2836	BLEED SCREW	6
	DPE73306A	INJECTOR REPAIR KIT	
-	DPE7001	O-RING, INLET ADAPTER	6
-	DPE7002	O-RING, STEM	6
-	114-3364	WASHER	6
-	1H1023	O-RING	6
-	9L9098	CARBON DAM	6
-	7W4485	COMPRESSION WASHER	6
-	9X2836	BLEED SCREW	6
	DPE73306B	INJECTOR REPAIR KIT	
-	DPE7001	O-RING, INLET ADAPTER	6
-	DPE7002	O-RING, STEM	6
-	114-3364	WASHER	6
-	1H1023	O-RING	6
-	9L9098	CARBON DAM	6
-	7W4482	COMPRESSION WASHER	6
-	9X2836	BLEED SCREW	6

DIPACO

An Employee Owned Company

12693 Old Virginia Road, Reno, NV 89521 USA
Telephone: 775.329.7511 ■ Fax: 775.329.9740
www.dipacodtech.com