

DIPACO

CATERPILLAR SLEEVE METERING
3208 / 3300 / 3304 / 3306
PARTS CATALOG

April 2010
Updated April 2020

An Employee Owned Company

ADDRESS

DIPACO, Inc.

105 East Parr Boulevard

Reno, Nevada 89512 USA

Phone: (775) 329-7511

Fax: (775) 329-9740

Toll Free Phone: (800) 648-4720

Toll Free Fax: (888) 320-7761

E-Mail: sales@dipaco.com

Internet: www.dipaco.com | www.dtechproducts.com

WHAT WE OFFER

- Providing quality fuel injection parts since 1948
- Comprehensive warranty
- Competitive pricing
- Excellence in customer service
- Company representation before and after sales
- Multi-skilled staff
- Extended trading hours
- Toll free phone and fax ordering
- Full technical support
- Quality commitment
- Superior quality inventory
- Same day shipping

INFORMATION

Copyright

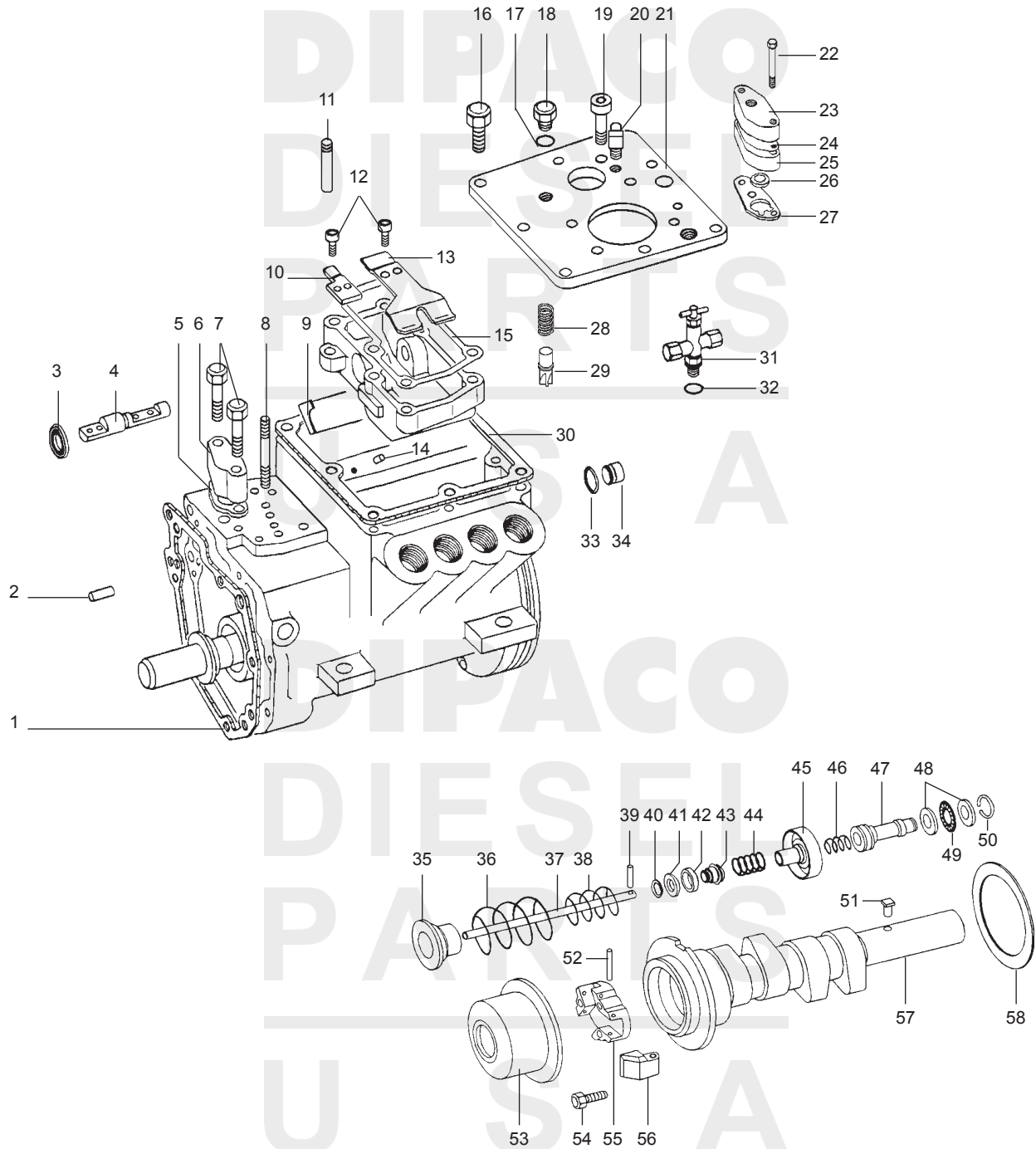
DIPACO, Inc. 2010. No part of this publication may be reproduced in any form by any means without written permission.

This catalog is in digital format to allow for continuous updating as we add additional parts. For current part availability, please consult our current price list or contact **DIPACO** or your **DIPACO** distributor.

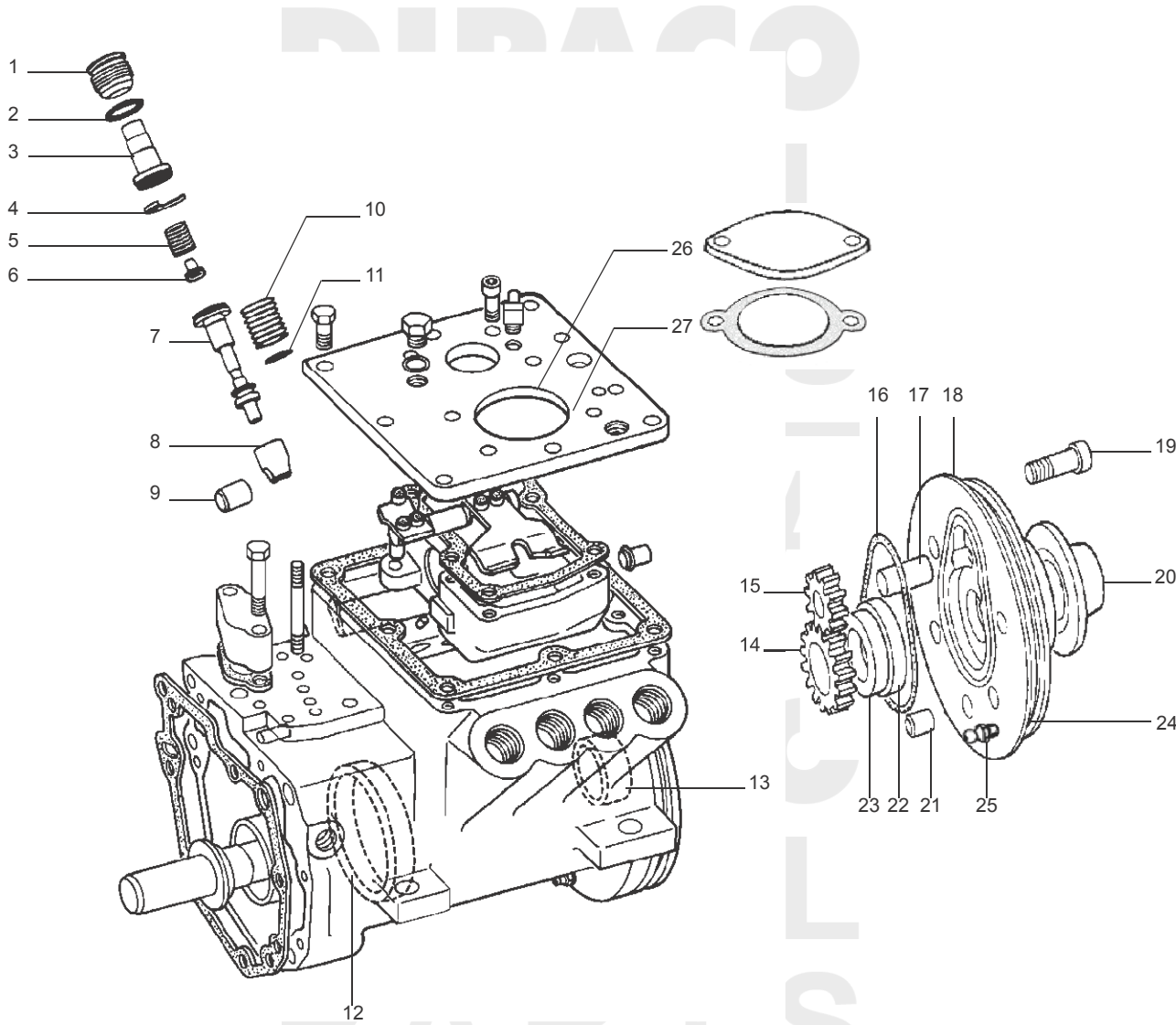
This catalog is for reference purposes only. **DIPACO** assumes no responsibility or liability for any errors or inaccuracies that may appear in this publication. All mention of OEM names and part numbers are for reference only.

SUBJECT	PAGE
3208 Fuel Pump	Section 1
Camshaft	1-1
Plunger And Barrel	1-3
Governor	1-5
3304 / 3306 Fuel Pump	Section 2
Camshaft	2-1
Plunger And Barrel	2-3
Governor	2-5
Air Fuel Ratio	Section 3
All Pumps	3-1
Primer Pump / Torque Control / Solenoid	Section 4
All Pumps	4-1
Pump Mounting Parts.....	4-3
Gasket Kits And Miscellaneous Kits	Section 5
All Pumps	5-1
3300 Nozzles / 3208 Pencil Nozzle / 7000 Series Injectors	Section 6
3300 Nozzles.....	6-1
3208 Pencil Nozzle & 7000 Series Injectors	6-2

3208 SLEEVE METERING FUEL PUMP Pump Body - Camshaft



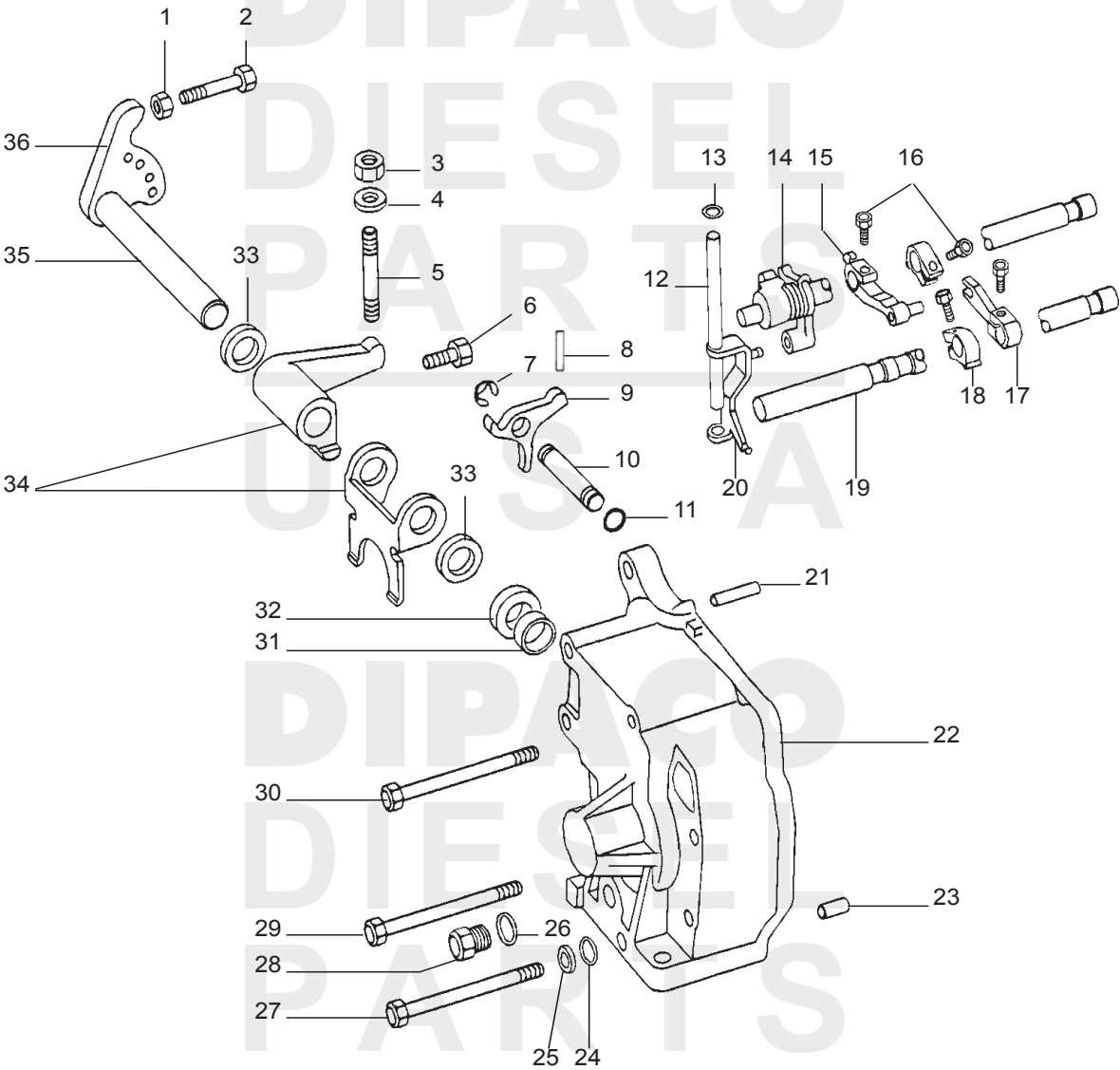
3208 SLEEVE METERING FUEL PUMP Plunger And Barrel - Front Cover



3208 SLEEVE METERING FUEL PUMP Plunger And Barrel - Front Cover

REF	PART	DESCRIPTION	QTY	REF	PART	DESCRIPTION	QTY
1	7W8120	RETAINER	8				
2	6F6672	O RING	8				
3	7W8039	BONNET (LOW VOLUME)	8				
-	7C9966	SPHERICAL INSERT	1				
3	4N0209	BONNET (HAT-CHECK VALVE)	8				
3	8N1417	BONNET (RFC & ORFC CHECK VALVES)	8				
4	4N0224	CLIP	8				
5	9L9424	SPRING (HAT-CHECK VALVE)	8				
5	8N1415	SPRING (RFC & ORFC CHECK VALVES)	8				
6	9B1320	CHECK VALVE (HAT-SMOOTH)	8				
6	7N5148	CHECK VALVE (HAT-SCRATCHED)	8				
6	8N1414	CHECK VALVE (RFC)	8				
6	1W6987	CHECK VALVE (ORFC)	8				
7	6N7527	P & B 8.0 MM (NA)	8				
7	1W3010	P & B 8.5 MM (TURBO)	8				
7	142-2818	P & B 9.0 MM	8				
8	8N1317	LIFTER (NA-1 CAMSHAFT)	8				
8	6N6794	LIFTER (NA-2/3/4 CAMSHAFT)	8				
8	9N5817	LIFTER (TURBO)	8				
9	4N2685	ROLLER (NA)	8				
9	9N5827	ROLLER (TURBO)	8				
10	9N5862	SPRING	8				
11	4N2728	RETAINER	8				
12	8N0628	REAR CAMSHAFT BUSHING	1				
13	7W6335	FRONT CAMSHAFT BUSHING	1				
14	4N0429	DRIVE GEAR	1				
15	4N0406	IDLER GEAR	1				
16	5M6509	O RING	1				
17	8H9804	SHAFT	1				
18	4N1132	TRANSFER HOUSING	1				
19	9F6641	BOLT	4				
20	4N2954	HUB	1				
21	8S6814	DOWEL	1				
22	4N1584	SEAL	1				
23	4N0636	SEAL	1				
24	9M9729	MOUNTING O RING	1				
25	1P4001	OUTLET FITTING	1				
26	9S9332	ELBOW	1				
27	3L5987	COVER	1				
28	6L5773	GASKET	1				
		NOTE: SEE PRODUCT BULLETIN FI-38 FOR LIFTER APPLICATION INFORMATION.					

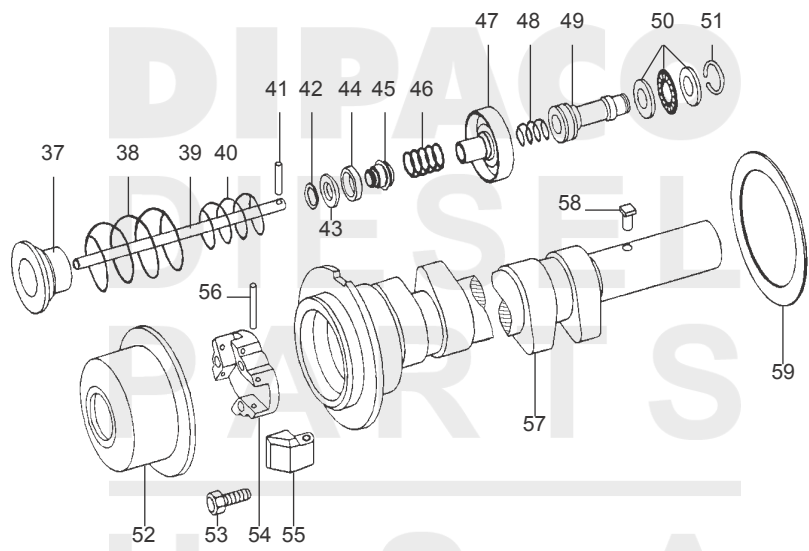
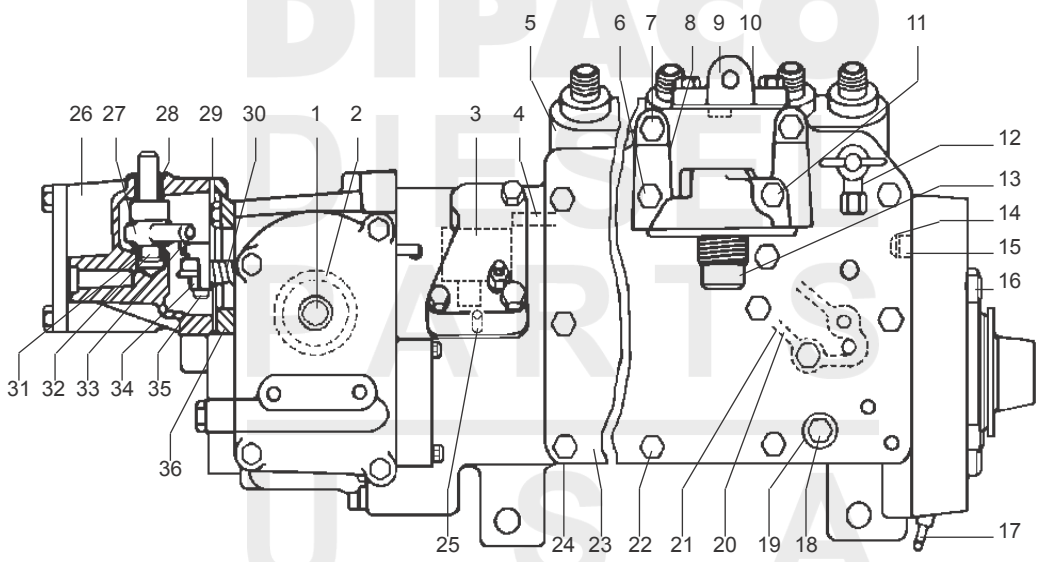
3208 SLEEVE METERING FUEL PUMP Governor Assembly



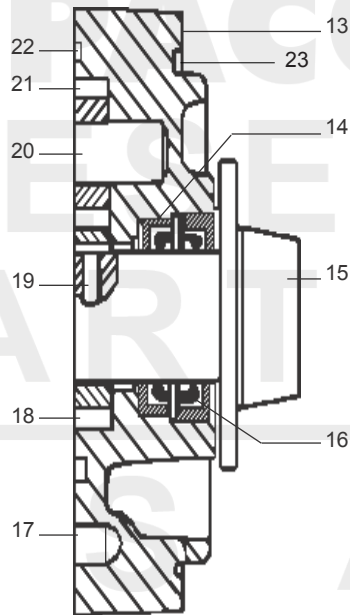
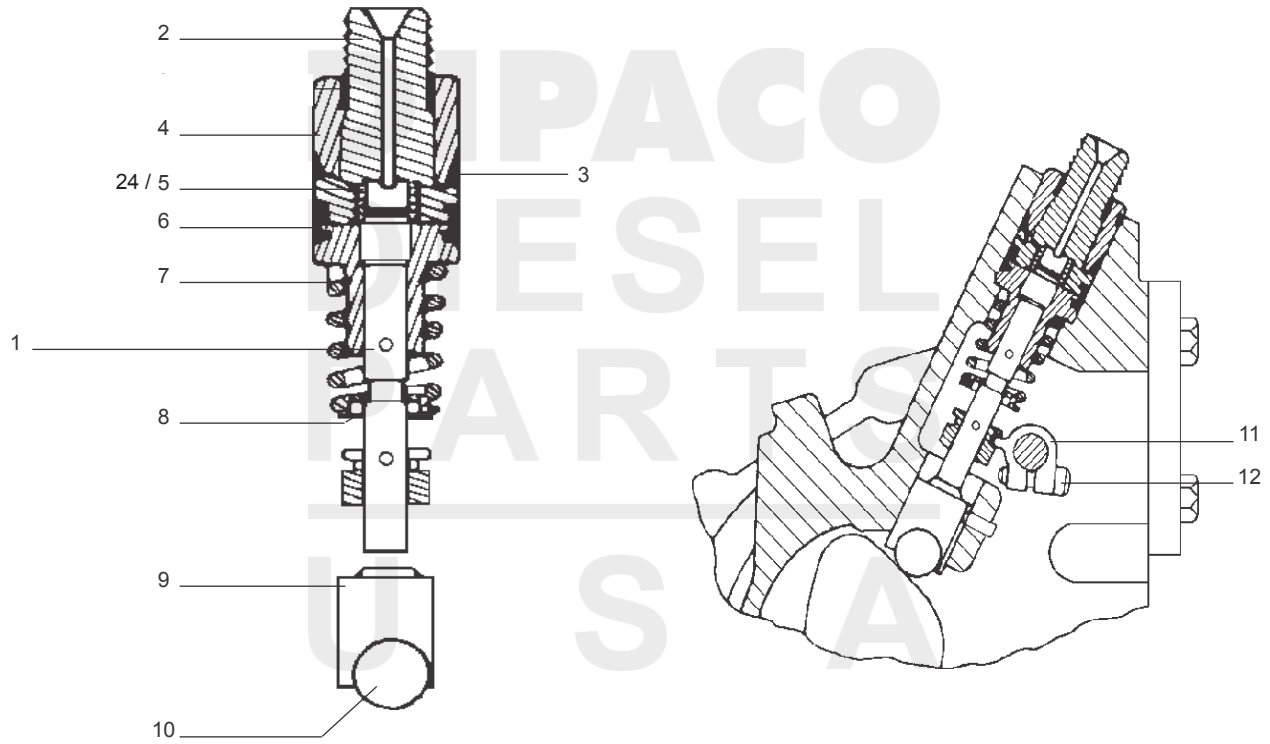
3208 SLEEVE METERING FUEL PUMP Governor Assembly

REF	PART	DESCRIPTION	QTY	REF	PART	DESCRIPTION	QTY
1	1D4716	NUT	1				
2	4N2708	BOLT	1				
3	9M1311	NUT	1				
4	6L3921	WASHER	1				
5	6N4176	SETSCREW	1				
6	031-0214	BOLT	A/R				
7	2M7819	RETAINER CLIP	1				
8	4N0443	PIN-LOAD STOP	1				
9	4N0445	LEVER	1				
10	4N0523	DOWEL	1				
11	2D6392	O RING	1				
12	4N0528	SHAFT	1				
13	3H0442	O RING	1				
14	4N9828	CONTROL SHAFT ASSEMBLY	1				
15	4N3922	CROSSOVER LEVER CONTROL	1				
16	2N2658	SCREW	10				
17	4N0563	CROSSOVER LEVER	1				
18	9N5820	P&B CONTROL LEVER	8				
19	124-5941	CONTROL SHAFT	2				
20	128-7347	RISER LEVER	1				
21	4N2333	DOWEL	1				
22	8N3946	GOVERNOR HOUSING	1				
-	9Y4966	CHECK VALVE	1				
23	8S6814	DOWEL	2				
24	2D6392	O RING	1				
25	6N7523	WASHER	1				
26	3J7354	O RING	1				
27	1D4533	BOLT	3				
28	9S4182	PLUG	1				
29	8F8178	BOLT	1				
30	2A4781	BOLT	3				
31	8N3945	BUSHING	2				
32	2W4037	SEAL	1				
33	4N3329	WASHER	2				
34	7C6202	LEVER	1				
-	7C6201	LEVER SEAT	1				
35	4N2773B	THROTTLE SHAFT (*SEE NOTE)	1				
36	4N2773	THROTTLE SHAFT ASSEMBLY	1				
	* NOTE:	THROTTLE SHAFT A WORN SHAFT CAN BE PRESSED OUT OF THE PLATE AND A NEW DIPACO SHAFT PRESSED IN. ORDER PART NUMBER D4N2773B.					

3304/3306 SLEEVE METERING FUEL PUMP Pump Body - Camshaft



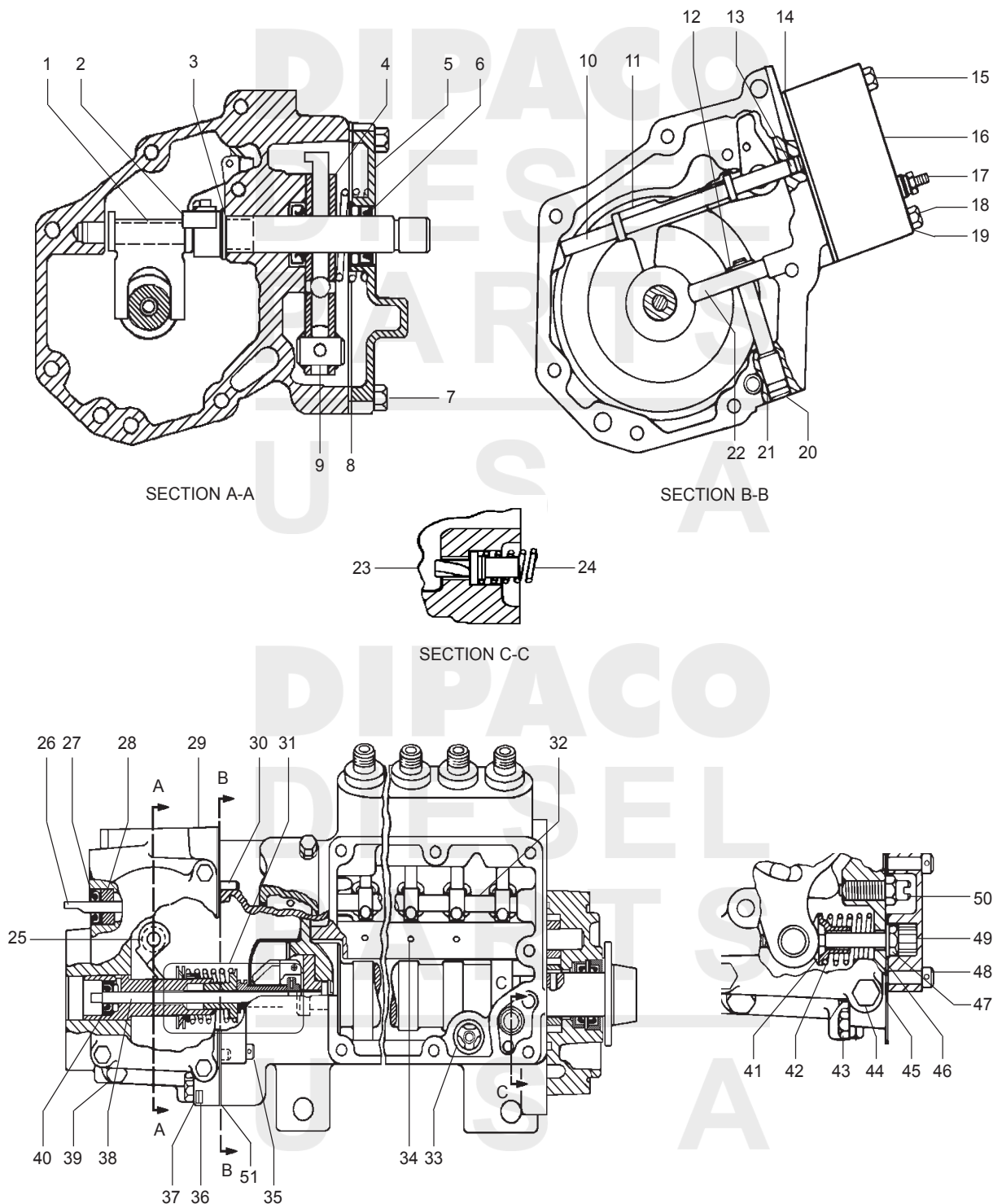
3304/3306 SLEEVE METERING FUEL PUMP Plunger And Barrel - Front Cover



3304/3306 SLEEVE METERING FUEL PUMP Plunger And Barrel - Front Cover

REF	PART	DESCRIPTION	QTY	REF	PART	DESCRIPTION	QTY
1	6N7527	PLUNGER & BARREL 8.0 MM (NA)	4/6				
1	1W3010	PLUNGER & BARREL 8.5 MM (TURBO)	4/6				
2	4N0209	BONNET	4/6				
3	6F6672	O RING	4/6				
4	7W8120	RETAINER	4/6				
5	9B1320	CHECK VALVE	4/6				
6	4N0224	CLIP	4/6				
7	9N5862	SPRING	4/6				
8	4N2728	RETAINER	4/6				
9	8N1317	LIFTER	4/6				
10	4N2685	ROLLER	4/6				
11	9N5820	P & B CONTROL LEVER	4/6				
12	2N2658	SCREW	4/6				
13	9L6863	BODY ASSEMBLY - FRONT COVER	1				
14	4N0636	SEAL	1				
15	4N2954	SLEEVE	1				
16	4N1584	SEAL	1				
17	8S6814	DOWEL	1				
18	4N0429	GEAR (15 TEETH)	1				
19	4N3779	KEY	1				
20	8H9804	SHAFT	1				
21	4N0406	GEAR (10 TEETH)	1				
22	5M6509	O RING	1				
23	2H3934	PUMP MOUNTING O-RING	1				
24	9L9424	CHECK VALVE SPRING	1				
<p>NOTE: SEE PRODUCT BULLETIN FI-38 FOR LIFTER APPLICATION INFORMATION</p>							

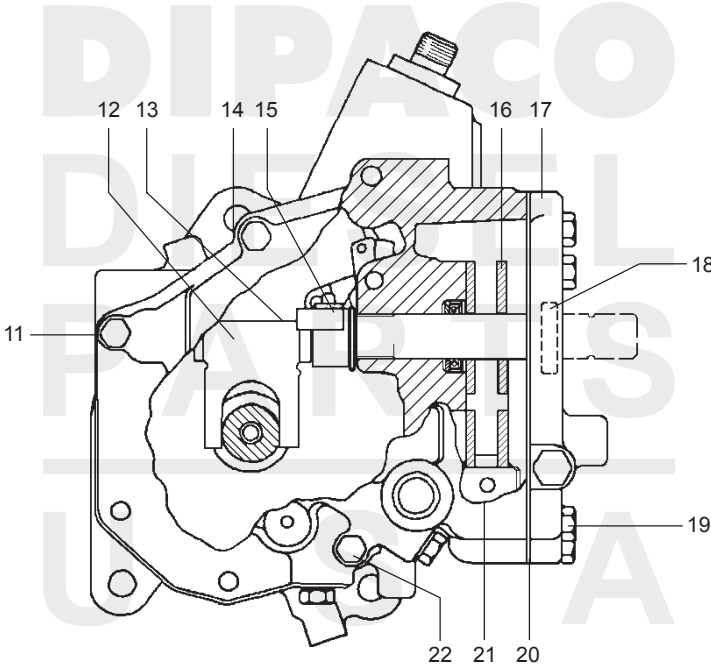
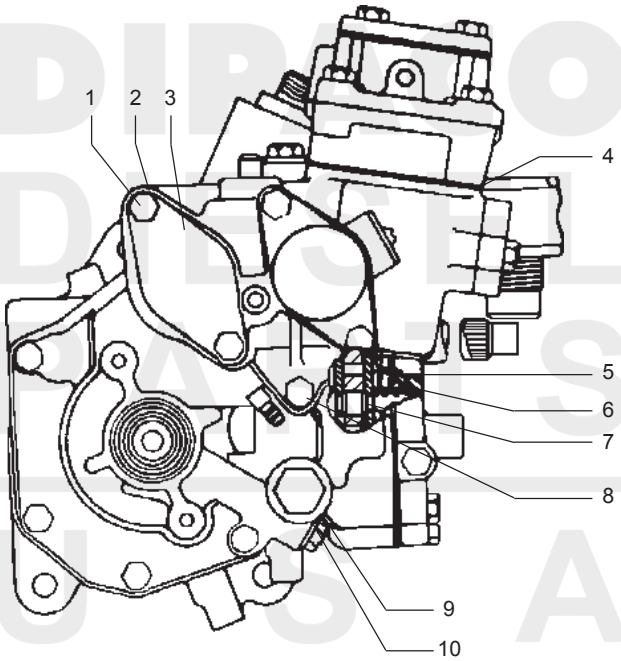
3304/3306 SLEEVE METERING FUEL PUMP Governor



3304/3306 SLEEVE METERING FUEL PUMP Governor

REF	PART	DESCRIPTION	QTY	REF	PART	DESCRIPTION	QTY
1	4N1881	LEVER	1	45	4N0594	GASKET	1
2	9L8571	DOWEL	1	46	6N7523	WASHER	1
3	8F5368	WASHER	1	47	1P9925	BOLT 6.35 CM (2.50 IN) LONG	1
4	6N5482	PLATE	2	47	2A4781	BOLT 6.99 CM (2.75 IN) LONG	1
5	4N0687	COVER ASSEMBLY	1	47	3B8695	BOLT 8.89 CM (3.50 IN) LONG	1
6	2W4037	SEAL	1	48	1P2497	BOLT	1
7	0S1616	BOLT	4	49	4N5578	COVER	1
8	4N0402	GASKET	1	-	4N0049	GASKET	1
9	9S8601	PIN	1	50	4N0054	SCREW	1
10	4N0528	SHAFT	1	-	5B3180	NUT	1
11	128-7347	SHAFT ASSEMBLY	1	51	4N0594	GASKET	1
12	2M7819	RING	1				
13	3H0442	SEAL	1				
14	4N0508	GASKET	1				
15	2M5471	BOLT	2				
16	134-3857	COVER ASSEMBLY	1				
17	6N0412	MACHINE SCREW	1				
-	4B2042	NUT	1				
-	3B4501	LOCKWASHER	1				
-	1P7326	WASHER 1.52MM (.060 IN) THICK	1				
-	8F1326	WASHER .813MM (.032 IN) THICK	1				
18	2P3200	BOLT	1				
19	1J9671	SEAL	1				
20	4N0523	DOWEL	1				
21	2D6392	SEAL	1				
22	4N0445	LEVER	1				
23	4N1767	VALVE	1				
24	4N0605	SPRING	1				
25	2W4037	SEAL	1				
26	4N0927	SHAFT ASSEMBLY	1				
27	4N0260	SEAL	2				
28	6N2578	BEARING	1				
29	4N6547	HOUSING ASSEMBLY	1				
30	4N2333	DOWEL (4M0058)	1				
31	-	DASHPOT ASSEMBLY (SEE CAMSHAFT VIEW PAGE 2-1)					
32	4N0572	SHAFT ASSEMBLY	1				
33	7E5346	VALVE ASSEMBLY	1				
34	8N0984	PIN	6				
35	8S6814	DOWEL	2				
36	9S4180	PLUG	1				
37	4J7533	SEAL	1				
38	4N9018	SHAFT	1				
39	5M6214	PLUG	1				
40	4N0260	SEAL	1				
41	4N0116	GUIDE	1				
42	9S8632	SPRING	1				
43	1P9925	BOLT 6.35 CM (2.50 IN) LONG	1				
43	2A4781	BOLT 6.99 CM (2.75 IN) LONG	1				
43	3B8695	BOLT 8.89 CM (3.50 IN) LONG	1				
44	1P9925	BOLT 6.35 CM (2.50 IN) LONG	1				
44	2A4781	BOLT 6.99 CM (2.75 IN) LONG	1				
44	3B8695	BOLT 8.89 CM (3.50 IN) LONG	1				

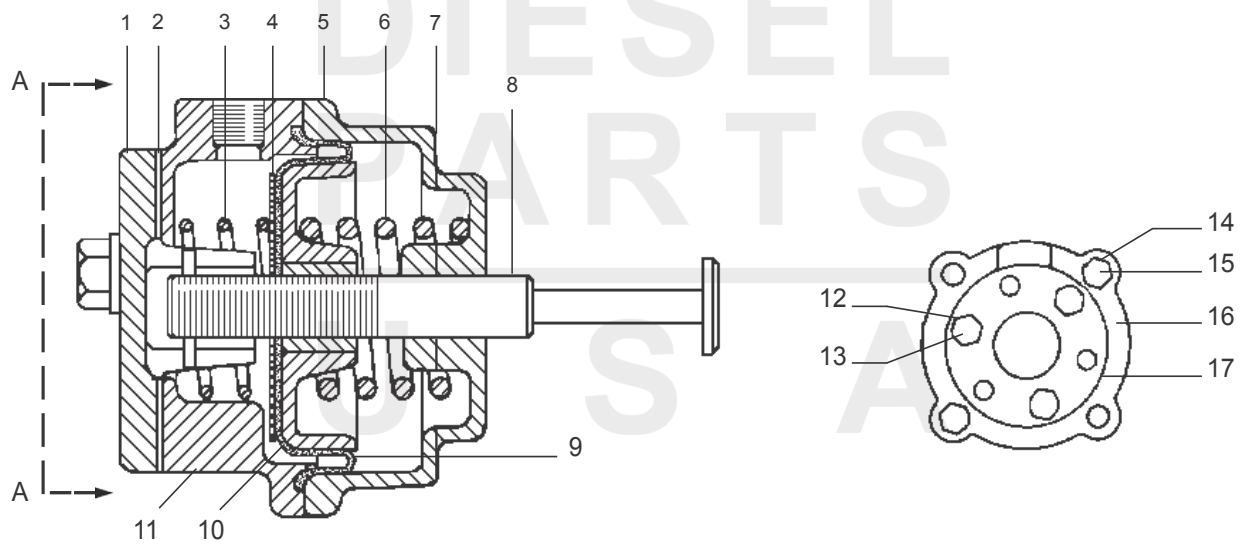
3304/3306 SLEEVE METERING FUEL PUMP Governor



3304/3306 SLEEVE METERING FUEL PUMP Governor

REF	PART	DESCRIPTION	QTY	REF	PART	DESCRIPTION	QTY
1	2A0762	BOLT	4				
2	4N0117	GASKET	2				
3	4N8507	COVER	2				
4	6L5773	GASKET	1				
5	4N0444	SPACER (THROTTLE SHAFT)	1				
6	4N4366	SPRING (DETENT)	1				
7	4N8179	PIN (DETENT)	1				
8	4L3776	BOLT	1				
9	9S4191	PLUG	1				
10	3J1907	SEAL	1				
11	1P9925	BOLT 6.35 CM (2.5 IN.) LONG	1				
12	4N1881	LEVER	1				
13	9L5871	DOWEL	1				
14	2A4781	BOLT 6.99 CM (2.75 IN.) LONG	1				
15	8F5368	WASHER	1				
16	6N5482	PLATE	2				
17	4N0687	COVER ASSEMBLY	1				
18	2W4037	SEAL	1				
19	0S1616	BOLT	4				
20	4N0402	GASKET	1				
21	9S8601	PIN	1				
22	3B8695	BOLT 8.89 CM (3.50 IN.) LONG	1				

SLEEVE METERING FUEL PUMPS Air Fuel Ratio

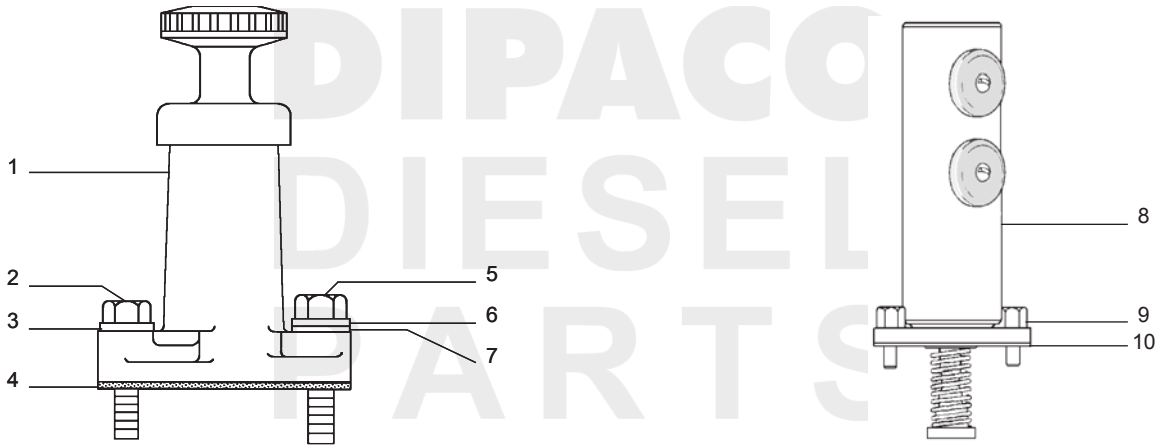


SLEEVE METERING FUEL PUMPS Air Fuel Ratio

REF	PART	DESCRIPTION	QTY	REF	PART	DESCRIPTION	QTY
1	6L5764	COVER	1				
2	6L5766	GASKET	1				
3	6N1606	SPRING	1				
4	6L5769	WASHER	1				
5	6N1603	HOUSING ASSEMBLY	1				
6	6N0968	SPRING	1				
7	6L5773	GASKET	1				
8	9N0866	BOLT	1				
9	4S7458	DIAPHRAGM	1				
10	5S6120	RETAINER ASSEMBLY	1				
11	6L5767	COVER	1				
12	6N7523	WASHER	3				
13	2N5919	BOLT	3				
14	6N7523	WASHER	2				
15	4F7957	BOLT	2				
16	5S6120	RETAINER ASSEMBLY	1				
17	6L5767	COVER	1				

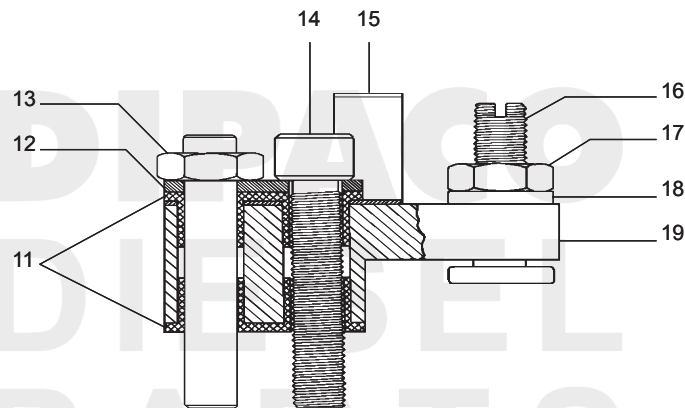
SLEEVE METERING FUEL PUMPS

Primer Pump / Torque Control / Solenoid



PRIMER PUMP

SOLENOID ASSEMBLY

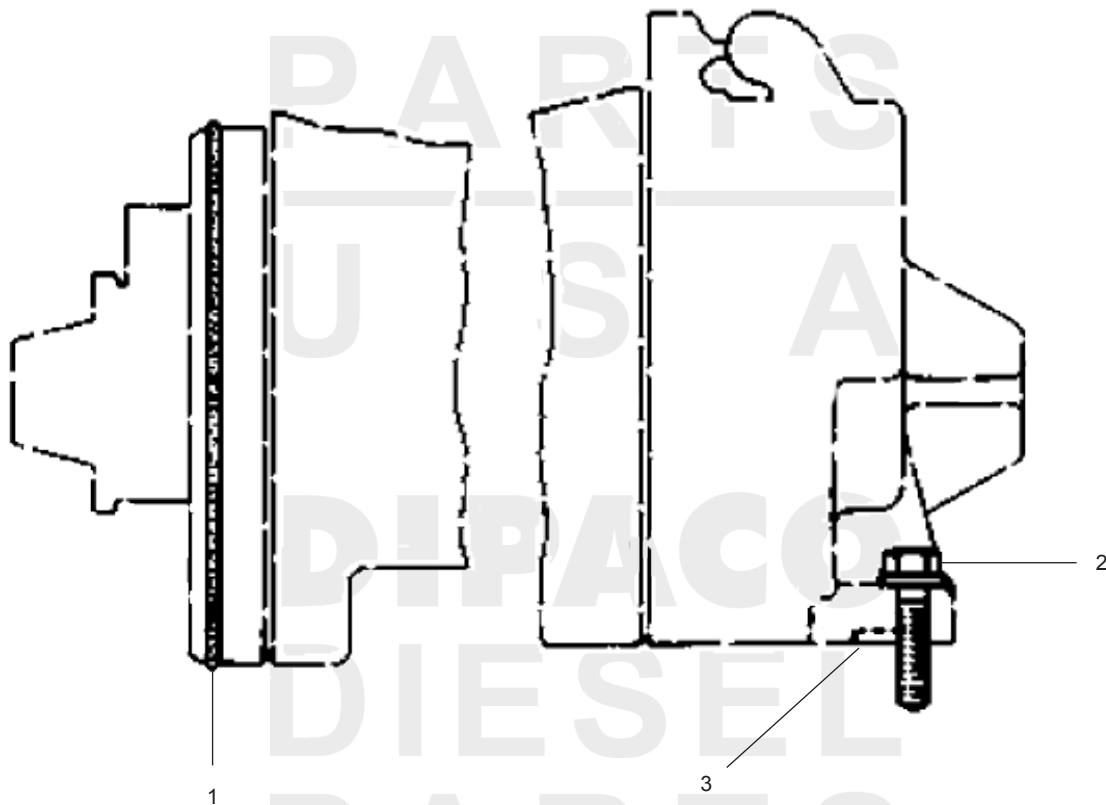


TORQUE CONTROL

SLEEVE METERING FUEL PUMPS Primer Pump - Torque Control - Solenoid

REF	PART	DESCRIPTION	QTY	REF	PART	DESCRIPTION	QTY
1	4W0788	PRIMER PUMP PUMP ASSEMBLY 3208, 3300 SERIES	1				
2	9F7022	BOLT	1				
3	9M1974	WASHER	1				
4	1P0436	GASKET	1				
5	1H5514	BOLT	1				
6	9M1974	WASHER	1				
7	5P0537	WASHER	1				
		SOLENOID ASSEMBLY					
8	6N9988	12V ETR 3208 SOLENOID ASSEMBLY	1				
8	6N9987	24V ETR 3208 SOLENOID ASSEMBLY	1				
8	6N3748	12V ESO 3300 SOLENOID ASSEMBLY	1				
8	6N7035	24V ESO 3300 SOLENOID ASSEMBLY	1				
9	4F7957	BOLT	2				
10	4N0117	GASKET	1				
		MISCELLANEOUS SOLENOID ASSEMBLIES					
-	3T5445	12V SOLENOID (3208 HYDRAULIC FUEL RATIO & 3160 SHUTOFF)	1				
-	4N7154	24V SOLENOID (3208 EGR VALVE & 3160 SHUTOFF)	1				
		TORQUE CONTROL					
11	1P6452	INSULATOR	2				
12	8M9064	SHIM	1				
13	4L6458	NUT	1				
14	4L7124	BOLT	1				
15	4N3882	CONTACT	1				
16	4N3881	SCREW	1				
17	9M1311	NUT	1				
18	4N3884	WASHER	1				
19	4N3883	BAR	1				

SLEEVE METERING FUEL PUMPS Pump Mounting Parts



SLEEVE METERING FUEL PUMPS Pump Mounting Parts

REF	PART	DESCRIPTION	QTY	REF	PART	DESCRIPTION	QTY
1	9M9729	O-RING	1				
2	9L6925	FASTENER KIT	-				
-	7F5634	CAPSCREW	1				
-	1A9579	BOLT	1				
-	125-1414	SPACER	2				
3	8M5260	O-RING	1				
3	8M8157	O-RING	1				

SLEEVE METERING FUEL PUMPS

Gasket Kits

PART NUMBER	DESCRIPTION	APPLICATION
DPE3208	GASKET KIT.....	3208
DPE3208A.....	OVERHAUL GASKET KIT.....	3208
DPE3208OH.....	OVERHAUL GASKET KIT.....	3208
DPE3208OHS	SUPER OVERHAUL GASKET KIT.....	3208
DPE3208PM.....	PUMP MOUNT GASKET KIT	3208
DPE3300SL.....	SLEEVE METERING GASKET KIT.....	3300 SERIES
DPE3300SLOH	SLEEVE METERING OVERHAUL GASKET KIT.....	3300 SERIES
DPE3300SLOHS	SLEEVE METERING SUPER OVERHAUL GASKET KIT.....	3300 SERIES
DPE3300SLPM	SLEEVE METERING PUMP MOUNT GASKET KIT	3300 SERIES

DIPACO has developed special gasket kits and overhaul gasket kits for Caterpillar fuel pumps. These kits are designed to contain all of the gaskets, seals, o-rings, and other items you need to work on any fuel pump within the applicable series. These kits eliminate the need for a fuel shop to stock numerous different versions of gasket kits for one fuel pump series, saving the fuel shop time and money. Kit contents can be found on the following pages.

U S A

DIPACO
DIESEL
PARTS

U S A

SLEEVE METERING FUEL PUMPS

Gasket Kits

REF	PART	DESCRIPTION	QTY	REF	PART	DESCRIPTION	QTY
	DPE3208OHS	SUPER OVERHAUL GASKET KIT FOR 3208 NA & TURBO (CONTINUED)			DPE3300SL	SLEEVE METERING OVERHAUL GASKET KIT FOR 3304 / 3306	
-	D9N2435	GASKET	2	-	D9F5940	GASKET	1
-	D8N0628	CAMSHAFT BEARING	1	-	D7H9899	SEAL RING	1
-	D8M8157	O-RING	2	-	D7F8607	O-RING	1
-	D8M5260	O-RING	1	-	D6N2843	GASKET	1
-	D7W6335	CAMSHAFT BUSHING	1	-	D6L5773	GASKET	1
-	D7E5346	VALVE	1	-	D6L5766	GASKET	1
-	D6N1716	VALVE	1	-	D6H9691	O-RING	1
-	D6L5773	GASKET	1	-	D6F6672	O-RING	12
-	D6L5766	GASKET	1	-	D5M6509	O-RING	1
-	D6L3921	SEAL	1	-	D5F9144	O-RING	1
-	D6F6672	O-RING	8	-	D4N9337	GASKET	1
-	D5M6509	O-RING	1	-	D4N4509	GASKET	1
-	D4N3779	DRIVE GEAR KET	1	-	D4N4431	GASKET	1
-	D4N3713	SEAL	1	-	D4N1767	FUEL VALVE	1
-	D4N3088	GASKET	1	-	D4N1584	SEAL	1
-	D4N2954	DRIVE SLEEVE	1	-	D4N0636	SEAL	1
-	D4N2953	RISER BEARING RING	1	-	D4N0508	GASKET	1
-	D4N1767	FUEL VALVE	1	-	D4N0403	GASKET	2
-	D4N1723	GOVERNOR WEIGHT SHIELD	1	-	D4N0260	SEAL	2
-	D4N1584	SEAL	1	-	D4N0159	GASKET	1
-	D4N0975	GASKET	1	-	D4N0117	GASKET	2
-	D4N0636	SEAL	1	-	D4N0049	GASKET	1
-	D4N0605	FUEL VALVE SPRING	1	-	D4M8303	O-RING	1
-	D4N0595	GASKET	1	-	D4J7533	O-RING	2
-	D4N0556	GASKET	1	-	D3N2813	SEAL	1
-	D4N0532	GASKET	1	-	D3J1907	SEAL	4
-	D4N0508	GASKET	1	-	D3H0442	O-RING	1
-	D4N0505	GASKET	1	-	D3D4004	QUAD RING	1
-	D4J7533	O-RING	1	-	D2W4037	SEAL	2
-	D3J7354	O-RING	3	-	D2M9780	O-RING	1
-	D3J1907	SEAL	1	-	D2D6392	O-RING	3
-	D3H0442	O-RING	1	-	D1P0436	GASKET	1
-	D2W4037	SEAL	1	-	D1J9671	O-RING	2
-	D2W1706	GASKET	1	-	D117-0287	GASKET	1
-	D2D6392	O-RING	5	-	D4N9057	GASKET	1
-	D1S9799	SEAL O-RING	1	-	D4N9056	GASKET	1
-	D1P0436	GASKET	1	-	D4N1553	GASKET	1
-	D1J9671	O-RING	7	-	D4N1551	GASKET	1
	DPE3208PM	PUMP MOUNTING GASKET KIT FOR NA & TURBO			DPE3300SLOH	SLEEVE METERING OVERHAUL GASKET KIT FOR 3304 / 3306	
-	D9N2064	HOSE ASSEMBLY		-	D4N0594	GASKET	1
-		CUT 1-21"	1	-	D4N0402	GASKET	1
-		CUT 1-23"	1	-	D2W1626	GASKET	1
-		CUT 1.27"	1		DPE3300SLOH	SLEEVE METERING OVERHAUL GASKET KIT FOR 3304 / 3306	
-	D9M9729	O-RING	1	-	DPE3300SLPM	SLEEVE METERING MOUNT KIT	1
-	D9L7630	GASKET	2	-	D9F5940	GASKET	1
-	D8M8157	O-RING	1	-	D7W6335	CAMSHAFT BUSHING	1
-	D8M5661	O-RING	1	-	D7H9899	SEAL RING	1
-	D8M5260	O-RING	1	-	D7F8607	O-RING	1
-	D5P0547	TACH DRIVE SEAL	1	-	D7E5346	VALVE	1
-	D4N0532	GASKET	1	-	D6N2843	GASKET	1
				-	D6L5773	GASKET	1

SLEEVE METERING FUEL PUMPS Gasket Kits

REF	PART	DESCRIPTION	QTY	REF	PART	DESCRIPTION	QTY
	DPE3300SLOH	SLEEVE METERING OVERHAUL GASKET KIT FOR 3304 / 3306 (CONTINUED)			DPE3300SLOHS	SLEEVE METERING SUPER OVERHAUL GASKET KIT FOR 3304 / 3306 (CONTINUED)	
-	D6L5766	GASKET	1	-	D6N2843	GASKET	1
-	D6H9691	O-RING	1	-	D6L5773	GASKET	1
-	D6F6672	O-RING	12	-	D6L5766	GASKET	1
-	D6D0238	COCK VALVE	1	-	D6H9691	O-RING	1
-	D5M6509	O-RING	1	-	D6F6672	O-RING	12
-	D5F9144	O-RING	1	-	D6D0238	COCK VALVE	1
-	D4N9337	GASKET	1	-	D5M6509	O-RING	1
-	D4N9057	GASKET	1	-	D5F9144	O-RING	1
-	D4N9056	GASKET	1	-	D4N9337	GASKET	1
-	D4N4509	GASKET	1	-	D4N9057	GASKET	1
-	D4N4431	GASKET	1	-	D4N9056	GASKET	1
-	D4N3779	DRIVE GEAR KEY	1	-	D4N4509	GASKET	1
-	D4N2954	DRIVE SLEEVE	1	-	D4N4431	GASKET	1
-	D4N2953	RISER BEARING RING	1	-	D4N3779	DRIVE GEAR KEY	1
-	D4N1767	FUEL VALVE	1	-	D4N2954	DRIVE SLEEVE	1
-	D4N1584	SEAL	1	-	D4N2953	RISER BEARING RING	1
-	D4N1553	GASKET	1	-	D4N1767	FUEL VALVE	1
-	D4N1551	GASKET	1	-	D4N1723	GOVERNOR WEIGHT SHIELD	1
-	D4N0636	SEAL	1	-	D4N1584	SEAL	1
-	D4N0605	FUEL VALVE SPRING	1	-	D4N1553	GASKET	1
-	D4N0594	GASKET	1	-	D4N1551	GASKET	1
-	D4N0508	GASKET	1	-	D4N0636	SEAL	1
-	D4N0403	GASKET	2	-	D4N0605	FUEL VALVE SPRING	1
-	D4N0402	GASKET	1	-	D4N0594	GASKET	1
-	D4N0260	SEAL	2	-	D4N0508	GASKET	1
-	D4N0159	GASKET	1	-	D4N0403	GASKET	2
-	D4N0117	GASKET	2	-	D4N0402	GASKET	1
-	D4N0049	GASKET	1	-	D4N0260	SEAL	2
-	D4M8303	O-RING	1	-	D4N0159	GASKET	1
-	D4J7533	O-RING	2	-	D4N0117	GASKET	2
-	D3N2813	SEAL	1	-	D4N0049	GASKET	1
-	D3J1907	SEAL	4	-	D4M8303	O-RING	1
-	D3H0442	O-RING	1	-	D4J7533	O-RING	2
-	D3D4004	QUAD RING	1	-	D3N2813	SEAL	1
-	D2W4037	SEAL	2	-	D3J1907	SEAL	4
-	D2W1626	GASKET	1	-	D3H0442	O-RING	1
-	D2M9780	O-RING	1	-	D3D4004	QUAD RING	1
-	D2D6392	O-RING	3	-	D2W4037	SEAL	2
-	D1P0436	GASKET	1	-	D2W1626	GASKET	1
-	D1J9671	O-RING	2	-	D2M9780	O-RING	1
-	D117-0287	GASKET	1	-	D2D6392	O-RING	3
	DPE3300SLOHS	SLEEVE METERING SUPER OVERHAUL GASKET KIT FOR 3304 / 3306		-	D1P0436	GASKET	1
-	DPE3300SLPM	SLEEVE METERING MOUNT KIT	1	-	D1J9671	O-RING	2
-	DPE17219	BEARING ASSEMBLY	1	-	D117-0287	GASKET	1
-	D9F5940	GASKET	1		DPE3300SLPM	PUMP MOUNTING GASKET KIT FOR 3304 / 3306	
-	D8N0628	CAMSHAFT BEARING	1	-	DPE22220	HOSE	8 FT
-	D7W6335	CAMSHAFT BUSHING	1	-	D8M5253	O-RING	1
-	D7H9899	SEAL RING	1	-	D8M5248	O-RING	1
-	D7F8607	O-RING	1	-	D6N7887	TIMING GEAR GASKET	1
-	D7E5346	VALVE	1	-	D2H3934	O-RING	1

SLEEVE METERING FUEL PUMPS

Miscellaneous Kits

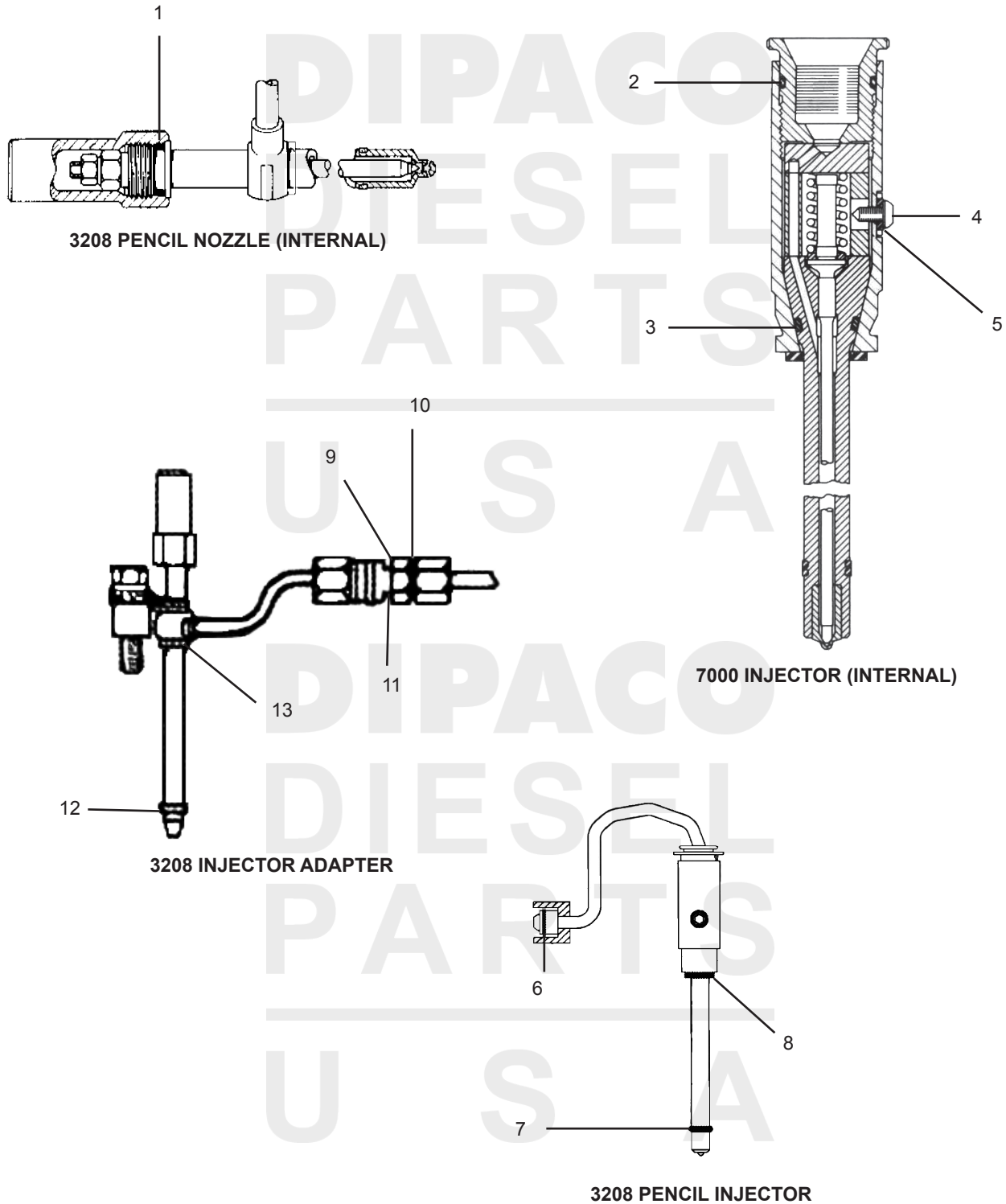
REF	PART	DESCRIPTION	QTY
	DPE17219	RISER BEARING & WASHER KIT	
-	D7M7219	RISER BEARING	1
-	D4N2927	RISER BEARING BRACE	2
	DPE32180	WEIGHT CARRIER & CAPSCREW KIT	
-	D8N2663	CARRIER	1
-	D8N2662	CAPSCREW	3
	DPE32185	GOVERNOR REPAIR KIT	
-	D4N0425	WEIGHT (3208 / 3304 / 3306)	3
-	D4N0511	FLYWEIGHT DOWEL	3
-	D8N2662	CAPSCREW	3
-	D8N2663	CARRIER	1
	D9L6925	PUMP MOUNTING FASTENER KIT FOR 3208	
-	D7F5634	CAPSCREW	1
-	D1A9579	BOLT	1
-	D125-1414	SPACER	2
	D6V9884A	TUNE-UP KIT FOR 3208	
-	D9L8837	GASKET	1
-	D9L8020	VALVE COVER GASKET FOR 3208	2
-	D9L7873	DIAPHRAGM	1
-	D6G4855	O-RING	8

SLEEVE METERING FUEL PUMPS 3300 Series Capsule Nozzles

REF	PART	DESCRIPTION	QTY
	8M1584	NOZZLE KIT	
-	5B3718	SEAL RING	1
-	6F1069	SEAL RING	1
-	8N4697	NOZZLE	
		THE FOLLOWING NOZZLES USE KIT 8M1584:	
		9F0160	
		9F2391	
		6H3347	
		5M2788	
		5M4086	
		8N4697	
		3S6280	
		3S6311	
	8N8796	NOZZLE KIT	
-	5B3718	SEAL RING	1
-	6F1069	SEAL RING	1
-	8N4694	NOZZLE	1
		THE FOLLOWING NOZZLES USE KIT 8N8796:	
		8N4694	
		7S8722	
		7S9891	

SLEEVE METERING FUEL PUMPS

3208 Pencil Nozzle & 7000 Series Injectors



SLEEVE METERING FUEL PUMPS 3208 Pencil Nozzle & 7000 Series Injectors

REF	PART	DESCRIPTION	QTY
1	1H1023	320 PENCIL NOZZLE (INTERNAL) O-RING	1
2	DPE7001	7000 INJECTOR (INTERNAL) O-RING (INLET ADAPTER)	1
3	DPE7002	O-RING (STEM)	1
4	9X2836	BLEED SCREW	1
5	114-3364	WASHER	1
3208 7000 INJECTOR MTG PARTS			
6	1H1023	O-RING	1
7	9L9089	CARBON DAM	1
8	7W4485	COMPRESSION WASHER	1
3208 INJECTOR ADAPTER			
9	9L7675	ADAPTER (PENCIL NOZZLE & 7000 SERIES INJECTOR)	1
10	6F4855	O-RING (PENCIL NOZZLE & 7000 SERIES INJECTOR)	1
3208 PENCIL NOZZLE MTG PARTS			
11	1H1023	O-RING	1
12	9L9098	CARBON DAM	1
13	9L9099	COMPRESSION WASHER (BLACK)	1
13	9N3738	COMPRESSION WASHER (YELLOW)	1
DPE73208 INJECTOR REPAIR KIT			
	DPE7001	O-RING (INLET ADAPTER)	8
	DPE7002	O-RING (STEM)	8
	114-3364	WASHER	8
	1H1023	O-RING	8
	9L9098	CARBON DAM	8
	9L9099	COMPRESSION WASHER (BLACK)	8
	9X2836	BLEED SCREW	8
NOTE: CONTAINS THE PARTS NECESSARY TO REPAIR EIGHT 3208 7000 SERIES INJECTORS.			

DIPACO

An Employee Owned Company

12693 Old Virginia Road Reno, NV 89521 USA
Telephone: (775) 329-7511 ■ Fax: (775) 329-9740
www.dipacotech.com