

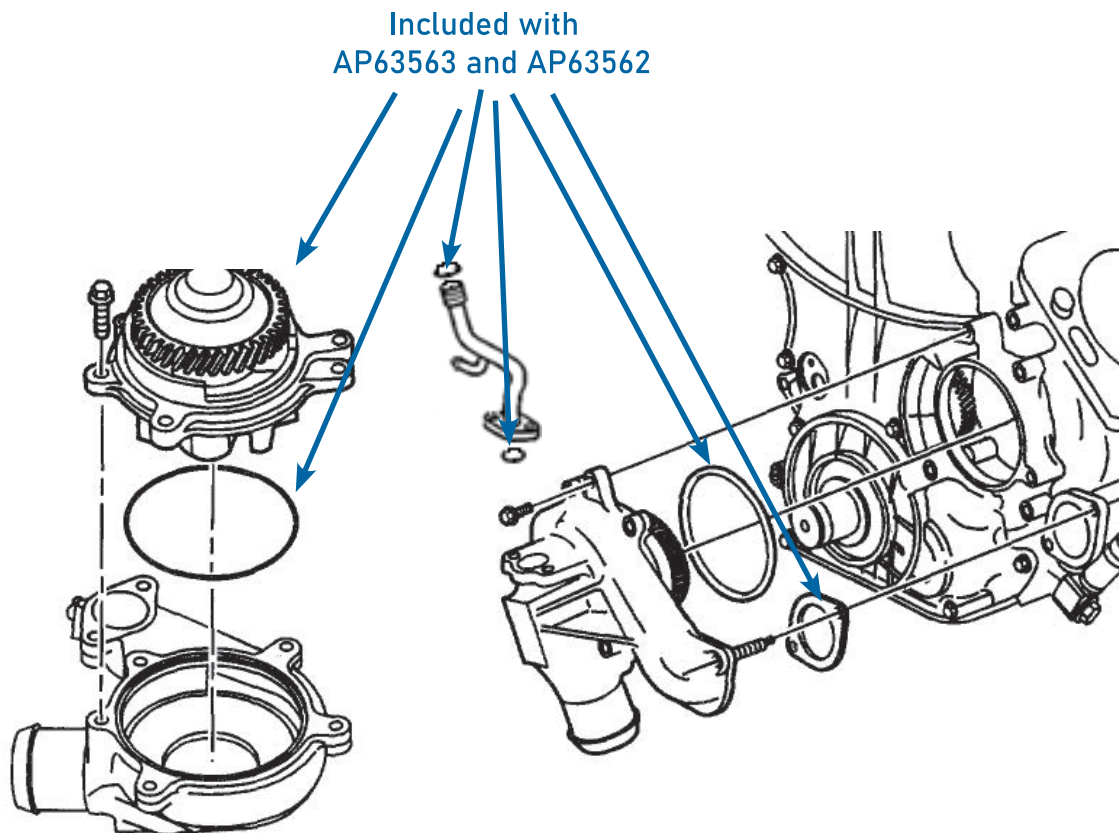
**SUBJECT: 6.6 L Duramax® Coolant Bypass O-rings**

In early October, Alliant Power began including the coolant bypass pipe O-rings with both 6.6 L Duramax water pumps that are offered.

AP63563 and AP63562 Now Include:

- Both water pump mounting O-rings
- Water pump outlet pipe gasket
- Both coolant bypass pipe O-rings

Including these O-rings and gasket with the water pump eases installation by eliminating the need to purchase additional gaskets or O-rings.



For more information visit

**AlliantPower.com**

Alliant Power Technical Support: 800.735.9775 | techsupport@AlliantPower.com