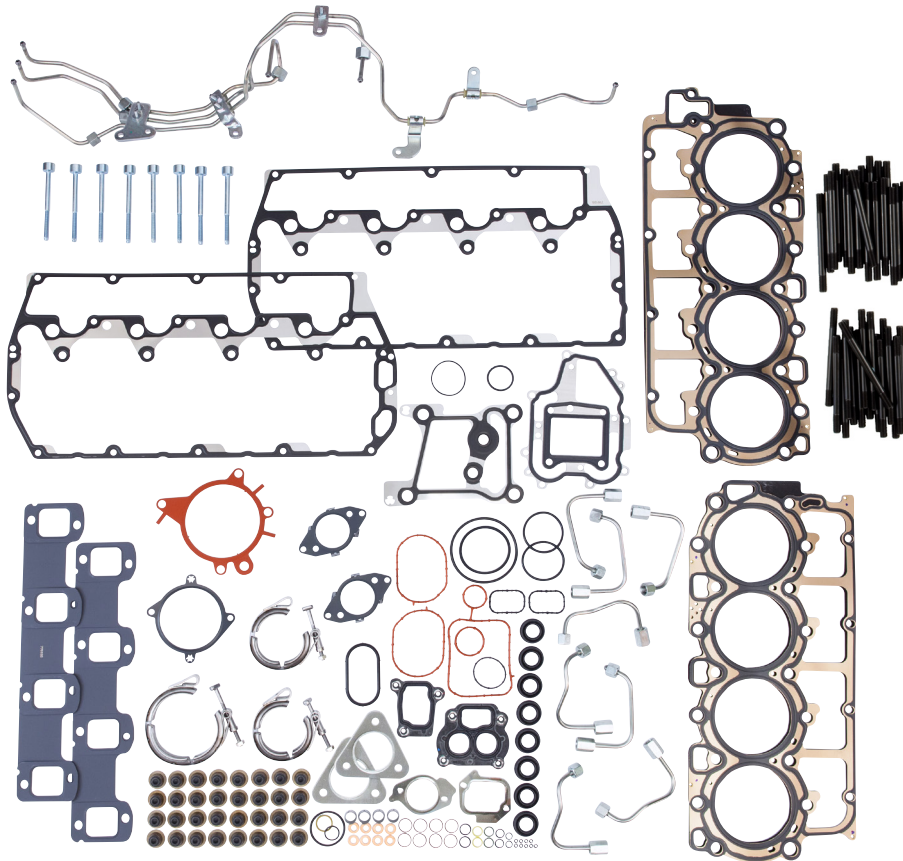


NPA 24/17

**SUBJECT: Ford® 6.7L Power Stroke® Head Gasket Kits**

**November 21, 2017**

Alliant Power is pleased to announce the release of **AP0152** and **AP0153** Head Gasket Kits for the Ford 6.7L Power Stroke. These kits include all the necessary seals and gaskets to install the cylinder heads. AP0152 includes ARP® head studs to replace the factory cylinder head bolts. This kit also includes the one time use fuel rail supply tubes.



**EXCLUSIVE KITS**

AP PART NUMBER <i>With Studs</i>	AP PART NUMBER <i>Without Studs</i>	YEAR RANGE	APPLICATION
AP0152	AP0153	2011–2014	F Series®



**New Product Announcement**