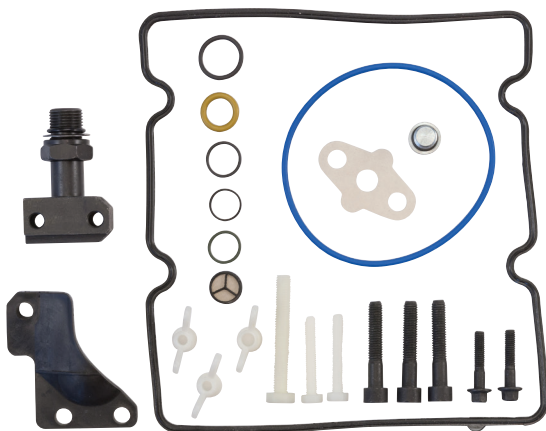


NPA 02/18

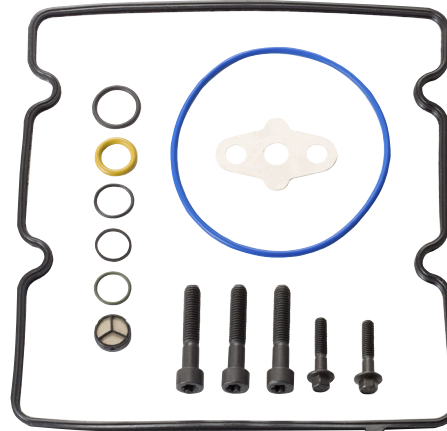
**SUBJECT: High-Pressure Oil Pump (HPOP) Installation Kits
February 05, 2018**

Alliant Power is pleased to announce the release of **AP0098** and **AP0099** High-Pressure Oil Pump (HPOP) Installation Kits for the Ford® and Navistar® applications listed in the table below. AP0098 includes the updated branch tube adapter for vehicles with the original snap-to-connect (STC) fitting.

For further information regarding installation of the updated branch tube adapter, please refer to [APTB 01/18](#).



AP0098



AP0099

AP PART NUMBER	NOTES	YEAR RANGE	APPLICATION	OEM PART NUMBER
AP0098	w/ Fitting	2004½–2007	F Series®, Excursion®	4C3Z9B246F
		2004½–2010	E Series®	
		2004½–2007	VT365	1882361C95
AP0099	w/o Fitting	2004½–2007	F Series, Excursion	N/A
		2004½–2010	E Series	
		2004½–2007	VT365	



New Product Announcement