

SUBJECT: Duramax LGH Exhaust Aftertreatment Product Identification

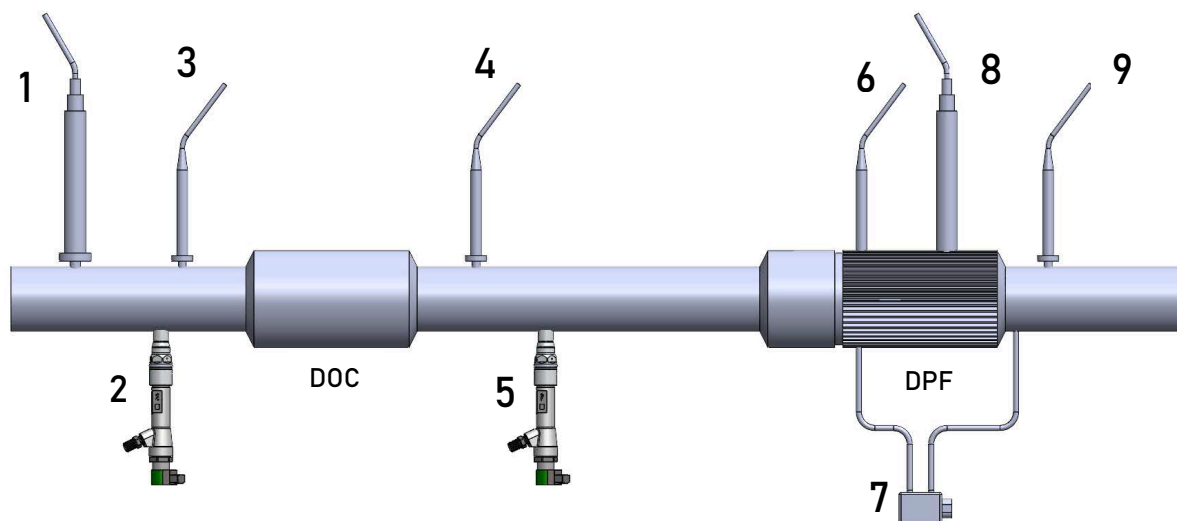


Fig. No.	Part Number	Description	Cross Ref	Year
1	N/A	NOx Sensor 1	N/A	N/A
2	AP63592	Hydrocarbon Injector	19421482, FJ1378, 12661071	2010-2017
3	AP63614	EGT Sensor 1	19418988, 12642451	2010-2017 Van 2011-2012 Pickup
4	AP63613	EGT Sensor 2	12643373	2010-2017 Van 2011-2012 Pickup
5	0 444 021 030	Reductant Injector	12647372	2010-2015 Van 2011-2012 Pickup
6	AP63619	EGT Sensor 3	19418900	2010-2017 Van 2011-2012 Pickup
7	N/A	DPF Pressure Sensor	N/A	N/A
8	N/A	NOx Sensor 2	N/A	N/A
9	AP63619	EGT Sensor 5	19418900	2010-2017 Van 2011-2012 Pickup

**Figure 2 & 5 are not in the new product announcements*