

SUBJECT: Duramax LML Exhaust Aftertreatment Product Identification

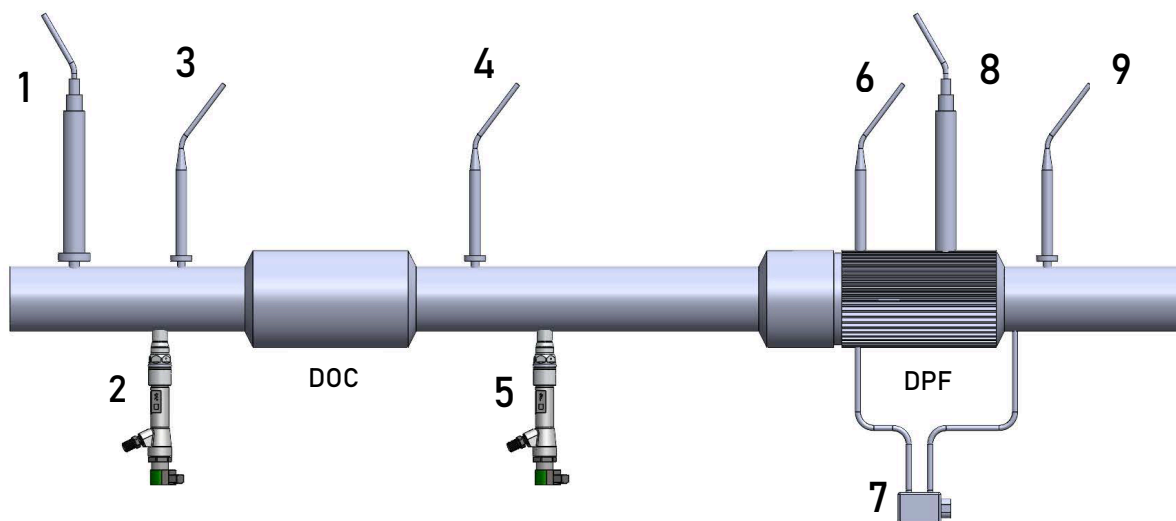


Fig. No.	Part Number	Description	Cross Ref	Year
1	N/A	NOx Sensor 1	N/A	N/A
2	AP63592	Hydrocarbon Injector	19421482, FJ1378, 12661071	2011-2016
3	AP63610	EGT Sensor 1	19418987, 12636612	2011-2016
4	AP63611	EGT Sensor 2	12643246, 12639455, 12636945	2011-2016
5	0 444 021 030	Reductant Injector	12647372	2011-2016
6	AP63612	EGT Sensor 3	19418899, 12622554	2011-2016
7	N/A	DPF Pressure Sensor	N/A	N/A
8	N/A	NOx Sensor 2	N/A	N/A
9	AP63609	EGT Sensor 5	19418898, 12622555	2011-2016

**Figure 2 & 5 are not in the new product announcement*